

GXMH31H

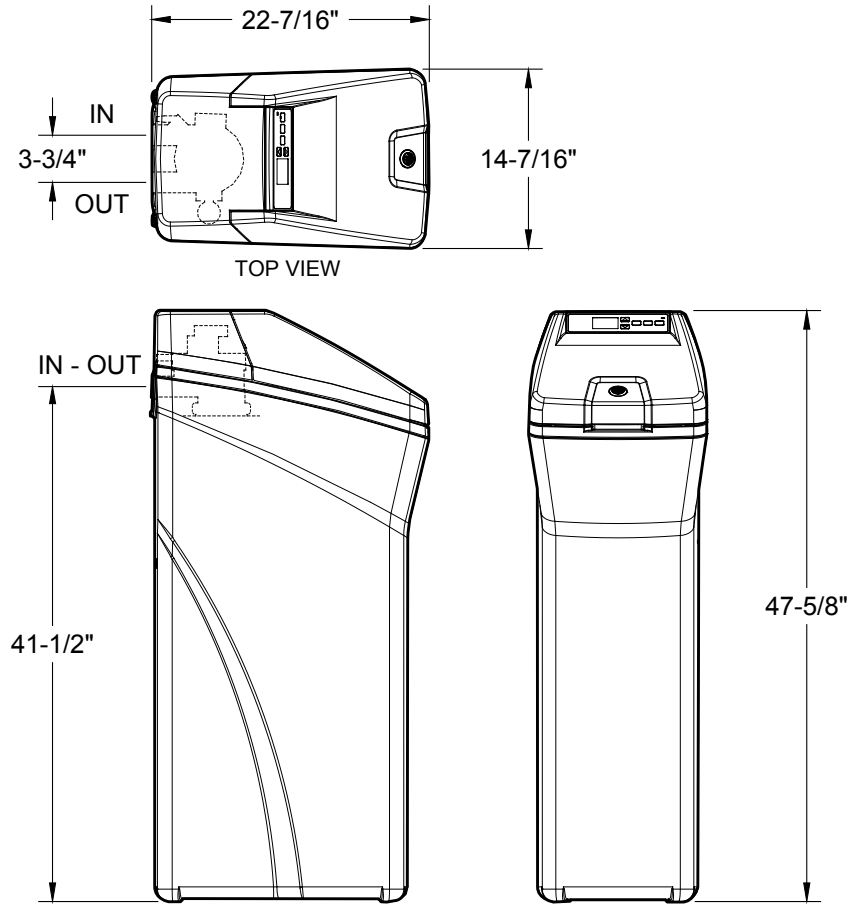
GE® Grain Water Softener and Filter In One

DIMENSIONS AND INSTALLATION INFORMATION (IN INCHES)

SALT CAPACITY: 230 LBS.

IMPORTANT: All units must be installed according to local codes.

NOTE: Before installing, consult installation instructions packed with product for current dimensional data.



Above illustration intended for dimensional reference only.
Refer to photograph for actual product appearance.



GE APPLIANCES

For answers to your Monogram,® GE Profile™ or GE® appliance questions, visit our website at geappliances.com or call GE Answer Center® service, 800.626.2000.

Specification Created 2/15

GXMH31H

GE® Grain Water Softener and Filter In One

FEATURES AND BENEFITS

Reduces chlorine taste and odor with built-in water filtration

Self-cleaning sediment filter protects your home's plumbing

31,100 Grain Capacity

GE Exclusive Custom Select blending valve allows you to select how soft you want your water

GE Exclusive SmartSoft™ technology - Ensures there is always plenty of softened water available by "learning" a family's water-use patterns

GE Exclusive Days to Empty makes sure you never have to guess when to refill the salt tan

Easy to use up-front electronic controls with status light indicator

Efficiency (4230 gpg)

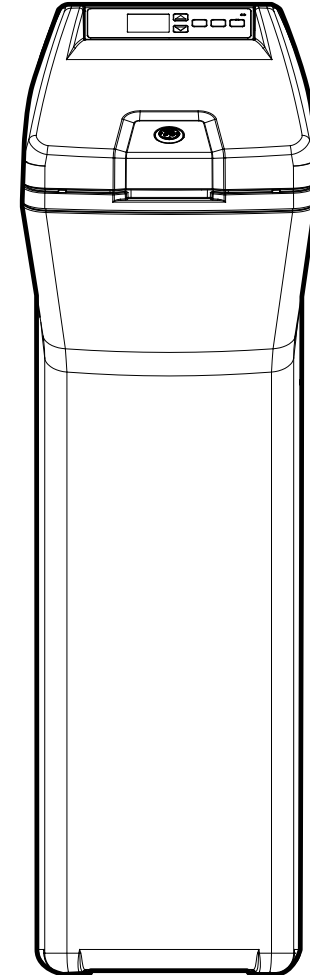
Maximum Hardness Removal (120 gpg) / Maximum Iron Removal (3 ppm)

Salt Capacity (230 lbs)

GE Exclusive Salt Saver helps reduce salt consumption

Plumbing connection up to 1.25"

Model GXMH31H



GE APPLIANCES

For answers to your Monogram,® GE Profile™ or GE® appliance questions, visit our website at geappliances.com or call GE Answer Center® service, 800.626.2000.

Specification Created 2/15