

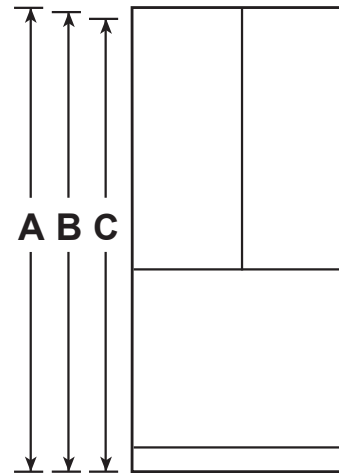
GNE25JGK

GE Appliances ENERGY STAR® 24.8 Cu. Ft. French-Door Refrigerator

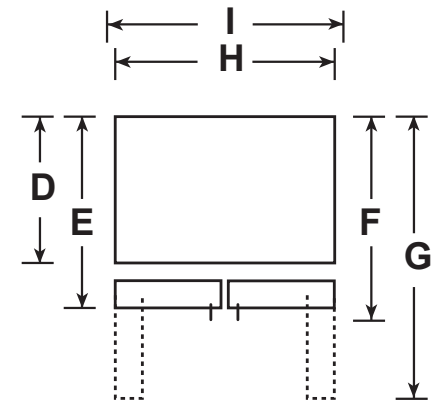
DIMENSIONS AND INSTALLATION INFORMATION (IN INCHES)

OVERALL DIMENSIONS	Height to top of door (in.) A	69-7/8
	Height to top of hinge (in.) B	69-3/4
	Height to top of case (in.) C	68-5/8
	Case depth without door (in.) D	30-5/8
	Case depth less door handle (in.) E	35
	Case depth with door handle (in.) F	37-1/2
	Depth with fresh food door open 90° (in.) G	47-3/4
	Width (in.) H	32-3/4
	Width with door open 90° inc. door handle (in.) I	40-7/8
AIR CLEARANCES	Each side (in.)	1/8
	Top (in.)	1
	Back (in.)	2

FRONT VIEW



TOP VIEW



For answers to your Monogram, GE Café™ Series, GE Profile™ Series or GE Appliances product questions, visit our website at geappliances.com or call GE Answer Center® Service, 800.626.2000.



Listed by
Underwriters
Laboratories



As an ENERGY STAR® partner, GE has determined that this product meets the ENERGY STAR guidelines for energy efficiency.

GNE25JGK

GE Appliances ENERGY STAR® 24.8 Cu. Ft. French-Door Refrigerator

FEATURES AND BENEFITS

33" wide

Internal water dispenser uses MWF replacement filter – Delivers filtered water with one touch

LED lighting – Find exactly what you've been looking for under crisp, clear lighting

Factory-installed icemaker – Refrigerator comes ready to automatically create ice

2 humidity-controlled drawers and 1 full-width adjustable-temperature drawer

Quick Space shelf – Quickly slides out of the way to make room for tall items

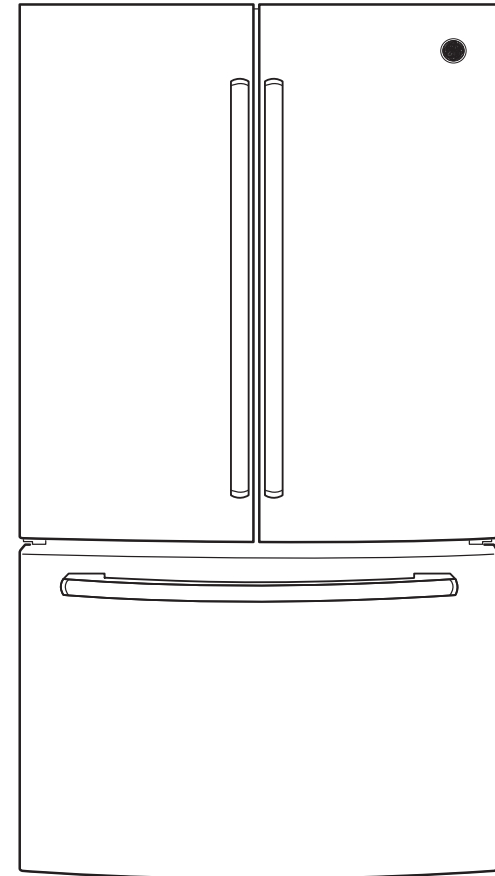
Turbo Cool setting – Drops interior temperature to maintain freshness after frequent openings

Door alarm – Enjoy peace of mind knowing the refrigerator door is never left open

Upfront temperature controls with actual temperature display – Easy-to-reach controls display accurate temperatures

Model GNE25JGKBB – Black

Model GNE25JGKWW – White



As an ENERGY STAR® partner, GE has determined that this product meets the ENERGY STAR guidelines for energy efficiency.