

JNM3184

GE® 1.8 cu. ft. Over-the-Range Microwave Oven with Recirculating Venting

DIMENSIONS AND INSTALLATION INFORMATION (IN INCHES)

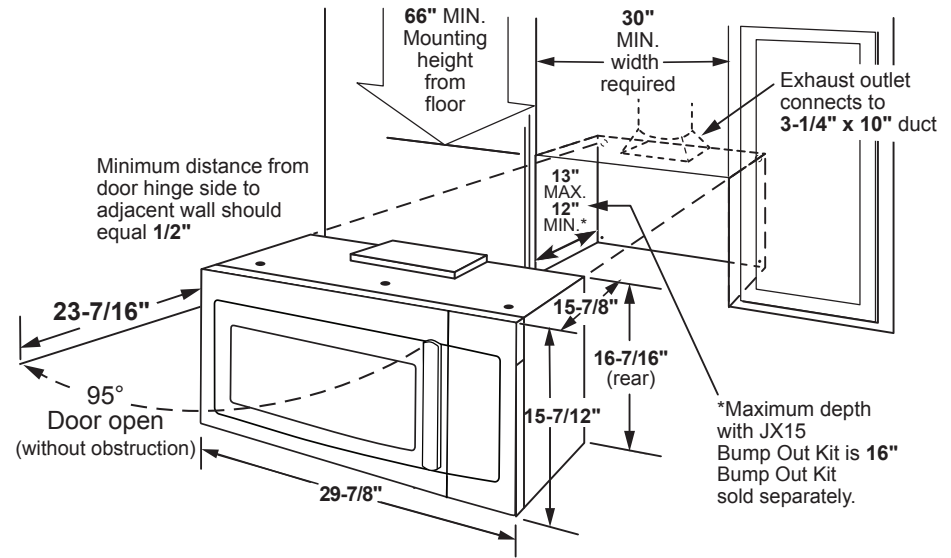
NOTE: Requires 120V grounded outlet. Electrical receptacle must be located in cabinet above microwave oven. No additional wiring, venting or cabinet rebuilding necessary in many cases. Complete detailed, easy-to-follow installation instructions and convenient full-size templates are packed with the microwave oven.

IMPORTANT INFORMATION: When installing the microwave oven over a range, allow minimum of 2" from bottom of microwave oven to top of range backguard to allow for removal of light covers.

VENTILATION OPTIONS: The Spacemaker microwave ovens are designed for adaptation to the following three types of ventilation:

- Outside exhaust (vertical – as shown)
- Outside exhaust (horizontal)
- Recirculating (non-vented ductless – see Filter Kit drawing)

INSTALLATION INFORMATION: This information is not intended to be used for installing unit described. Before installing, consult installation instructions packed with product/kit for current dimensional data.



For answers to your Monogram, GE Café™, GE Profile™ or GE Appliances product questions, visit our website at geappliances.com or call GE Answer Center® Service, 800.626.2000.



Specification Created 10/20

JNM3184

GE® 1.8 cu. ft. Over-the-Range Microwave Oven with Recirculating Venting

DIMENSIONS AND INSTALLATION INFORMATION (IN INCHES)

HOOD EXHAUST DUCT: Outside ventilation requires a **HOOD EXHAUST DUCT**. Read the following carefully.

EXHAUST CONNECTION: The hood exhaust has been designed to mate with a standard 3-1/4" x 10" rectangular duct. If a round duct is required, a rectangular-to-round transition adaptor must be used. Do not use less than a 6" diameter duct.

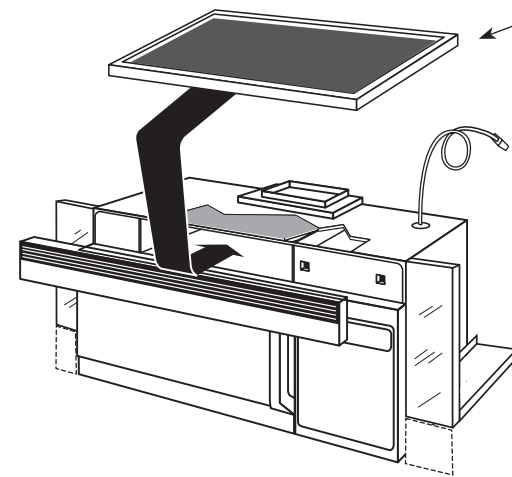
REAR EXHAUST: If a rear or horizontal exhaust is to be used, care should be taken to align exhaust with space between studs, or wall should be prepared at the time it is constructed by leaving enough space between the wall studs to accommodate exhaust.

MAXIMUM DUCT LENGTH: For satisfactory air movement, the total duct length of 3-1/4" x 10" rectangular or 6" diameter round duct should not exceed 120 equivalent feet.

ELBOWS, TRANSITIONS, WALL AND ROOF CAPS, etc., present additional resistance to airflow and are equivalent to a section of straight duct which is longer than their actual physical size. When calculating the total duct length, add the equivalent length of all transitions and adaptors plus the lengths of all straight duct sections. The chart below shows the approximate feet of equivalent length of some typical ducts.

DUCT	EQUIVALENT FEET
A. Rectangular-To-round Transition Adaptor	5 ft.
B. Wall Cap	40 ft.
C. 90° Elbow	25 ft.
D. 45° Elbow	5 ft.
E. 90° Elbow	10 ft.
F. 45° Elbow	5 ft.
G. Roof Cap	24 ft.

OPTIONAL ACCESSORIES (AVAILABLE AT ADDITIONAL COST)



**FILTER KIT
WB06X10608
RECIRCULATING
CHARCOAL FILTER KIT**
To be used when the microwave oven cannot be vented to the outside.



For answers to your Monogram, GE Café™, GE Profile™ or GE Appliances product questions, visit our website at geappliances.com or call GE Answer Center® Service, 800.626.2000.



JNM3184

GE® 1.8 cu. ft. Over-the-Range Microwave Oven with Recirculating Venting

FEATURES AND BENEFITS

Large Capacity – Have enough space to make all your family's favorites thanks to the 1.8 cubic foot capacity, which easily handles dinner plates, soup bowls and microwave-safe containers.

High Power – Make everything from soups to snacks in a snap thanks to 900 watts of power, which cuts down on cook times so you can get back to what matters most.

2-Speed Ventilation – Keep small spaces clear of cooking odors, steam and smoke with a 300-CFM ventilation system and 2-speed fan.

Add 30 Seconds Button – Easily add cooking time with a single touch.

Removable Charcoal Filter – Help keep your small space smelling fresh with a removable charcoal air filter that helps purify the air of stale odors.

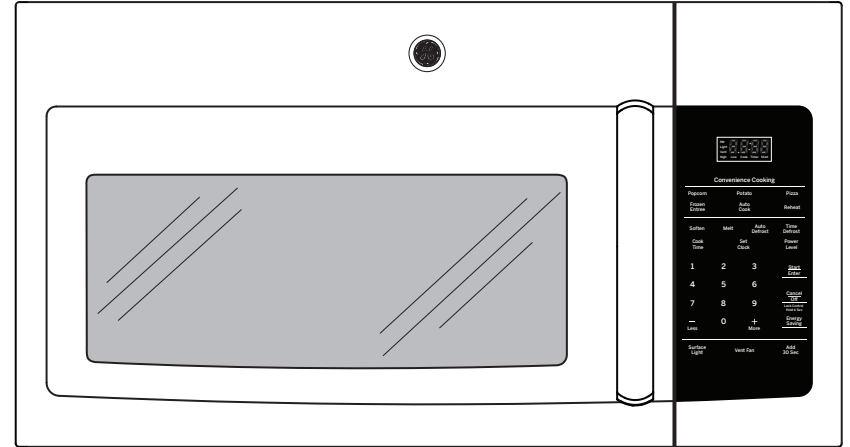
Convenience Cooking Buttons – Take the guesswork out of popular microwave foods like popcorn and hot beverages with easy-to-find buttons that adjust settings for you.

12.8" Turntable – Enjoy an even microwave cook with a rotating turntable large enough for a full-sized dinner plate.

10 Power Levels – Get perfect results every time you microwave with multiple power levels available at the touch of a button.

Model JNM3184RPSS – Stainless Steel

Model JNM3184DPBB – Black



For answers to your Monogram, GE Café™, GE Profile™ or GE Appliances product questions, visit our website at geappliances.com or call GE Answer Center® Service, 800.626.2000.

