

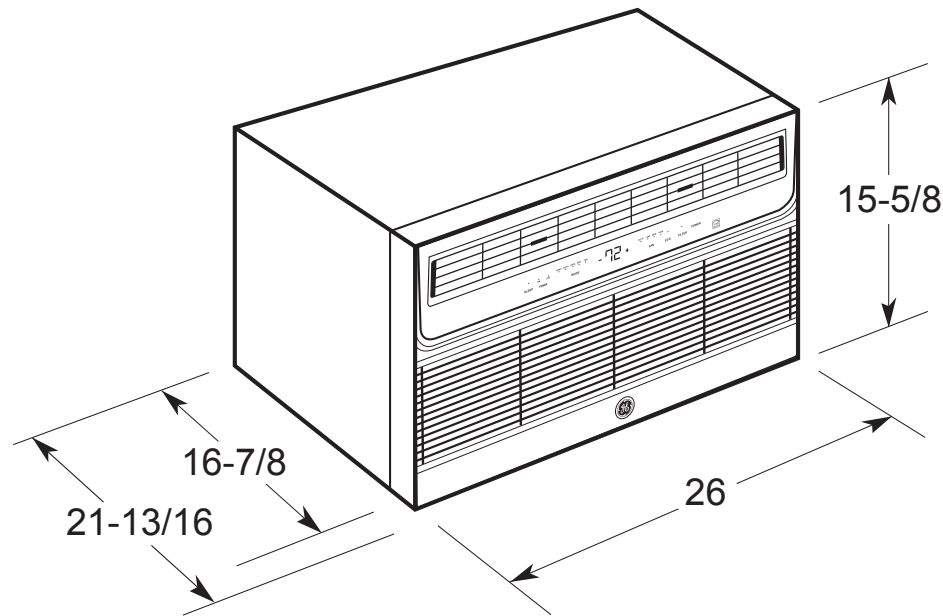
AJEQ10DCH

GE® 230/208 Volt Built-In Heat/Cool Room Air Conditioner

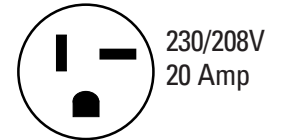
WALL CASE DIMENSIONS AND INSTALLATION INFORMATION (IN INCHES)

NOTE: When installing slide-out chassis units in through-the-wall applications, keep louvers free. Do not restrict air flow areas.

NOTE: This unit is not intended to be the primary source of heat.



Perpendicular



For answers to your Monogram, GE Cafe™, GE Profile™ or GE Appliances product questions, visit our website at geappliances.com or call GE Answer Center® Service, 800.626.2000.



Total volume and shelf area are calculated by the Association of Home Appliance Manufacturers standards.



Listed by Underwriters Laboratories

AJEQ10DCH

GE® 230/208 Volt Built-In Heat/Cool Room Air Conditioner

WALL CASE DIMENSIONS AND INSTALLATION INFORMATION (IN INCHES)

INSTALLATION INFORMATION: A finished opening of 26-1/8" x 15-3/4" clear of intrusions is required. Keep clearance of 4" from side walls. Brick veneer or frame walls should have wood studding surrounding case to provide firm anchoring with screws. Case can be fastened directly to brick or block walls with screws sunk in lead expansion shields.

NOTE: Units should be caulked on all four sides of case to the building exterior to assure building integrity.

TWO WALL CASES FOR TENANT OPTION INSTALLATION

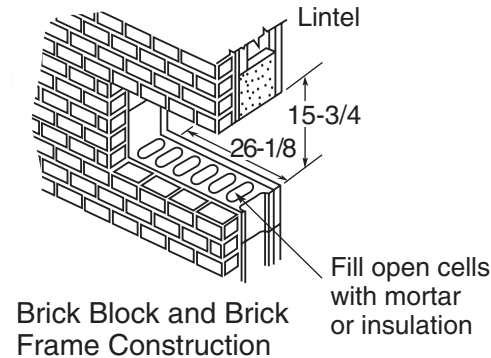
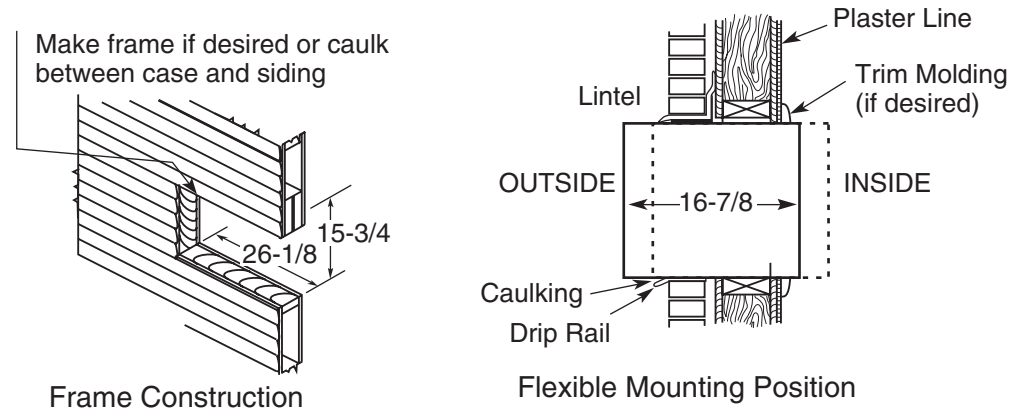
When the air conditioner is offered as a tenant option, these wall cases provide protection against outside elements.

RAB47 – includes wall case, exterior grille and steel closure panels.

RAB48 – includes wall case, exterior grille, steel closure panel and two layers of insulation.

STANDARD WALL CASE RAB46

Solid-sided wall case fabricated of galvanized steel with baked enamel finish. Welded areas are coated with a sealing compound to help resist rust and corrosion. Polymer gasket surrounds opening to assure tight weather seal. Aluminum grille (RAG13) is included. Panels on interior and between case and grille provide weather protection prior to installation of chassis. Provide firm anchoring with screws. Case can be fastened directly to brick or block walls with screws sunk in lead expansion shields.



For answers to your Monogram, GE Cafe™, GE Profile™ or GE Appliances product questions, visit our website at geappliances.com or call GE Answer Center® Service, 800.626.2000.



Total volume and shelf area are calculated by the Association of Home Appliance Manufacturers standards.



Listed by Underwriters Laboratories

AJEQ10DCH

GE® 230/208 Volt Built-In Heat/Cool Room Air Conditioner

FEATURES AND BENEFITS

True Built In Design – The ultimate fit & finish for more usable space and the best in built-in installation. Sleeve and chassis are perfectly integrated, creating a seamless fit without leaks or gaps

Premium Guard Seacoast Protection – Premium Seacoast Protection on heat/cool models has special coatings and double coats of paint on key components including coils, base pan, compressor and stainless screws

Premium Finish – Bright, clean color & a decorative metallic silver accent encasing the air discharge louver, provide an overall sleek appearance

Electronic Cap Touch Controls – Controls offer a high-end and smooth to-the-touch panel

Large LCD Auto-Dimming Display - Intuitive & large white LCD display can be easily seen from anywhere in the room. Convenient Auto-Dimming feature provides ambient lighting during the night

Slim Room Front – A slim room front provides more usable space in the room. It's the sleekest design in the industry

ECO Mode – Innovative mode where the fan cycles off during cooling intervals, creating energy savings while keeping the room comfortable

Dry Mode – Designed for humid environments, it helps provide a dryer & more comfortable atmosphere with room-air dehumidification

Auto Mode – Automatically select heating or cooling mode and fan speed to maintain the current temperature setpoint. It monitors the room temperature for optimal comfort

3-Speed Fan – Select High, Medium, Low or Auto Setting to achieve the best in air comfort & ultimate flexibility. Available on heat-cool models

6-Way Directional Airflow – Direct where the air flows with up to 6 directional vents—cooling and/or heating the areas of the room that need it the most

Washable Filter – Easy to remove and rinse clean, the filter helps remove dust and other particles from transmitting in the air—providing a cleaner environment

Remote Control Included – Slim, intuitive and easy to use, the remote control enables adjusting temperatures and settings conveniently from anywhere in the room

Quiet Performance – Designed & engineered by GE Appliances for ultra-quiet comfort

Commercial Grade – Designed for durability with high-grade components and tested for long performance

Model AJEQ10DCH – Soft Gray

