

# GDT630PFM/PMM/PSM

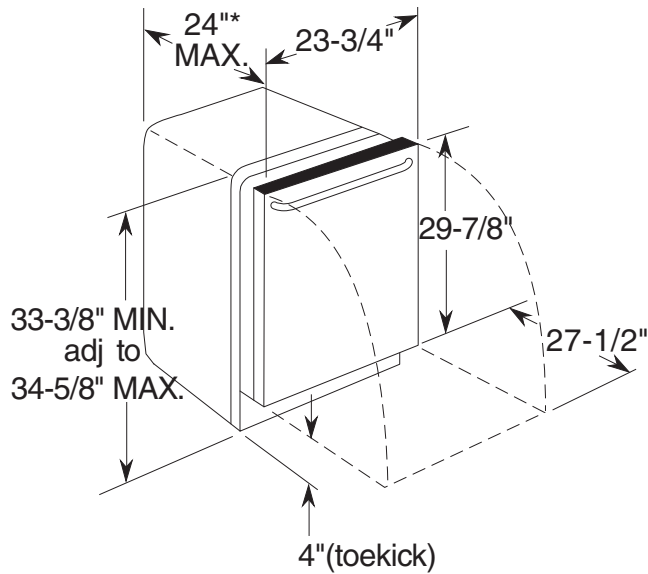
## GE® Dishwasher with Hidden Controls

### DIMENSIONS AND INSTALLATION INFORMATION (IN INCHES)

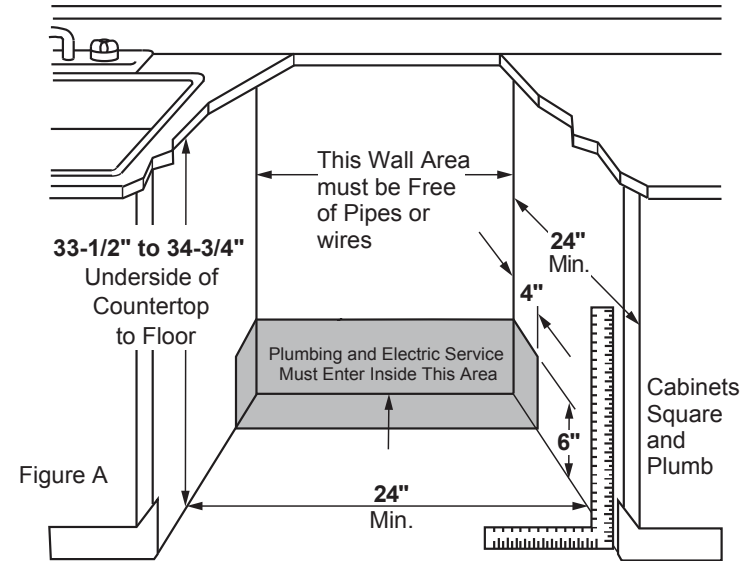
#### ELECTRICAL RATING

Voltage AC.....	120
Hertz.....	60
Total connected load amperage.....	7.1
Calrod® heater watts.....	800/500

For use on adequately wired 120-volt, 15-amp circuit having 2-wire service with a separate ground wire. This appliance must be grounded for safe operation.



\*Add 2.4" for handle.



For answers to your Monogram, GE Café™ Series, GE Profile™ Series or GE Appliances product questions, visit our website at [geappliances.com](http://geappliances.com) or call GE Answer Center® Service, 800.626.2000.



Listed by Underwriters Laboratories



As an ENERGY STAR® partner, GE has determined that this product meets the ENERGY STAR guidelines for energy efficiency.

# GDT630PFM/PMM/PSM

## GE® Dishwasher with Hidden Controls

### FEATURES AND BENEFITS

**3rd Rack** – Easily clean an entire flatware collection, knives and small utensils with an additional rack across the top of the dishwasher

**Dry Boost** – Gets hard-to-dry items up to 3 times dryer than standard dry cycles

**4 Bottle Wash Jets** – Clean hard-to-reach areas inside tall items with up to 4 dedicated jets integrated into the upper rack that shower water deep inside for the ultimate clean

**Wash Zones** – Wash a true half-load in either the upper or lower rack without sacrificing cycles and options available on a full wash

**Three-level 600 Series Wash System** – Get full wash coverage from three pressurized wash zones.

**Steam + Sani** – Loosens tough soils before any cycle virtually eliminating the need for soaking or pre-rinsing dishes. Plus a High-temperature rinse sanitizes and reduces 99.999% of bacteria found on dishes

**Dedicated Silverware Jets** – Get table-ready silverware thanks to powerful jets that focus on silverware baskets

**Piranha Hard Food Disposer** – To ensure consistently clean items, this stainless steel blade rotates at 3,600 RPM to pulverize food particles and helps to prevent large particles from clogging the wash arms

**Adjustable Upper Rack** – Fitting plates up to 10-1/2" and other tall items in the upper rack is possible with an adjustment

**1 Hr Wash** – Enjoy a quality clean when you're short on time

dBA50

Model GDT630PFMDS – Black Slate

Model GDT630PMMES – Slate

Model GDT630PSMSS – Stainless Steel

