

# GDP665SYN

## GE® Stainless Steel Interior Dishwasher with Hidden Controls

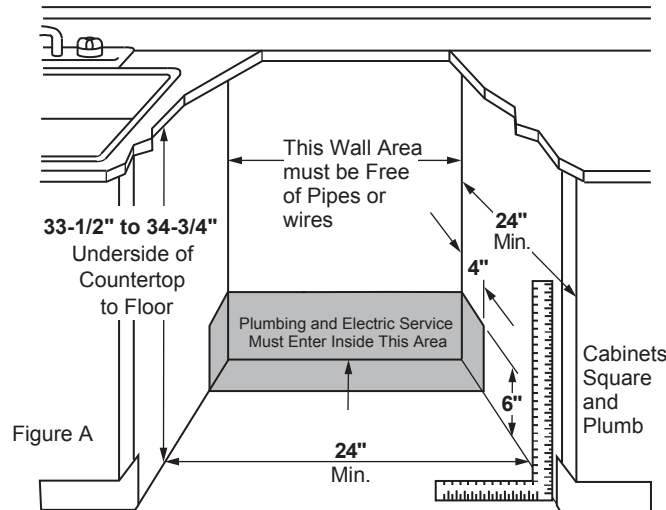
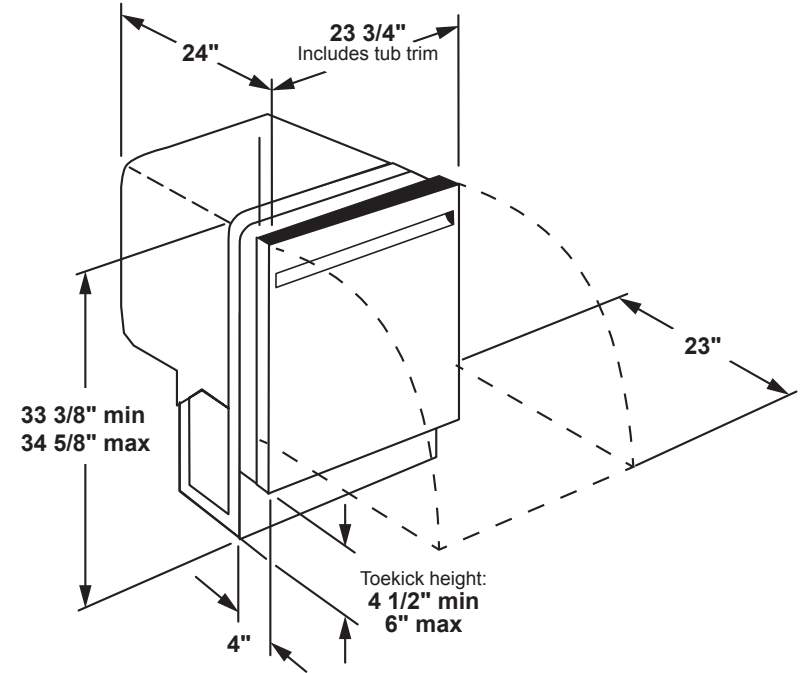
### DIMENSIONS AND INSTALLATION INFORMATION (IN INCHES)

#### ELECTRICAL RATING

Voltage AC.....	120
Hertz.....	60
Total connected load amperage.....	6.6
Calrod® heater watts max.....	800/500

For use on adequately wired 120-volt, 15-amp circuit having 2-wire service with a separate ground wire. This appliance must be grounded for safe operation.

**INSTALLATION INFORMATION:** Before installing, consult installation instructions packed with product for current dimensional data.



For answers to your GE Profile™ Series or GE Appliances product questions, visit our website at [geappliances.com](http://geappliances.com) or call GE Answer Center® Service, 800.626.2000.



Listed by  
Underwriters  
Laboratories



As an ENERGY STAR® partner, GE has determined that this product meets the ENERGY STAR guidelines for energy efficiency.

# GDP665SYN

## *GE® Stainless Steel Interior Dishwasher with Hidden Controls*

### **FEATURES AND BENEFITS**

Dry Boost™ with Fan Assist – Gets hard-to-dry items up to 3 times drier than heated dry cycles \*Compared to heated dry option

Bottle Jets – Clean hard-to-reach areas inside tall items with up to 4 dedicated jets integrated into the upper rack that shower water deep inside for the ultimate clean

3rd Rack – Easily clean an entire flatware collection, knives and small utensils with an additional rack across the top of the dishwasher

Steam + Sani – Loosens tough soils before any cycle virtually eliminating the need for soaking or pre-rinsing dishes. Plus a High-temperature rinse sanitizes and reduces 99.999% of bacteria found on dishes

1 Hour Wash - Enjoy a quality clean when you're short on time

Fingerprint Resistant Stainless – Easily wipe away smudges and fingerprints for a look that's always sparkling clean

Adjustable Full-extension smooth-glide upper rack – Loading and unloading is smooth and simple with a durable rack that fully extends on ball bearings

Piranha Hard Food Disposer – To ensure consistently clean items, this stainless steel blade rotates at 3,600 RPM to pulverize food particles and helps to prevent large particles from clogging the wash arms

AutoSense cycle – Automatically adjusts to soil level to maximize energy savings and ensure clean dishes

16 Place Setting Capacity – Easily clean dishes after large gatherings thanks to extra capacity that holds up to 16 place settings

46 dBA – Ultra-quiet operation creates a peaceful kitchen environment even as it delivers powerful wash performance

Model GDP665SYNFS – Fingerprint Resistant Stainless

