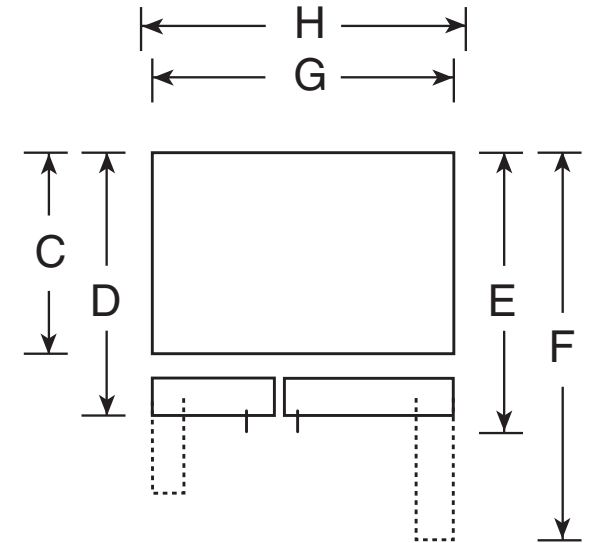
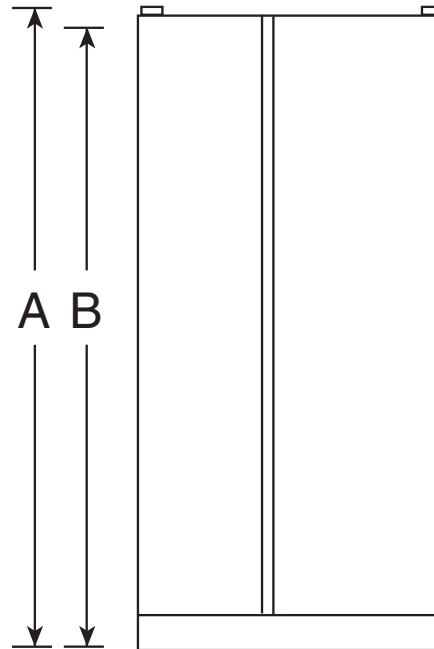


# GSE25GSH

## GE Appliances ENERGY STAR® 25.4 Cu. Ft. Side-By-Side Refrigerator with Dispenser

### DIMENSIONS AND INSTALLATION INFORMATION (IN INCHES)

Overall Dimensions	Height to top of hinge (in.) A	69-1/2
	Height to top of case (in.) B	69
	Case depth without door (in.) C	28-1/2
	Case depth less door handle (in.) D	32-3/4
	Case depth with door handle (in.) E	35-1/4
	Depth with fresh food door open 90° (in.) F	50-1/2
	Width (in.) G	35-3/4
	Width with door open 90° inc. door handle (in.) H	43-1/2
Air	Each side (in.)	1/8
	Top (in.)	1
	Back (in.)	2



For answers to your Monogram, GE Café™ Series, GE Profile™ Series or GE Appliances product questions, visit our website at [geappliances.com](http://geappliances.com) or call GE Answer Center® Service, 800.626.2000.



Listed by  
Underwriters  
Laboratories



As an ENERGY STAR® partner, GE has determined that this product meets the ENERGY STAR guidelines for energy efficiency.

# GSE25GSH

## *GE Appliances ENERGY STAR® 25.4 Cu. Ft. Side-By-Side Refrigerator with Dispenser*

### **FEATURES AND BENEFITS**

Integrated shelf support system – Provides strong, flexible support

Adjustable slide-out, spillproof glass shelves – Raised edges help contain spills and make cleanup quick and easy

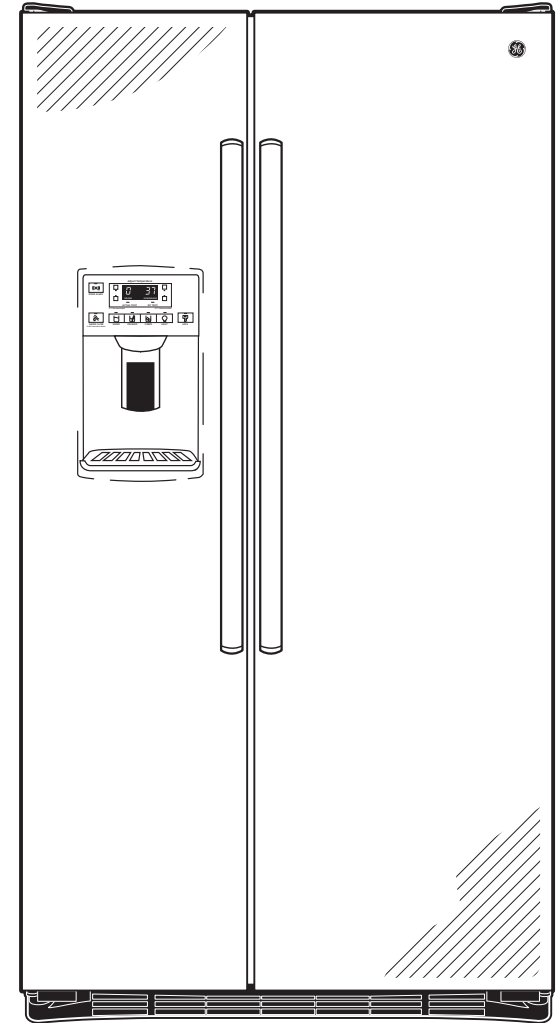
Fresh food multi-level drawers – Provide the ideal environment for storing your fruits and vegetables

Adjustable gallon door bins – Offer ideal space for storing gallon containers in the door

Arctica icemaker – A special access door puts ice within reach

Advanced water filtration uses MWF replacement filter – Reduces trace pharmaceuticals from water and ice\* (\* Removes 98% of ibuprofen, atenolol, fluoxetine, progesterone and trimethoprim. These pharmaceuticals are not necessarily in all users' water)

Model GSE25GSHSS – Stainless steel



As an ENERGY STAR® partner, GE has determined that this product meets the ENERGY STAR guidelines for energy efficiency.