



RV AIR CONDITIONER

SAFETY INFORMATION3

INSTALLATION INSTRUCTIONS

Before You Begin4

Tools You will Need4

RARMN_ _ Parts List5

RAREN_ _ Parts List6

RARED_ _ Parts List7

Roof Requirements8

Roof Requirements and Prep9

Electrical Requirements9

Placing Unit on Roof9

Installing Unit10

Electrical Control Installation 11

USING THE AIR CONDITIONER

Controls12

Air Direction13

Normal Operating Sounds13

CARE AND CLEANING

Indoor Panel14

Air Filter14

Annual Maintenance14

TROUBLESHOOTING.....15

SCHEMATIC DIAGRAMS16

LIMITED WARRANTY17

CONSUMER SUPPORT18

OWNER'S MANUAL

- Rooftop Units:
- ARC13AAC_
 - ARC15AAC_
 - ARC13AHC_
 - ARH15AAC_
- Indoor Assemblies
- RARMN_ _
 - RAREN_ _
 - RARED_ _

ENGLISH

Write the model and serial numbers here:

Model # _____

Serial # _____

You can find them on a label on the air conditioner.

THANK YOU FOR MAKING GE APPLIANCES A PART OF YOUR RV

Whether you grew up with GE Appliances, or this is your first, we're happy to have you in the family.

We take pride in the craftsmanship, innovation and design that goes into every GE Appliances product, and we think you will too. Among other things, registration of your appliance ensures that we can deliver important product information and warranty details when you need them.

Register your GE appliance now online. Helpful websites and phone numbers are available in the Consumer Support section of this Owner's Manual.



IMPORTANT SAFETY INFORMATION

READ ALL INSTRUCTIONS BEFORE USING THE APPLIANCE

⚠ WARNING For your safety, the information in this manual must be followed to minimize the risk of fire, electric shock or personal injury.

- Use this appliance only for its intended purpose as described in this Owner's Manual.
- This air conditioner must be properly installed in accordance with the Installation Instructions before it is used.
- Replace immediately all electric service cords that have become frayed or otherwise damaged.
- Turn the unit OFF and disconnect all power to the vehicle before cleaning and servicing.
- To avoid risk of injury or property damage, the air conditioner should only be serviced by a qualified servicer who holds a current valid certificate from an industry-accredited assessment authority, which authorizes their competence to handle refrigerants safely in accordance with industry recognized assessment specifications.
- For your safety, do not store or use combustible materials, gasoline or other flammable vapors or liquids in the vicinity of this or any other appliance.
- All air conditioners contain refrigerants, which under federal law must be removed prior to product disposal. If you are getting rid of an old product with refrigerants, check with the company handling disposal about what to do.
- These R410A air conditioning systems require contractors and technicians to use tools, equipment and safety standards approved for use with this refrigerant. DO NOT use equipment certified for R22 refrigerant only.

READ AND SAVE THESE INSTRUCTIONS

Installation Instructions

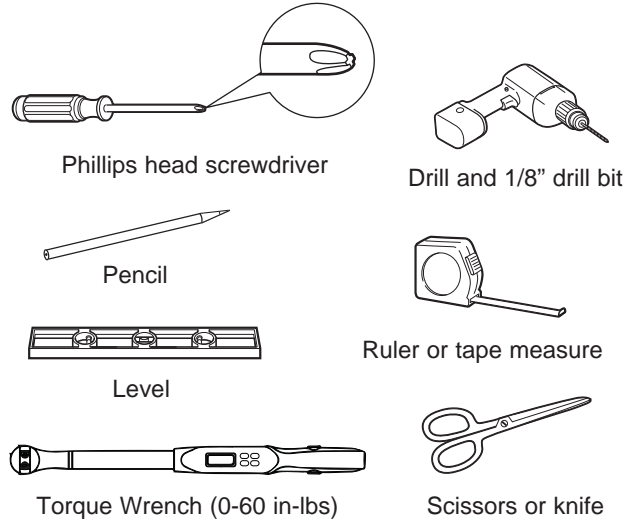
Questions? Call 1-877-540-7837 or Visit our Website at: GEAppliances.com

BEFORE YOU BEGIN

Read these instructions completely and carefully.

- Save these instructions for local inspector's use.
- Observe all governing codes and ordinances.
- **Note to Installer** – Be sure to leave these instructions with the Consumer.
- **Note to Consumer** – Keep these instructions for future reference.
- **Skill level** – Installation of this appliance requires a qualified RV technician.
- **Completion time** – Approximately 1 hour
- We recommend that two people install this product.
- Proper installation is the responsibility of the installer.
- Product failure due to improper installation is not covered under the Warranty.
- You **MUST** use all supplied parts and use proper installation procedures as described in these instructions when installing this air conditioner.

TOOLS YOU WILL NEED



⚠ CAUTION

Be cautious of sharp edges as they may cause injury. When lifting the air conditioner, use 2 people to lift. Electrical wiring may be present between roof and ceiling. Be sure that power is disconnected at the mains and battery. Be sure that the gas supply is shut off. Failure to do so may result in injury or death.

Table #1 - Model Compatibility List

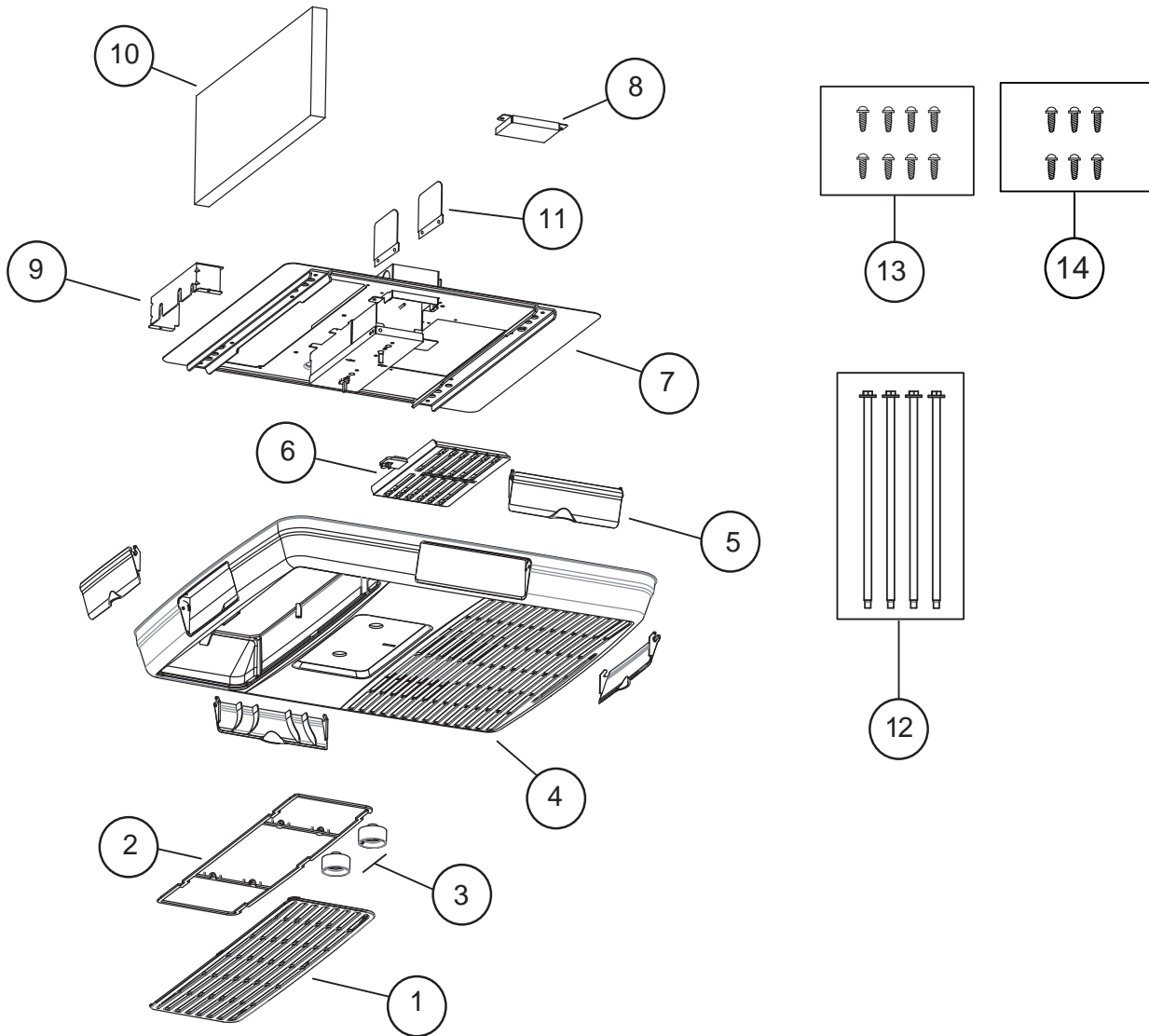
Outdoor Units	Indoor Units			Breaker Size
	RARMN__ Mechanical Non-Ducted	RAREN__ Electronic Non-Ducted	RARED__ Electronic Ducted	
ARC13AHC_	✓	✓	✓	15A
ARC13AAC_	✓	✓	✓	20A
ARC15AAC_	✓	✓	✓	20A
ARH15AAC_		✓	✓	20A

	Indoor Units		
	RARMN__ Mechanical Non-Ducted	RAREN__ Electronic Non-Ducted	RARED__ Electronic Ducted
Elec. Control RARMC__ RAREC__		✓	✓
Wall Thermostat RARWT__		✓	✓

Installation Instructions

RARMN_ - Mechanical Non-Ducted

Check the contents of the accessories supplied with your air conditioner as shown below:

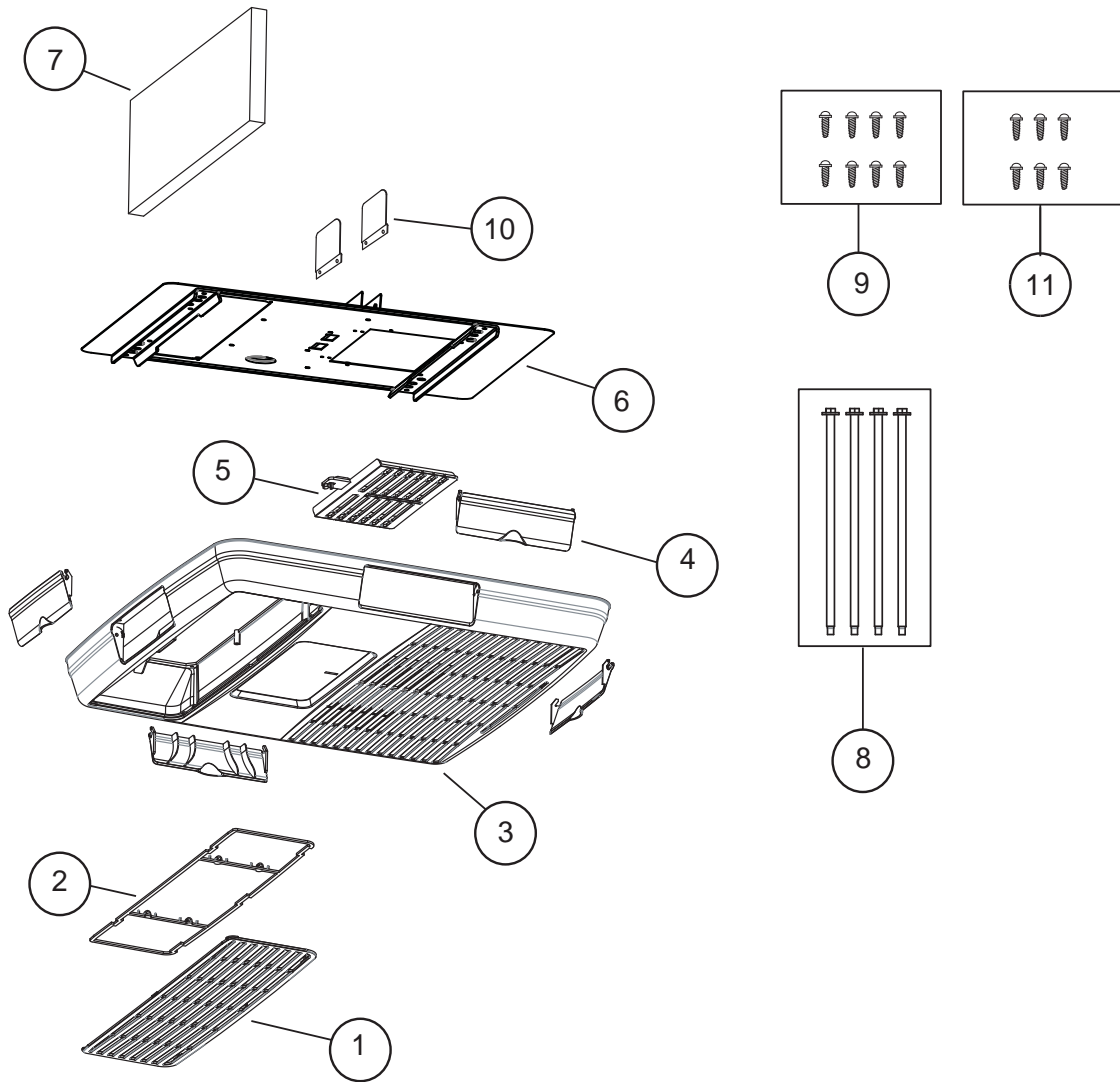


Number	Part Name	QTY.
1	Filter Retainer	1
2	Filter	1
3	Knobs	2
4	Ceiling Panel	1
5	Side Discharge Ports	4
6	Direct Discharge Guide	1
7	Mounting template	1
8	Junction Box Cover	1
9	Connection Shield	1
10	Air division baffle	1
11	Baffle retainer plates	2
12	M8 Mounting Bolts	4
13	Wood screws	8
14	Sheet metal screws	6

Installation Instructions

RAREN__ - Electronic Non-Ducted

Check the contents of the accessories supplied with your air conditioner as shown below:

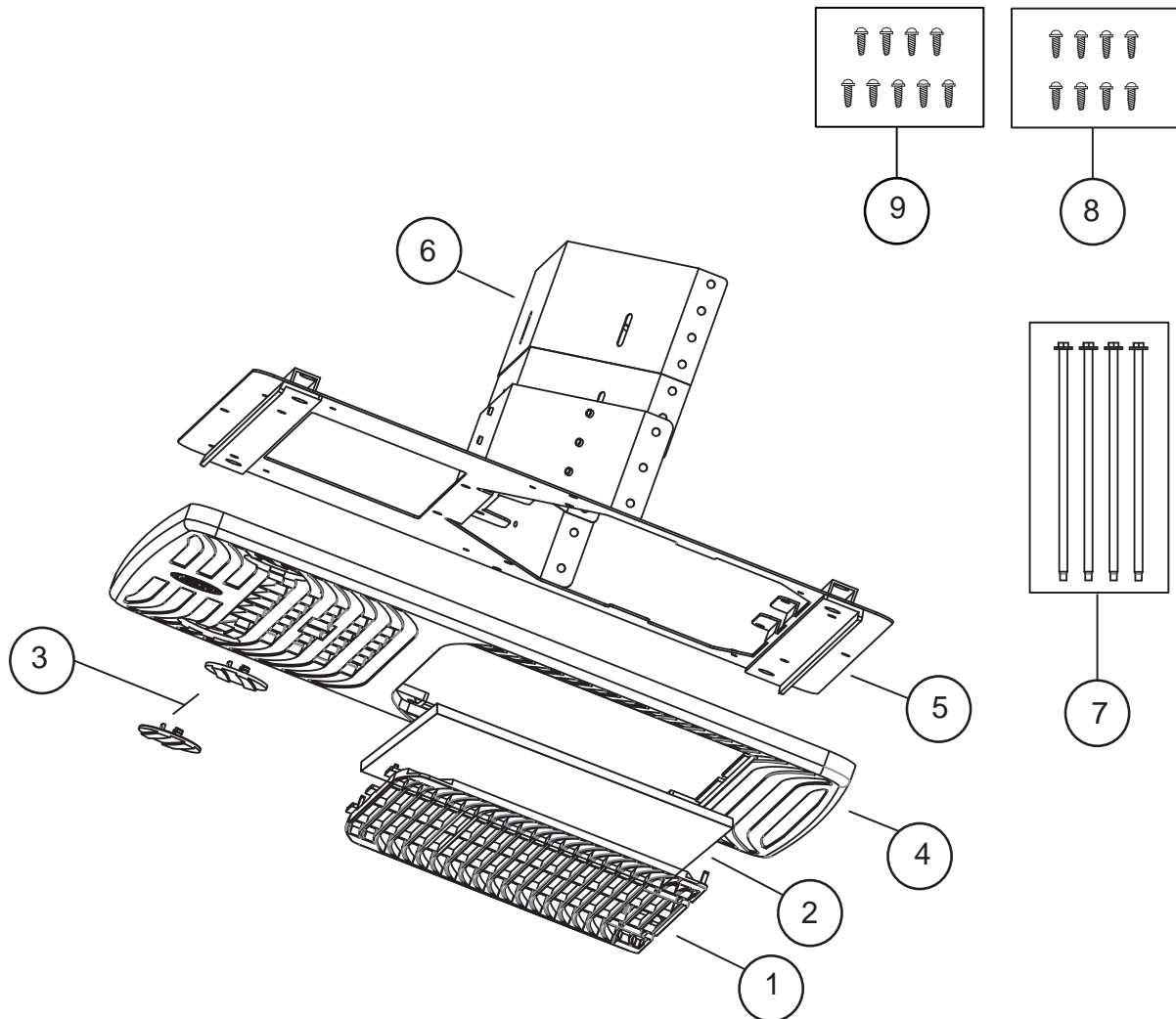


Number	Part Name	QTY.
1	Filter Retainer	1
2	Filter	1
3	Ceiling Panel	1
4	Side Discharge Ports	4
5	Direct Discharge Guide	1
6	Mounting template	1
7	Air division baffle	1
8	M8 Mounting Bolts	4
9	Wood screws	8
10	Baffle retainer plates	2
11	Sheet metal screws	6

Installation Instructions

RARED_ - Electronic Ducted

Check the contents of the accessories supplied with your air conditioner as shown below:



Number	Part Name	QTY.
1	Filter Retainer	1
2	Filter	1
3	Screw Cover (left and right)	2
4	Ceiling Panel	1
5	Mounting template	1
6	Air division baffle	1
7	M8 Mounting Bolts	4
8	Wood Screws	8
9	Sheet metal screws	9

Installation Instructions

⚠ WARNING ELECTRICAL SHOCK HAZARD

Death or serious injury can result from failure to follow these instructions.

- Disconnect 115VAC and 12VDC power supply before beginning installation and/or servicing
- Ensure product is properly grounded according to the applicable codes
- Replace all parts and panels before operating

A. ROOF REQUIREMENTS AND DETERMINING LOCATION FOR INSTALLATION

Air conditioners covered in this manual are designed for installation on an RV's roof. Installation of this air conditioner must be in accordance with NFPA 1192 and NFPA 70.

For proper installation, there must be a 14 3/8" x 14 3/8" (+/-1/4") square opening in the roof and ceiling of the RV.

There must be 2 to 6 inches between the RV ceiling and roof.

Air conditioners covered in this manual are designed to fit over preexisting roof vent openings.

If a roof vent opening isn't available, use the following guidelines:

Unit is to be installed centered side-to-side on the RV roof. Unit is to be installed on a section of roof which is level with respect to the RV roof if parked on a flat, level surface.

Roof at the point of installation can have a maximum 15 degree tilt towards the front or rear of the RV.

Figure 1: Outdoor Unit

Figure 2: Indoor Non-Ducted Unit

Figure 3: Indoor Ducted Unit

Figure 1: Outdoor unit:

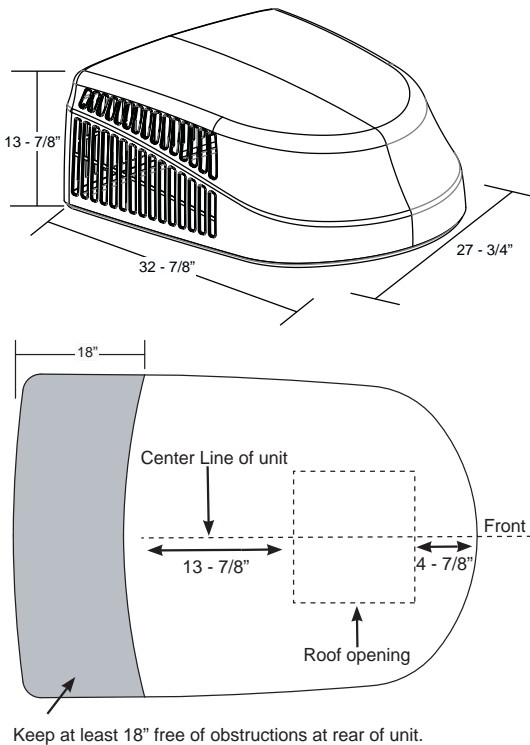


Figure 2: Indoor Non-Ducted Unit:

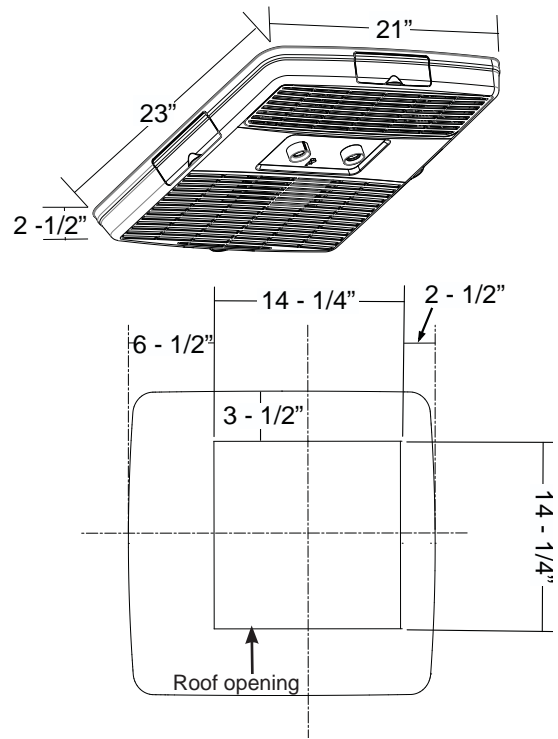
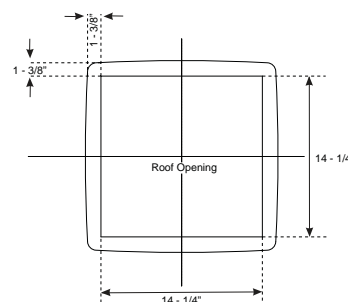
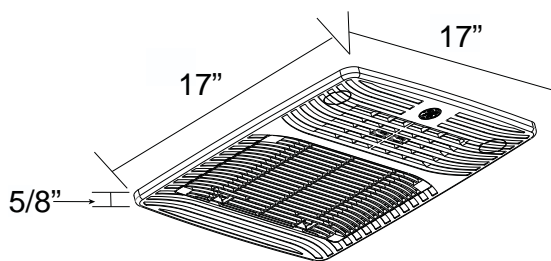


Figure 3: Indoor Ducted Unit:



Installation Instructions

B. ROOF REQUIREMENTS AND PREPARATION

If a preexisting roof vent opening will be used:

1. Unscrew and remove roof vent from RV.
2. Seal all holes and seams with a weather resistant sealant.
3. Measure the width and length of the vent opening. If the opening doesn't comply with the requirements from section A, it must be resized.

If a preexisting opening will not be used, a new opening will be cut through both the roof and ceiling of the RV.

1. This opening **MUST** be between structural roof members.
2. Do **NOT** cut structural roof members to create opening for this air conditioner. Doing so may cause damage to RV and air conditioner.
3. Do **NOT** create a low spot on the RV roof. Water can pool and may leak through the opening.

The square opening must be boxed with framing at least 3/4" thick to withstand the load from the compression bolts.

Be sure to provide an access hole for RV wiring toward the front of the 14 3/8" x 14 3/8" opening.

Roof and RV structure at point of install must be strong enough to support air conditioner without any deflection. If in doubt, please contact your RV manufacturer. Deflection will allow water to pool at the air conditioner's gasket, and may cause a leak.

C. ELECTRICAL REQUIREMENTS

These models require a 115-volt, 60-Hz protected with either a 15-amp or 20-amp time-delay fuse or circuit breaker (see table 1 on page 4).

Use a minimum of sheathed, 12 AWG copper wire with ground.

Be sure that 16" of supply wire is passed through the framing. This ensures enough wire is available for an easy connection in the junction box.

D. PLACING UNIT ON ROOF

⚠ CAUTION LIFTING HAZARD. Ensure proper lifting methods and controls are used when lifting unit to the RV roof. Failure to do so can result in injury.

1. Remove unit from packaging and dispose of packaging.
2. Do not slide the unit on its mounting gasket. Damage to gasket can cause a leak. Using two people, lift the unit and place it over the prepared opening. The front of the unit must face the RV's direction of travel. Damage to condenser fan and coil will occur if this instruction is not followed.

⚠ WARNING It is important that these installation instructions are read and understood before installation and use.

Failure to securely install the unit to the RV before moving the RV may result in personal injury or death.

Do not operate the unit or recreational vehicle until the unit is fully secured on roof.

3. Bring the ceiling assembly with all provided mounting hardware into the RV. All work on the exterior of the RV is now complete.

Installation Instructions

E. MECHANICAL NON-DUCTED INSTALLATION (RARMN_ _)

1. From inside the RV, double check the gasket's position and alignment above the roof opening. Adjust if necessary. The air conditioner can be moved and adjusted by pushing upwards from inside the RV.
2. Reach through the base pan and pull the electrical power cord from the air conditioner through the ceiling opening.
3. Measure ceiling to roof thickness.
4. Cut rows from the bottom of the foam baffle according to the table below:

Ceiling to roof thickness (in)		Rows to cut
Minimum	Maximum	
2	2.5	10
2.5	3	8
3.5	4	6
4.5	5	4
5	5.5	2
5.5	6	0

Best Practice:

Cut away one row at a time and check installation position of baffle. With the top foam compressed onto the air conditioner's base pan, the bottom of the baffle should be flush to the ceiling opening.

5. Install 2 baffle retainer plates onto the ceiling assembly (Optional).
6. Place foam baffle into position between 2 retainer plates.
7. Push the mounting template into the roof opening, and begin hand-threading each of the 4 mounting bolts through the nuts in the base pan.
8. Tighten the 4 bolts evenly to 35 ± 5 inch pounds using a torque wrench at least rated for 0-60 in-lbs. Even compression is required to prevent leaks through the gasket.
9. Remove 6 pin connection cover from the ceiling assembly.



E. MECHANICAL CONTROL INSTALLATION (cont.)

10. Plug 6 pin connector from the roof mounted air conditioner into the electronic control box.
11. Reassemble the 6 pin connection cover to the ceiling assembly.
12. Remove junction box cover.
13. Route the 115 VAC power cord through the strain relief of the ceiling assembly. Tighten the strain relief, making sure not to damage the wires.
14. Using wire connectors, connect line to black, neutral to white, and ground to green.
15. Using electrical tape, secure the connector to prevent any potential movement due to vehicle vibration.
16. Push wires and connections into the junction box. Reinstall junction box cover.
17. Align plastic ceiling panel to the metal assembly.
18. Install the 2 control knobs.
19. Install the 2 provided sheet metal screws to attach the plastic panel to the metal assembly. The filter must be removed to install these screws.
20. Apply pressure to the center of the plastic panel, drive the 2 wood screws at the location shown in the figure below. The air discharge doors should be partially open; otherwise, these screws will be difficult to drive.
21. Drive the remaining 6 wood screws. The air discharge doors should be hinged partially open; otherwise, these screws will be difficult to drive.
22. Assemble the filter to the plastic panel.
23. Installation is complete. Refer to "Controls" on page 12 before attempting to operate the air conditioner.

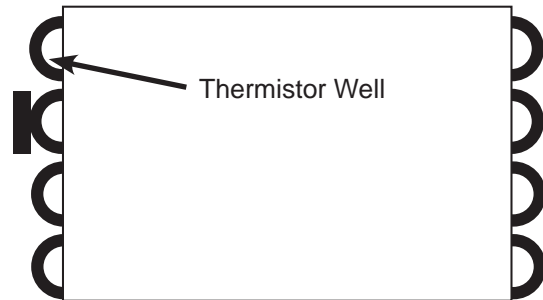
Installation Instructions

F. ELECTRONIC DUCTED (RARED__) INSTALLATION

1. From inside the RV, double check the gasket's position and alignment above the roof opening. Adjust if necessary. The air conditioner can be moved and adjusted by pushing upwards from inside the RV.
2. Reach through the base pan and pull the electrical power cord from the air conditioner through the ceiling opening.
3. Push the ceiling mounting template into the roof opening and begin hand-threading each of the 4 mounting bolts through the nuts in the base pan.
4. Tighten the 4 bolts evenly to 35 ± 5 inch pounds using a torque wrench at least rated for 0-60 in-lbs. Even compression is required to prevent leaks through the gasket.
5. Place dividing baffle into position on the ceiling assembly. Ensure baffle is pressed against the base pan, forming an airtight seal.
6. Mount the dividing baffle to the mounting template using three screws.
7. Mount the dividing baffle to the framing timber using two screws on each side, creating an airtight seal.
8. Mount the Main Control Box (RARMC__) to the mounting template using four screws.
9. Remove three screws from main control box, allowing the bottom section to hinge open. Control board is now visible and accessible.
10. Route the 115 VAC power cord through the strain relief of the control box. Tighten the strain relief, making sure not to damage the wires.
11. Using wire connectors, connect line to black, neutral to white, and ground to green.
12. Using electrical tape, secure the connectors to prevent any potential movement due to vehicle vibration.
13. Route the 6 pin connector through the U-Shaped opening of the control box. Mate 6 pin connector to the control box's wire harness.
14. Using wire connectors, connect 2 furnace wires (blue), 3 thermostat wires (red, yellow, black), and two 12 VDC battery wires (red and black).

F. ELECTRONIC DUCTED (RARED__) INSTALLATION

15. The Indoor Coil Freeze sensor should be installed in the Thermistor Well on the outdoor unit (pictured below). The sensor has a 2-pin connector that needs to be plugged into "T2" on the circuit board. If the sensor is not installed in the outdoor unit, then install the one provided with the main control (RARMC__). Heat-Pump models also have a 4-pin connector that needs to be plugged into "T4".



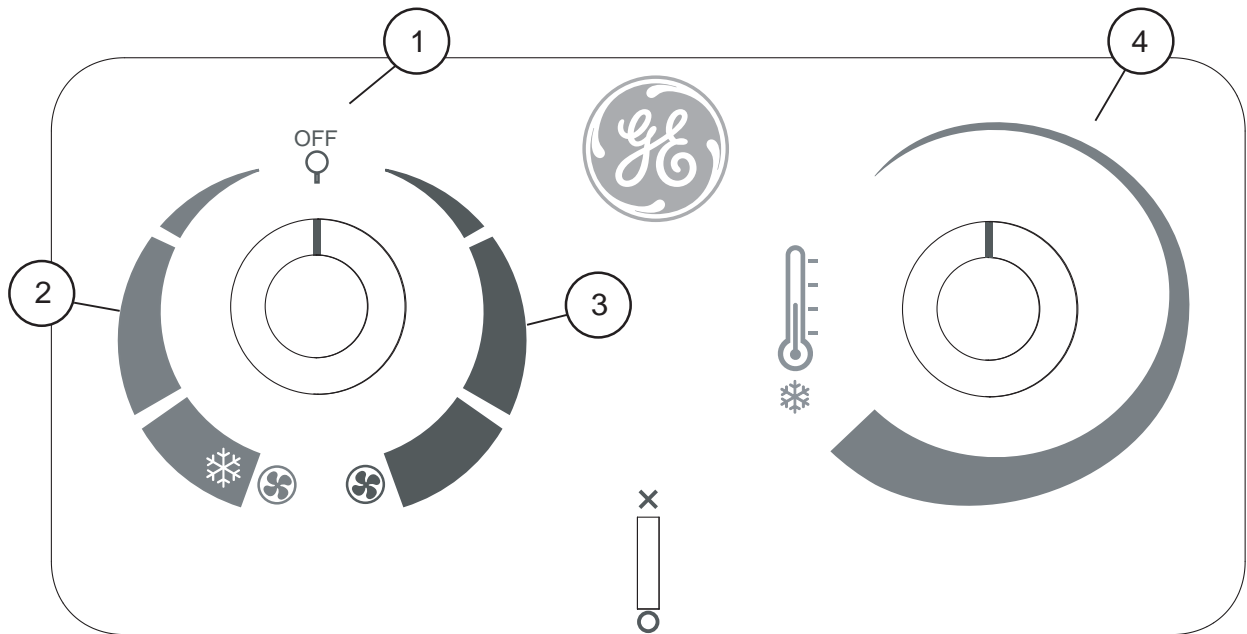
16. Rotate lower section of control box upwards, making sure not to crush any wires. Drive three screws, securing the control box closed.
17. Align plastic ceiling panel to the metal assembly.
18. Install the 6 provided sheet metal screws to attach the plastic panel to the metal assembly. The filter and screw covers must be removed to install these screws.
19. Assemble the filter and screw covers to the plastic panel.
20. Installation is complete. Refer to thermostat operating instructions before attempting to operate.

Note for RARED__ models the mounting template can be installed prior to placing the rooftop unit on the coach per the following sequence:

1. Measure and attach the dividing baffle to the mounting template using 3 screws.
2. Push the mounting template into the roof opening and drive 4 screws through the plate holes and into the roof of the coach.
3. Follow steps 7-12
4. Follow step 14
5. Follow steps 1-2
6. Hand thread the mounting bolts through the mounting template and into the corresponding holes in the rooftop unit
7. Follow step 4
8. Follow Step 13
9. Follow Steps 15-20

Controls

Features and appearance will vary.



Air Conditioner Controls

Controls

1. Power Off

The air conditioner is off in this position.

2. Air Conditioning Modes

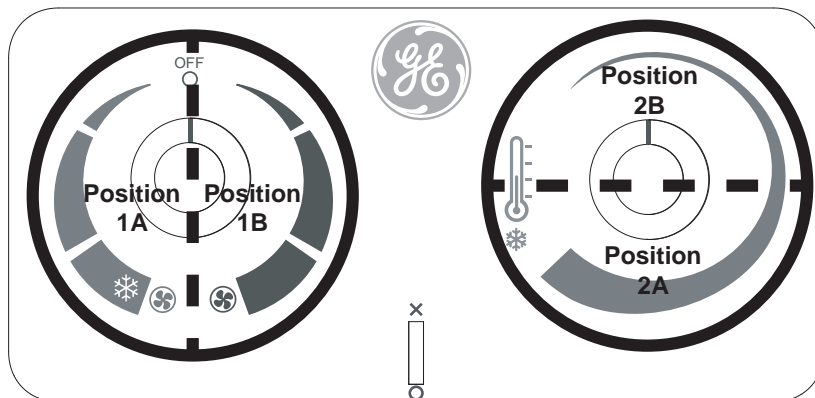
In these positions, the compressor and fans will run to provide cold air. The three modes correspond to low, medium, and high fan speeds.

3. Fan Only Modes

In these modes, the fans will run to circulate air in the RV. The three modes correspond to low, medium, and high fan speeds.

4. Temperature Selection

This knob determines the room set point temperature. Turn this knob to increase or decrease how cold the air conditioner will make the room.



CAUTION

To prevent circuit breaker from tripping, wait a minimum of 3 minutes between turning the compressor off and then back on (i.e. wait 3 minutes before moving the dial from position 1A to 1B back to 1A or moving from position 2A to 2B back to 2A (pictured above))

Using the Air Conditioner

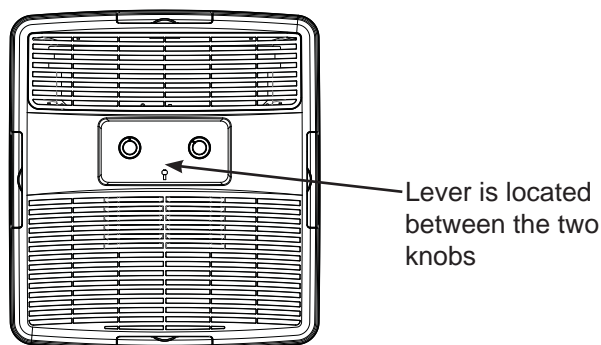
IMPORTANT:

- When you turn off the air conditioner, wait at least 3 minutes before turning it back on. This prevents the compressor from overloading. This 3 minute delay also applies when switching from cool mode to fan and back.
- Do not operate your air conditioner in the Cool mode when the outside temperature is below 60°F (15° C). The inside evaporator coil may freeze up, and the air conditioner will not operate properly.

Air Direction

Use the lever to open or close vent on face of control panel.

Open or close 4 side ports to adjust airflow from the air conditioner.



Front View

Normal Operating Sounds

When your air conditioner is operating normally, you may hear sounds such as:

- Droplets of water hitting the condenser, causing a pinging or clicking sound. The water droplets help cool the condenser.
- Air movement from the fan.
- Clicks from the control cycling
- A hum or pulsating noise caused by the compressor cycling on and off.

Care and Cleaning

Indoor Panel

Turn the air conditioner off and disconnect power from the air conditioner before cleaning.

To clean, use water and a mild detergent. Do not use bleach or abrasives.

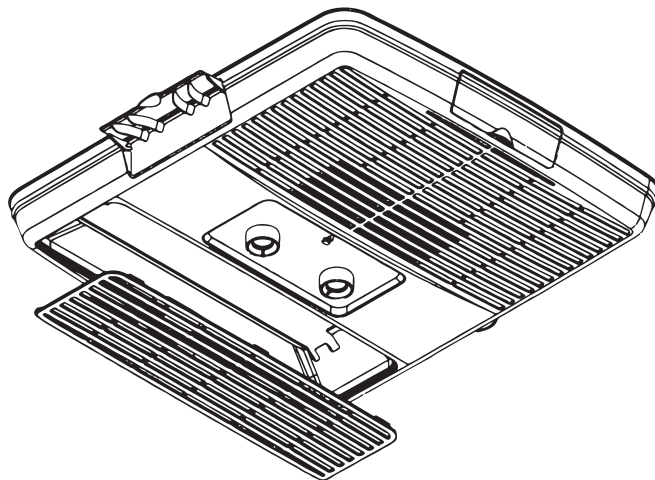
Air Filter

The air filter behind the front grille should be checked at least every 2 weeks and cleaned if necessary.

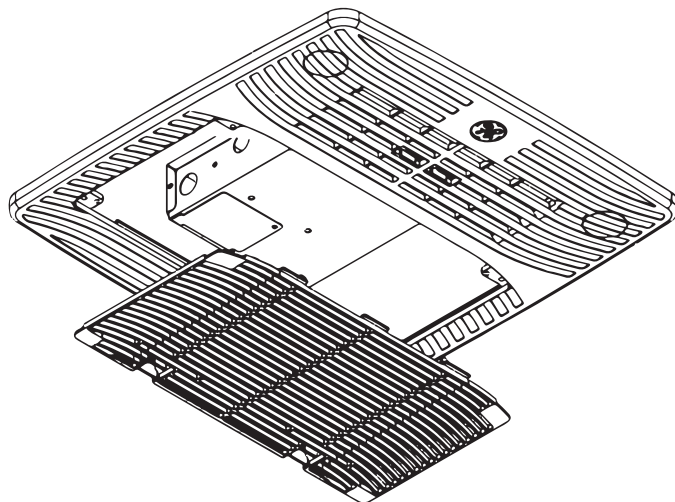
DO NOT operate the air conditioner without a filter because dirt and lint will clog it and reduce performance.

Cleaning the Air Filter

1. Turn off the air conditioner.
2. Remove the air filter and grill assembly by carefully unsnapping the 6 tabs from the main panel. Then separate the filter from the grill.
3. Use a vacuum cleaner to clean air filter. If the air filter is very dirty, wash it in warm water with a mild detergent. Do not wash the air filter in the dishwasher or use any chemical cleaners. Air dry the air filter completely before replacing to ensure maximum efficiency.
4. Reassemble the air filter to the grill.
5. Carefully reassemble the grill and filter assembly to the main panel.
6. Turn on the air conditioner.



Push on the back side of the filter to release the cover.



Push both tabs toward the GE logo to release the cover.

Cleaning the Front Panel

1. Turn off the air conditioner.
2. Clean the front panel with a soft, damp cloth.
3. Air dry the front panel completely.
4. Turn on the air conditioner.

Annual Maintenance

Your air conditioner needs annual maintenance to help ensure steady, top performance throughout the year.

Call your local authorized dealer to schedule an annual checkup. The expense of an annual inspection is your responsibility.

Troubleshooting Tips... Before you call for service

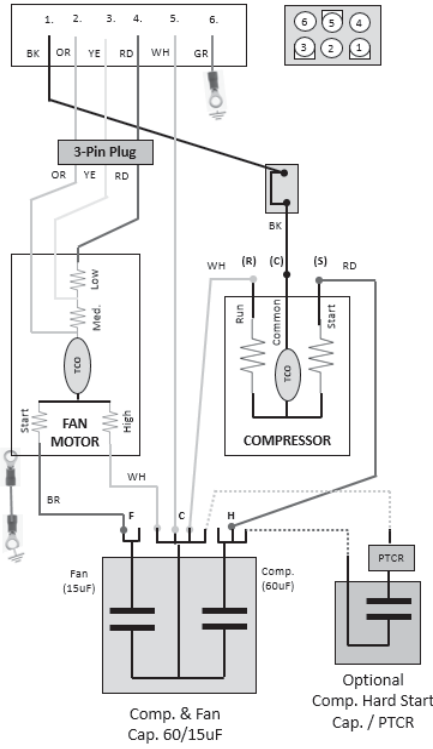
Save time and money! Review the charts on the following pages first and you may not need to call for service.

Problem	Possible Cause	What To Do
Air Conditioner does not operate	An RV fuse has blown, or circuit breaker has tripped.	Replace the fuse or reset the circuit breaker. If the problem continues, call an electrician. See "Electrical Requirements."
	The mode setting is in the OFF position.	Press POWER or turn the Mode control to an active setting.
	The local power has failed.	Wait for power to be restored.
Air conditioner blows fuses or trips circuit breakers	Too many appliances are being used on the same circuit.	Unplug or relocate appliances that share the same circuit.
	Time-delay fuse or circuit breaker of the wrong capacity is being used.	Replace with a time-delay fuse or circuit breaker of the correct capacity. See "Electrical Requirements."
	You are trying to restart the air conditioner too soon after turning off the air conditioner.	Wait at least 3 minutes after turning off the air conditioner before trying to restart the air conditioner.
Air conditioner seems to run too much	The air conditioner is in a heavily occupied room, or heat-producing appliances are in use in the room.	Use exhaust vent fans while cooking or bathing and try not to use heat producing appliances during the hottest part of the day. A higher capacity air conditioner may be required depending on the size of the room being cooled.
Air conditioner cycles on and off too much or does not cool room in cooling mode	The air conditioner is not properly sized for your RV.	Check the cooling capabilities of your RV air conditioner.
	The filter is dirty or obstructed by debris.	Clean the filter.
	There is excessive heat or moisture (open container cooking, showers, etc.) in the room.	Use a fan to exhaust heat or moisture from the room. Try not to use heat-producing appliances during the hottest part of the day.
	The louvers or ducts are closed.	Make sure louvers are open.
	The outside temperature is below 60°F (15°C).	Do not try to operate your air conditioner in the cooling mode when the outside temperature is below 60°F (15°C).
	The temperature of the room you are trying to cool is extremely hot.	Allow extra time for the air conditioner to cool off a very hot room.
	Windows or doors to the outside are open.	Close all windows and doors.
	The Temperature control is not at a cool enough setting.	Adjust the TEMP control to a cooler setting by pressing the minus button to reduce the temperature. Set the Fan Speed control to the highest setting.
	Wall thermostat improperly installed	Verify proper installation of Wall Thermostat per installation instructions (pg. 5 ...not on exterior wall or in direct sunlight... ..in an area affected by a vent or duct...)
Water drips from cabinet into your house	The indoor coil may be frozen.	De-ice by running the fan only until clear.
	The air conditioner's mounting gasket may not be sealed against the roof.	Check mounting bolts and tighten to 45 ± 5 in-lbs if necessary.

Schematic Diagrams

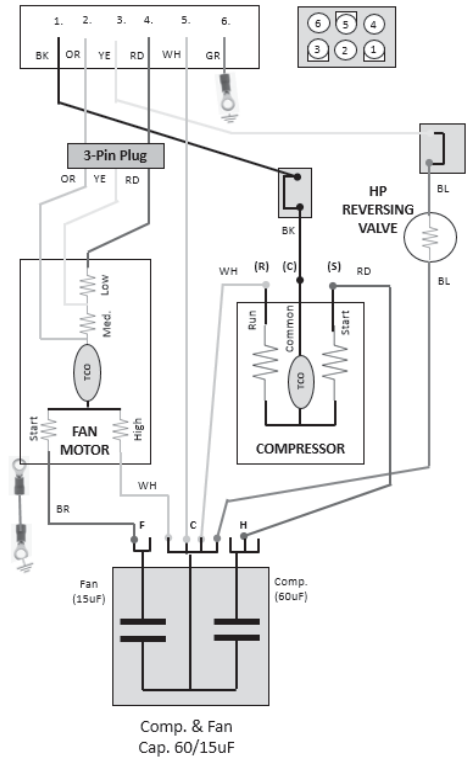
GE RVAC Outdoor Unit

Models
 ARC13AAC____
 ARC13AHC____
 ARC15AAC____



GE RVHP Outdoor Unit

Models
 ARH15AAC____



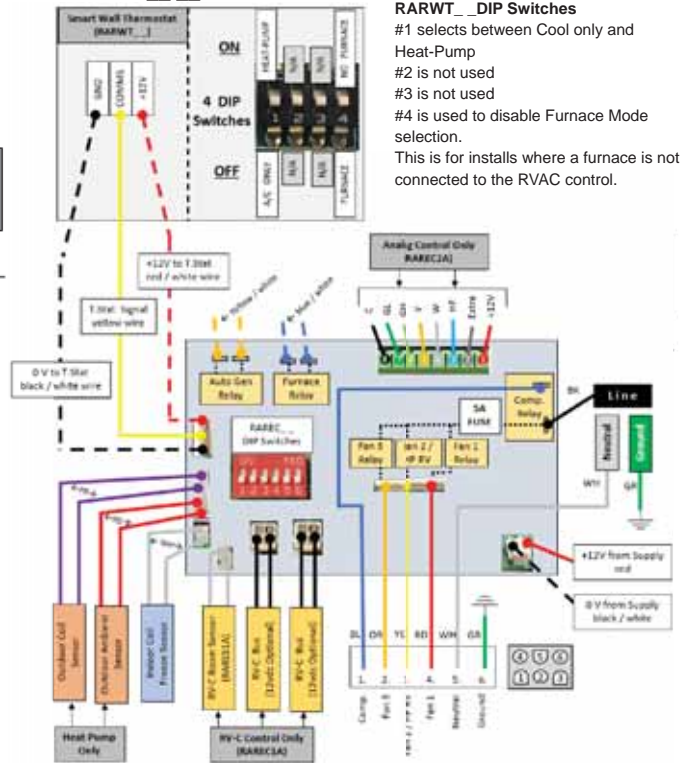
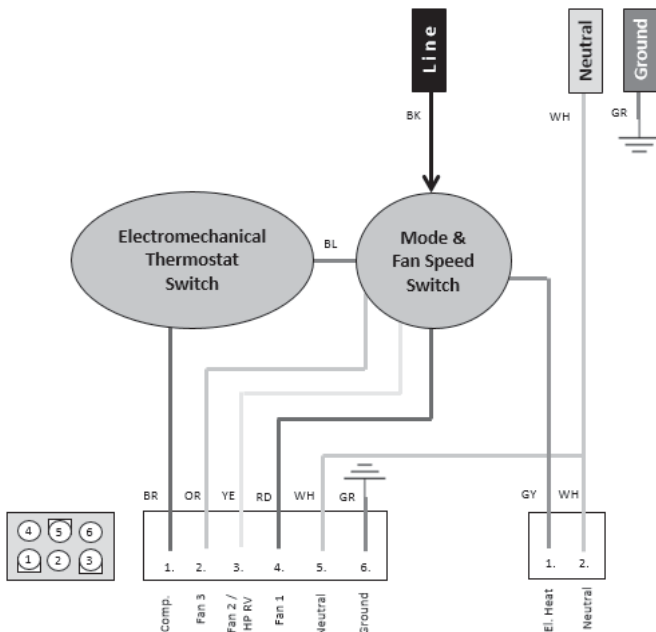
Ceiling Controls

- RARMC ____
- RARWT ____
- RAREC ____

RARWT_ _DIP Switches
 #1 selects between Cool only and Heat-Pump
 #2 is not used
 #3 is not used
 #4 is used to disable Furnace Mode selection.
 This is for installs where a furnace is not connected to the RVAC control.

GE RVAC Indoor Assemblies

Ceiling Assembly
 RARMN1A_



GE Appliances Air Conditioner Limited Warranty

LIMITED WARRANTY

All warranty service must be provided by certified RV Service Centers.

To schedule service call 1-877-540-7837

Have serial number and model number available when calling for service.

For The Period Of:	GE Appliances Will Replace:
Two Years From the date of the original purchase	Any part of the air conditioner which fails due to a defect in materials or workmanship. During this limited two-year warranty , GE Appliances will also cover all labor and related service to replace the defective part.

What GE Appliances Will Not Cover:

- **Improper installation, delivery or maintenance.** If you have an installation problem, or if the air conditioner is of improper cooling capacity for the intended use, contact your dealer or installer. You are responsible for providing adequate electrical connecting facilities.
- **Replacement of house fuses or resetting of circuit breakers.**
- **Failure of the product resulting from modifications to the product or due to unreasonable use including failure to provide reasonable and necessary maintenance.**
- **Damage to the product caused by improper power supply voltage, accident, fire, floods or acts of God.**
- **Labor necessary to move the unit to a location where it is accessible for service by an individual technician.**
- **Incidental or consequential damage caused by possible defects with this air conditioner.**
- **Damage caused after delivery.**

EXCLUSION OF IMPLIED WARRANTIES—Your sole and exclusive remedy is product repair as provided in this Limited Warranty. Any implied warranties, including the implied warranties of merchantability or fitness for a particular purpose, are limited to two years or the shortest period allowed by law.

This limited warranty is extended to the original purchaser and any succeeding owner for products purchased for RV use within the USA and Canada. If the product is located in an area where service by an authorized RV servicer is not available, you may be required to bring the product to an authorized service location for service. Authorized GE Service location for service.

Some states do not allow the exclusion or limitation of incidental or consequential damages. This limited warranty gives you specific legal rights, and you may also have other rights which vary from state to state. To know what your legal rights are, consult your local or state consumer affairs office or your state's Attorney General.

Warrantor: GE Appliances, a Haier company
Louisville, KY 40225

Staple your receipt here. Proof of the original purchase date is needed to obtain service under the warranty.

Consumer Support

GE Appliances Website

Have a question or need assistance with your appliance? Try the GE Appliances Website 24 hours a day, any day of the year! You can also shop for more great GE Appliances products and take advantage of all our on-line support services designed for your convenience. In the US: GEAppliances.com

Register Your Appliance

Register your new appliance on-line at your convenience! Timely product registration will allow for enhanced communication and prompt service under the terms of your warranty, should the need arise. You may also mail in the pre-printed registration card included in the packing material. In the US: GEAppliances.com/register

Schedule Service

Call 1-877-540-7837 during normal business hours.

Extended Warranties

Purchase a GE Appliances extended warranty and learn about special discounts that are available while your warranty is still in effect. You can purchase it on-line anytime. GE Appliances Services will still be there after your warranty expires. In the US: GEAppliances.com/extended-warranty or call 800.626.2224 during normal business hours.

Remote Connectivity

For assistance with wireless network connectivity (for models with remote enable), visit our website at GEAppliances.com/connected-home-smart-appliances or call 800.220.6899 in the US.

Parts and Accessories

Individuals qualified to service their own appliances can have parts or accessories sent directly to their homes (VISA, MasterCard and Discover cards are accepted). Order on-line today 24 hours every day. In the US: GEApplianceparts.com or by phone at 877.959.8688 during normal business hours.

Instructions contained in this manual cover procedures to be performed by any user. Other servicing generally should be referred to qualified service personnel. Caution must be exercised, since improper servicing may cause unsafe operation.

Contact Us

If you are not satisfied with the service you receive from GE Appliances, contact us on our Website with all the details including your phone number, or write to:

General Manager, Customer Relations | GE Appliances, Appliance Park | Louisville, KY 40225
GEAppliances.com/contact



CLIMATISEUR individuel

INFORMATION DE SÉCURITÉ...3

INSTRUCTIONS D'INSTALLATION

Avant de commencer4
 Outils dont vous pouvez avoir besoin.....4
 RARMN_ _ : Pièces incluses.....5
 RAREN_ _ : Pièces incluses6
 RARED_ _ : Pièces incluses7
 Exigences et détermination de
 l'emplacement d'installation sur le toit ...8
 Exigences et préparation du toit.....9
 Exigences électriques9
 Mise en place de l'appareil sur le toit....9
 Nstallation de l'appareil10
 Instr. Pour électricité..... 11

UTILISANT LE CONDITIONNEUR D'AIR

Commandes12
 Orientation de l'air13
 Ces phénomènes sont normaux13

ENTRETIEN ET NETTOYAGE

Panneau intérieur14
 Filtre à air 14
 Maintenance annuelle 14

CONSEILS DE DÉPANNAGE...15

SCHÉMAS DE PRINCIPE16

GARANTIE LIMITÉE17

SOUTIEN AU CONSOMMATEUR.....18

MANUEL D'UTILISATION

Unités de toit :

- ARC13AAC_
- ARC15AAC_
- ARC13AHC_
- ARH15AAC_

Assemblages intérieurs

- RARMN_ _
- RAREN_ _
- RARED_ _

FRANÇAIS

Écrivez le modèle et les numéros de série ici:

Modèle # _____

Serial # _____

Vous pouvez les trouver sur une étiquette sur le climatiseur.

NOUS VOUS REMERCIONS D'ACCUEILLIR GE APPLIANCES CHEZ VOUS RV

Que vous ayez grandi avec GE Appliances ou qu'il s'agisse de votre première acquisition, nous sommes heureux de vous accueillir dans notre famille.

Nous sommes fiers du savoir-faire, de l'innovation et de l'esthétique qui composent chaque appareil GE Appliances, et nous pensons que vous le serez aussi. Dans cette optique, nous vous rappelons que l'enregistrement de votre électroménager vous assure la communication de renseignements importants sur le produit et la garantie lorsque vous en avez besoin.

Enregistrez votre électroménager GE en ligne dès maintenant. Des sites Web et des numéros de téléphone utiles figurent dans la section Soutien au consommateur de ce manuel d'utilisation.



GE APPLIANCES

INFORMATION DE SÉCURITÉ IMPORTANTES

LISEZ TOUTES LES DIRECTIVES AVANT D'UTILISER L'APPAREIL

⚠ AVERTISSEMENT

Pour votre sécurité, vous devez suivre les instructions de ce manuel pour réduire les risques d'incendie, d'explosion, de choc électrique, de dommage à la propriété, de blessure ou de décès.

- N'utilisez cet appareil que pour son usage prévu, tel que décrit dans le Manuel de l'utilisateur.
- Vous devez bien monter ce conditionneur, conformément aux Instructions de montage, avant de l'utiliser.
- Remplacez immédiatement tout cordon d'alimentation abîmé ou endommagé. Un cordon d'alimentation électrique endommagé ne doit pas être réparé mais plutôt remplacé par un autre cordon d'alimentation obtenu du fabricant. N'utilisez pas un cordon d'alimentation qui montre des fissures ou des signes d'abrasion sur sa longueur ou encore près de la prise ou du connecteur.
- Éteignez l'appareil et débranchez toutes les sources d'alimentation du véhicule avant d'effectuer le nettoyage ou les réparations.
- Afin de prévenir le risque de blessure ou de dommage à la propriété, le climatiseur doit être réparé par un technicien qualifié seulement. Celui-ci doit détenir un certificat à jour valide attribué par un organisme d'évaluation de l'industrie qui sanctionne sa compétence à manipuler des frigorigènes d'une manière sûre, en conformité avec une norme d'évaluation reconnue par l'industrie.
- Pour votre sécurité...ne rangez jamais ou n'utilisez jamais des matériaux combustibles, de l'essence ou d'autres vapeurs ou liquides inflammables à proximité de cet appareil ou de tout autre appareil électroménager.
- Tous les conditionneurs contiennent des fluides frigorigènes qui, en vertu de la loi fédérale, doivent être retirés avant la mise au rebut de l'appareil. Si vous vous débarrassez d'un vieil appareil contenant des fluides frigorigènes, renseignez-vous sur la façon de faire auprès de l'entreprise qui s'occupe de la mise au rebut.
- Ces systèmes de climatisation R410A exigent que les entrepreneurs et les techniciens utilisent des outils, des équipements et des normes de sécurité approuvés pour ce type de frigorigène. N'utilisez PAS un équipement certifié pour le frigorigène R22 seulement.

LIRE ET CONSERVER CES INSTRUCTIONS

Instructions d'installation

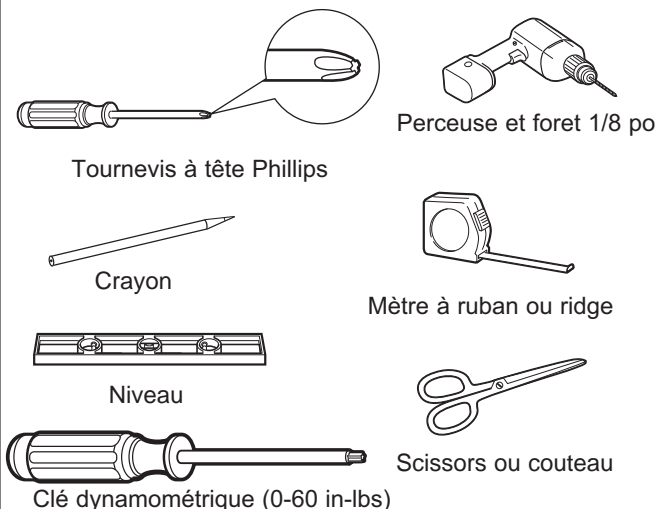
Questions? Composez le 1.800.361.3400 ou visitez notre site web à : electromenagersge.ca

AVANT DE COMMENCER

Lisez ces instructions attentivement et en totalité.

- **IMPORTANT** – Conservez ces instructions pour l'inspecteur local.
- **IMPORTANT** – Observez tous les codes et règlements en vigueur.
- **Note au monteur** – Conservez le Manuel du propriétaire.
- **Note au consommateur** – Conservez ces instructions pour consultation ultérieure.
- **Niveau de compétence** – L'installation de cet appareil requiert un technicien de véhicule récréatif qualifié.
- **Temps d'exécution** – Environ 1 heure
- Nous recommandons que l'installation de ce produit soit effectuée par deux personnes.
- La responsabilité de l'exactitude de l'installation incombe à l'installateur.
- La garantie ne couvre pas les défauts du produit causés par une installation inadéquate.
- Vous devez utiliser toutes les pièces fournies et suivre les procédures appropriées qui figurent dans ces instructions lors de l'installation de ce climatiseur.

OUTILS DONT VOUS POUVEZ AVOIR BESOIN



⚠ ATTENTION

Prenez garde aux bords acérés pour éviter les blessures. Deux personnes sont nécessaires pour soulever ce climatiseur.

Du câblage électrique peut se trouver entre le toit et le plafond. Assurez-vous que l'alimentation est hors tension depuis les sources principales et la batterie. Assurez-vous que l'arrivée de gaz est fermée.

La désobéissance à ces consignes représente un risque de blessure ou la mort.

Liste de compatibilité des modèles

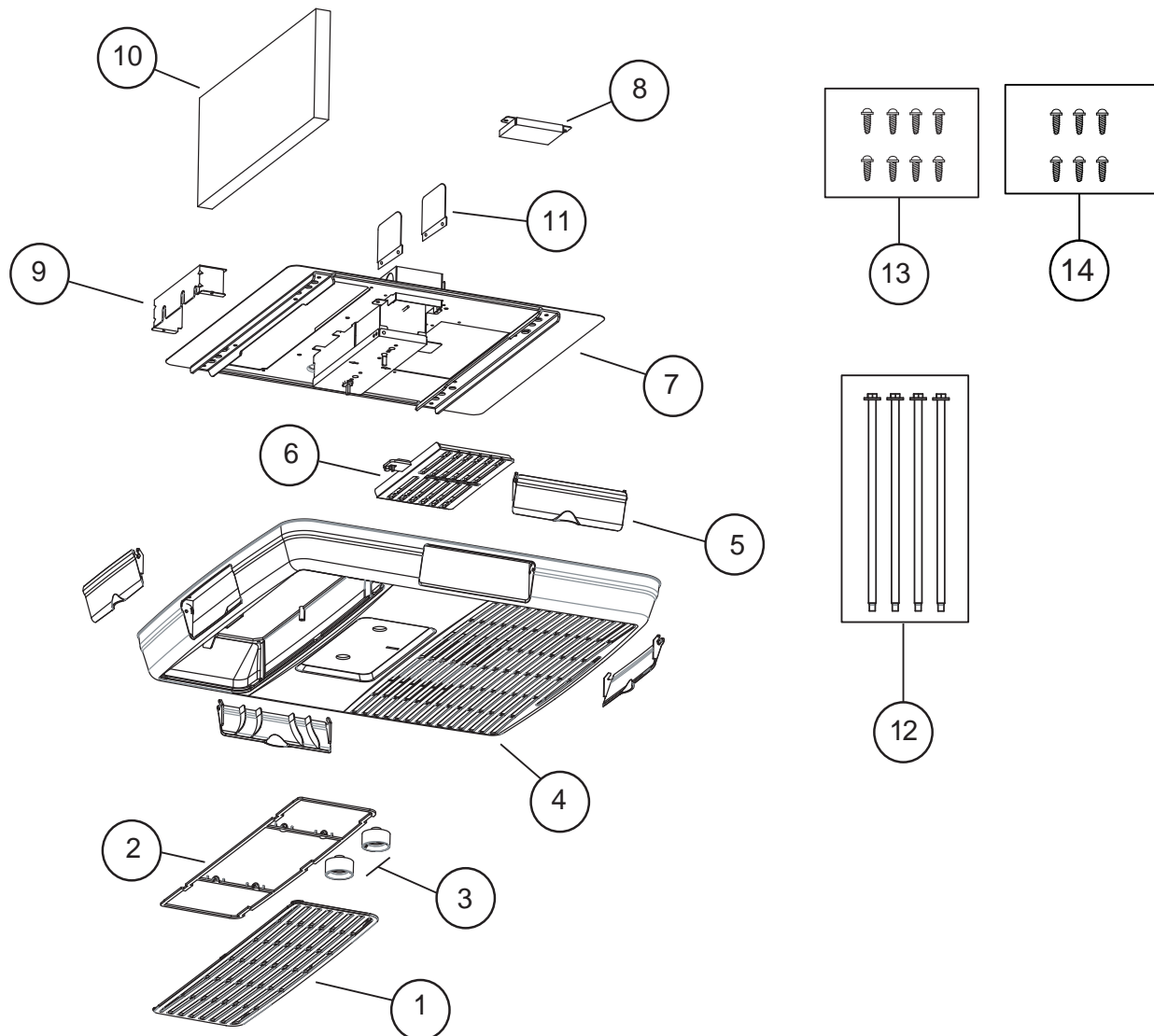
Unités extérieures	Unités intérieures			Intensité du disjoncteur
	RARMN__	RAREN__	RARED__	
ARC13AHC_	✓	✓	✓	15A
ARC13AAC_	✓	✓	✓	20A
ARC15AAC_	✓	✓	✓	20A
ARH15AAC_		✓	✓	20A

	Unités intérieures		
	RARMN* Mécanique sans conduit	RAREN* Électronique sans conduit	RARED* Électronique avec conduit
Elec. Control RARMC__ RAREC__		✓	✓
Wall Thermostat RARWT__		✓	✓

Instructions d'installation

RARMN_ _ - Mécanique sans conduit

Assurez-vous que tous les accessoires suivants ont été livrés avec votre climatiseur :

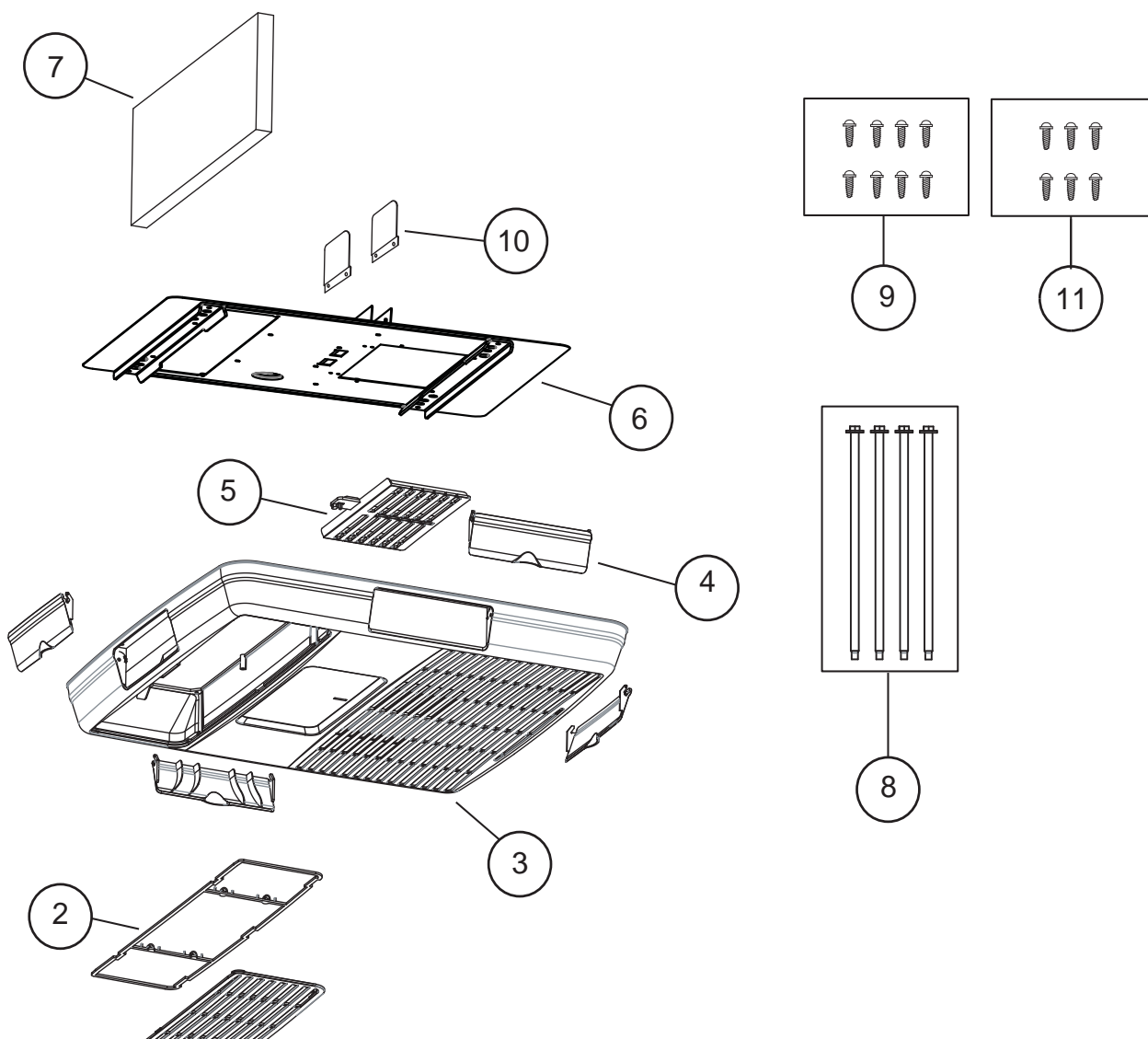


Numéro	Nom de la pièce	QTÉ
1	Porte-filtre	1
2	Filtre	1
3	Boutons	2
4	Panneau de plafond	1
5	Orifices de sortie latéraux	4
6	Guide de sortie directe	1
7	Gabarit de montage	1
8	Couvercle de boîte de jonction	1
9	Protecteur de raccords	1
10	Chicane pour division de l'air	1
11	Boulons de montage M8	2
12	Vis à bois	4
13	Plaques de retenue de chicane	8
14	Vis à tôle	6

Instructions d'installation

RAREN_ _-Électronique non canalisé

Assurez-vous que tous les accessoires suivants ont été livrés avec votre climatiseur :

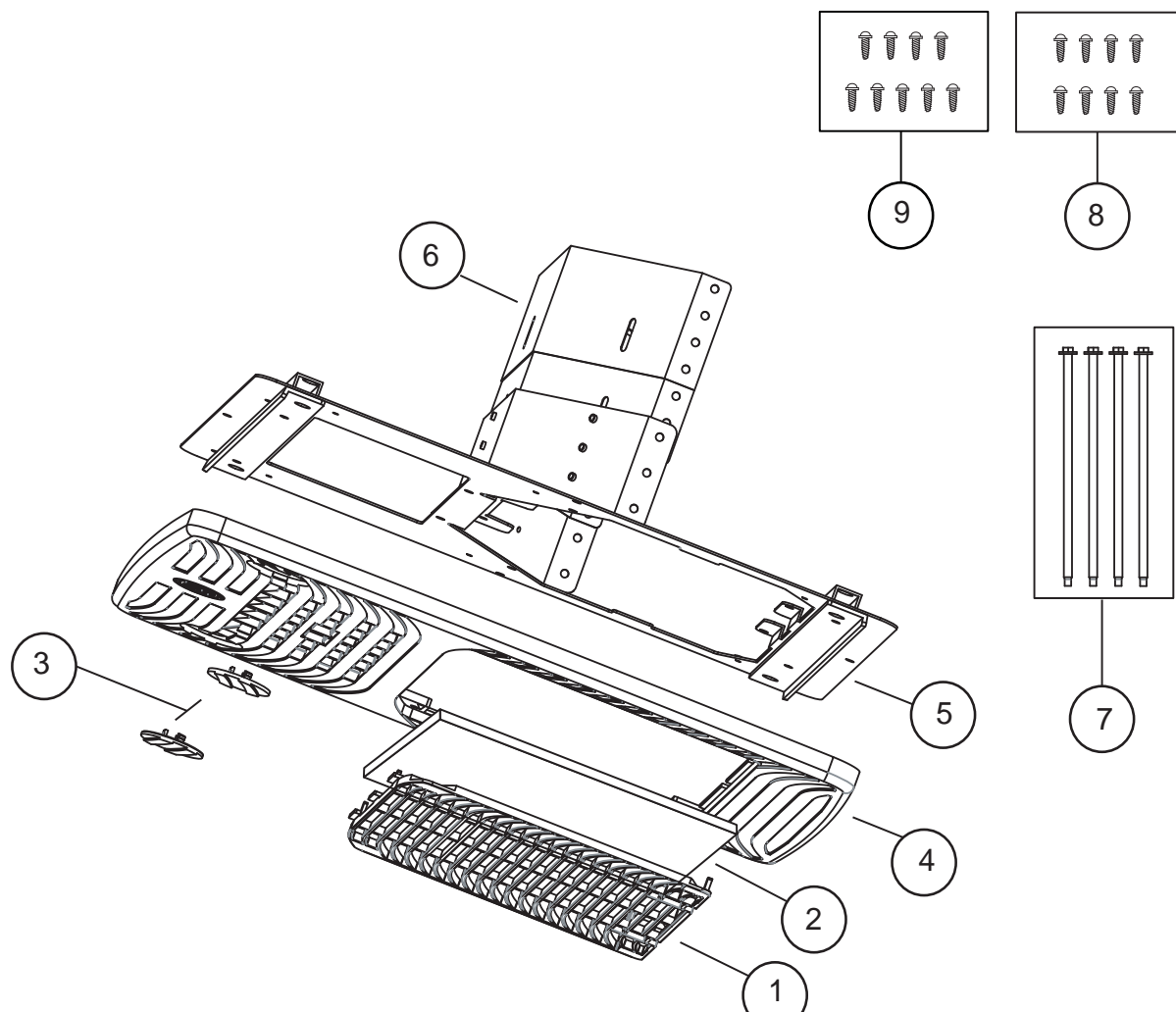


Numéro	Nom de la pièce	QTÉ
1	Porte-filtre	1
2	Filtre	1
3	Panneau de plafond	1
4	Orifices de sortie latéraux	4
5	Guide de sortie directe	1
6	Gabarit de montage	1
7	Chicane pour division d'air	1
8	Boulons de montage M8	4
9	Vis à bois	8
10	Plaques de retenue de chicane	2
11	Vis à tôle	6

Instructions d'installation

RARED_ - Conduit électronique

Assurez-vous que tous les accessoires suivants ont été livrés avec votre climatiseur :



Numéro	Nom de la pièce	QTÉ
1	Porte-Filtre	1
2	Filtre	1
3	Cache-vis	2
4	Panneau de plafond	1
5	Gabarit de montage	1
6	Chicane pour division d'air	1
7	Boulons de montage M8	4
8	Vis de montage	8
9	Vis à tôle	9

Instructions d'installation

⚠ AVERTISSEMENT RISQUE D'ÉLECTROCUTION

Des blessures graves ou mortelles peuvent survenir si ces instructions ne sont pas respectées.

- Débranchez la source d'alimentation de 120 VCA avant de commencer l'installation ou les réparations.
- Assurez-vous que ce produit est mis à la terre conformément aux codes en vigueur.
- Installez toutes les pièces et les panneaux avant de mettre l'appareil en marche.

A. EXIGENCES ET DÉTERMINATION DE L'EMPLACEMENT D'INSTALLATION SUR LE TOIT

Les climatiseurs couverts par ce manuel sont conçus pour être installés sur le toit d'un véhicule
L'installation de ce climatiseur doit être conforme aux normes 1192 et 70 de la NFPA.

Pour que l'installation soit adéquate, une ouverture carrée de 36 x 36 cm (14 3/8 x 14 3/8 po) (+/- 0,6 cm [1/4 po]) dans le toit et le plafond du véhicule récréatif.

Il doit y avoir de 6 à 16 cm (2 à 6 po) entre le plafond et le toit du véhicule récréatif.

Les climatiseurs couverts par ce manuel sont conçus pour être installés sur des ouvertures d'aération existantes sur un toit. Respectez les directives suivantes si aucune ouverture

d'aération n'est disponible sur le toit :

L'appareil doit être installé au centre de part et d'autre sur le toit du véhicule récréatif.

L'appareil doit être installé sur une partie du toit étant à niveau avec le toit du véhicule récréatif si ce dernier est stationné sur une surface plane et à niveau.

Le point d'installation sur le toit ne doit pas avoir une pente d'inclinaison de plus de 15 degrés vers l'avant ou l'arrière du véhicule récréatif.

Illustration 1 : Bloc extérieur

Illustration 2 : Bloc intérieur

Illustration 3 : Groupe de conduits

Illustration 1 : Bloc extérieur

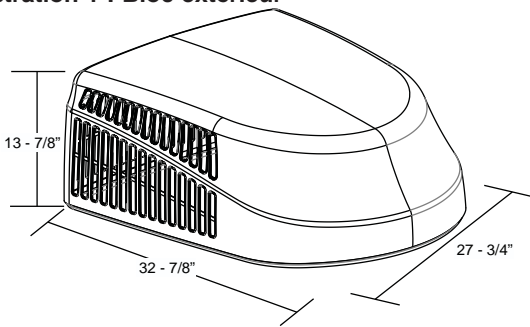


Illustration 2 : Bloc intérieur

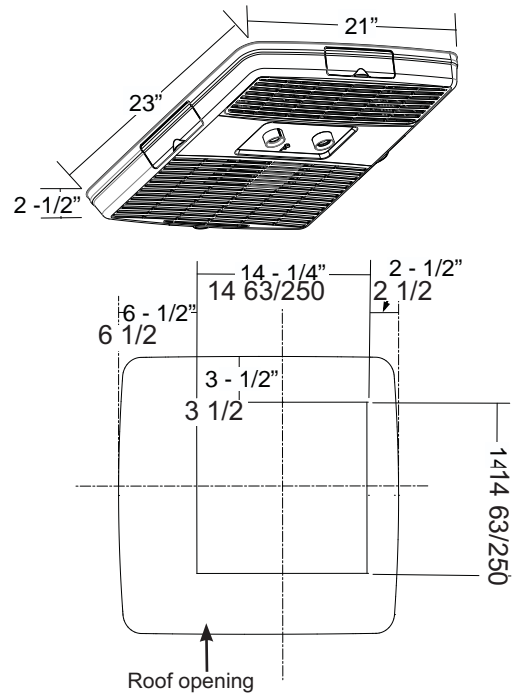
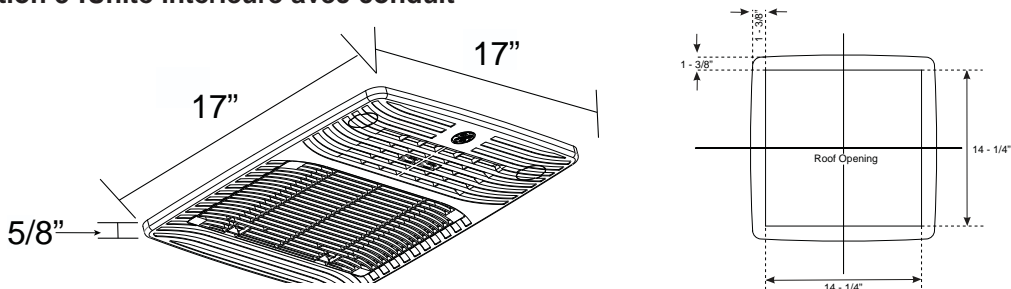


Illustration 3 : Unité intérieure avec conduit



B. EXIGENCES ET PRÉPARATION DU TOIT

Si une ouverture d'aération de toit est utilisée :

1. Dévissez et retirez l'évent de toit du véhicule récréatif.
2. Scellez tous les trous et toutes les rainures avec un calfeutrante résistant aux intempéries.
3. Mesurez la largeur et la longueur de l'ouverture de l'évent. Vous devrez ajuster l'ouverture si cette dernière ne correspond pas aux exigences mentionnées ci-dessus.

Si vous n'utilisez pas l'ouverture existante, une nouvelle ouverture devra être découpée sur le toit et le plafond du véhicule récréatif.

1. Cette ouverture DOIT se situer entre les montants de la structure du toit.
2. NE coupez PAS les montants de la structure du toit pour créer l'ouverture du climatiseur. Des montants découpés pourraient endommager le véhicule récréatif et le climatiseur.
3. ÉVITEZ de créer une dénivellation sur le toit du véhicule récréatif. L'eau pourrait s'y accumuler et fuir par l'ouverture.

L'ouverture carrée doit être emboîtée à la charpente sur moins 20 mm ($\frac{3}{4}$ po) d'épaisseur pour résister à la charge des boulons de compression.

Assurez-vous de ménager un trou d'accès pour le câblage du véhicule de plaisance vers l'avant de l'ouverture de 14 $\frac{3}{8}$ po x 14 $\frac{3}{8}$ po.

Le toit et la structure du véhicule récréatif au point d'installation doivent être suffisamment résistants pour supporter le climatiseur et ne pas s'enfoncer. L'enfoncement permettra l'accumulation d'eau par le joint d'étanchéité du climatiseur et provoquera éventuellement une fuite.

C. EXIGENCES ÉLECTRIQUES

Ces modèles requièrent une alimentation de 115 V, 60 Hz protégée par un fusible temporisé 15 ou 20 ampères ou un disjoncteur (voir le tableau 1 à la page 4).

Utilisez un câble avec fil de cuivre et mise à la terre gainé d'un calibre américain de fil (AWG) d'au moins 12.

Assurez-vous qu'au moins une longueur de 40 cm (16 po) de câble est insérée dans la structure. Ceci permettra d'assurer une longueur suffisante pour effectuer le raccord vers la boîte de jonction.

D. MISE EN PLACE DE L'APPAREIL SUR LE TOIT

⚠ AVERTISSEMENT RISQUE LORS DU SOULÈVEMENT.

Assurez-vous de prendre des méthodes et de contrôles de soulèvement lors du soulèvement de l'appareil sur le toit du véhicule récréatif. Des méthodes et contrôles inadéquats représentent un risque de blessures.

1. Déballez l'appareil et jetez les matériaux d'emballage.
2. Ne glissez pas l'appareil sur son joint d'installation. Un joint endommagé peut provoquer une fuite. À deux personnes, soulevez l'appareil et déposez-le sur l'ouverture préparée. La face de l'appareil doit faire face au sens de la direction du véhicule récréatif. Vous risquez d'endommager le ventilateur du condensateur et l'échangeur ventilé si ces instructions ne sont pas respectées.

⚠ ATTENTION Il est important de lire et de comprendre les instructions d'installation avant de procéder à l'installation et à l'utilisation.

Une installation non sécuritaire de l'appareil sur le véhicule récréatif avant son déplacement représente un risque de blessure, voire la mort.

Ne faites pas fonctionner l'appareil ni le véhicule récréatif tant que l'appareil n'est pas installé en toute sécurité sur le toit.

3. Apportez tout l'ensemble de plafond et toute la quincaillerie de montage dans le véhicule récréatif. Tout le travail à l'extérieur du véhicule récréatif est maintenant terminé.

Instructions d'installation

E. MECHANICAL INSTALLTION NON-DUCTED (RARMN_ _)

1. Depuis l'intérieur du véhicule récréatif, vérifiez à nouveau la position et l'alignement du joint d'étanchéité au-dessus de l'ouverture du toit. Effectuez des ajustements si nécessaire. Le climatiseur peut être déplacé et ajusté en le poussant vers le haut depuis l'intérieur du véhicule récréatif.
2. Introduisez votre main dans le fond et tirez le cordon d'alimentation du climatiseur par l'ouverture du plafond.
3. Mesurez l'épaisseur entre le plafond et le toit.
4. Découpez des rangées au bas du déflecteur en mousse selon le tableau ci-dessous:

Espesor del techo al techo		Filas para cortar
Min.	Max.	
2	2.5	10
2.5	3	8
3.5	4	6
4.5	5	4
5	5.5	2
5.5	6	0

Meilleure pratique :

Découpez une rangée à la fois et vérifiez la position d'installation du déflecteur. Lorsque la mousse supérieure est comprimée au fond du climatiseur, le bas du déflecteur doit être encastré dans l'ouverture du plafond.

5. Installez les deux (2) plaques de retenue du déflecteur dans l'assemblage du plafond.
6. Retirez le couvercle des six (6) assemblages à cheville de l'assemblage de plafond.
7. Raccordez les six (6) connecteurs à broche du climatiseur monté au toit dans la boîte de commandes électroniques.
8. Serrez les 4 boulons uniformément à 35 ± 5 pouces livres à l'aide d'une clé dynamométrique au moins de 0 à 60 pouces-livres. Une compression uniforme est nécessaire pour éviter les fuites à travers le joint.



E. MECHANICAL INSTALLTION NON-DUCTED (RARMN_ _)

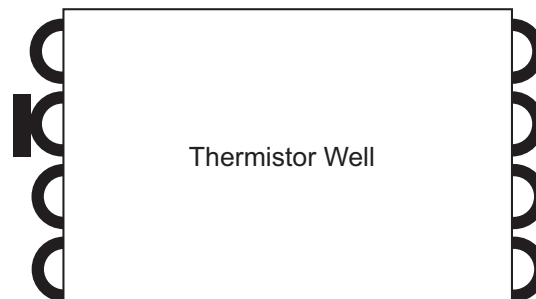
9. Remontez le couvercle des six (6) assemblages à cheville à l'assemblage de plafond.
10. Acheminez le cordon d'alimentation de 115 VCC dans le protecteur de cordon de l'assemblage de plafond. Serrez le protecteur de cordon en vous assurant de ne pas endommager les câbles.
11. Placez le déflecteur en mousse en place, entre les deux (2) plaques de retenue.
12. Poussez l'assemblage de plafond dans l'ouverture du toit et commencez à serrer manuellement les quatre (4) boulons de montage aux écrous du fond.
13. Serrez les 4 boulons uniformément à $45 + - 5$ pouces en utilisant un couple nominal minimum de 0 à 60 lb-po. Même la compression est nécessaire pour éviter les fuites à travers le joint.
14. Retirez le couvercle de la boîte de jonction.
15. À l'aide des connecteurs de fils fournis, connectez le fil de ligne sur le noir, le neutre sur le blanc, et le fil de terre sur le vert.
16. Sécurisez les capuchons avec du ruban isolant pour éviter tout déplacement éventuel causé par la vibration du véhicule récréatif.
17. Poussez les câbles et les capuchons de connexion dans la boîte de jonction. Réinstallez le couvercle de la boîte de jonction.
18. Alignez le panneau de plafond en plastique avec l'assemblage métallique.
19. Installez les deux (2) vis à tôle fournies pour fixer le panneau de plastique à l'assemblage métallique. Vous devrez retirer le filtre pour pouvoir installer ces vis.
20. Installez les 8 vis à bois fournies pour fixer le panneau en plastique sur le plafond du VR. Les charnières doivent être posées avec les portes d'évacuation d'air partiellement ouvertes, sinon ces vis seront difficiles à visser.
21. Assemblez le filtre et les portes d'évacuation d'air au panneau en plastique.
22. Installez les deux (2) boutons de commande.
23. L'installation est terminée. Reportez-vous à la section «Commandes» à la page 12 avant d'essayer de faire fonctionner le climatiseur.

F. INSTALLATION ÉLECTRONIQUE AVEC CONDUIT (RARED_ _)

1. Depuis l'intérieur du véhicule récréatif, vérifiez à nouveau la position et l'alignement du joint d'étanchéité au-dessus de l'ouverture du toit. Effectuez des ajustements si nécessaire. Le climatiseur peut être déplacé et ajusté en le poussant vers le haut depuis l'intérieur du véhicule récréatif.
2. Introduisez votre main dans le fond et tirez le cordon d'alimentation du climatiseur par l'ouverture du plafond.
3. Poussez le gabarit de montage de plafond dans l'ouverture du plafond et commencez à serrer manuellement les quatre (4) boulons de montage aux écrous de fond.
4. Serrez les 4 boulons de manière uniforme à 35 ± 5 pouces livres en utilisant un couple nominal minimum de 0 à 60 livres-pouce. Même la compression est nécessaire pour éviter les fuites à travers le joint.
5. Placez le déflecteur diviseur à sa place dans l'assemblage de plafond. Assurez-vous que le déflecteur est appuyé contre le fond et forme un joint étanche à l'air.
6. Montez le déflecteur diviseur au gabarit de montage en utilisant trois (3) vis.
7. Montez le déflecteur diviseur au bois d'ossature en utilisant deux (2) vis pour créer le joint étanche à l'air.
8. Montez la boîte de commandes principale au gabarit de montage en utilisant quatre (4) vis.
9. Retirez trois (3) vis de la boîte de commandes principale pour permettre l'ouverture de la charnière de la partie inférieure. Le tableau de commande est maintenant visible et accessible.
10. Acheminez le cordon d'alimentation de 115 VCC dans le protecteur de cordon de l'assemblage de plafond. Serrez le protecteur de cordon en vous assurant de ne pas endommager les câbles.
11. Raccordez le fil noir au fil noir, le fil blanc au fil blanc et la mise à la terre à la vis verte en utilisant les capuchons de connexion fournis.
12. Sécurisez les capuchons de connexion avec du ruban isolant pour éviter tout déplacement éventuel causé par la vibration du véhicule récréatif.
13. Acheminez les six (6) connecteurs à broche dans l'ouverture du protecteur de cordon de la boîte de commandes. Raccordez les six (6) connecteurs à broche au faisceau électrique de la boîte de commandes.
14. Avec les capuchons de connexion fournis, raccordez les deux (2) fils bleus de la fournaise, les trois (3) fils du thermostat (rouge, jaune, noir) et les deux (2) fils de batterie de 12 VCC (rouge et noir).

F. INSTALLATION ÉLECTRONIQUE AVEC CONDUIT (RARED_ _)

15. Tournez la partie inférieure de la boîte de commandes vers le haut en vous assurant de ne pas écraser de câbles. Vissez deux (2) vis pour fermer fermement la boîte de commandes.



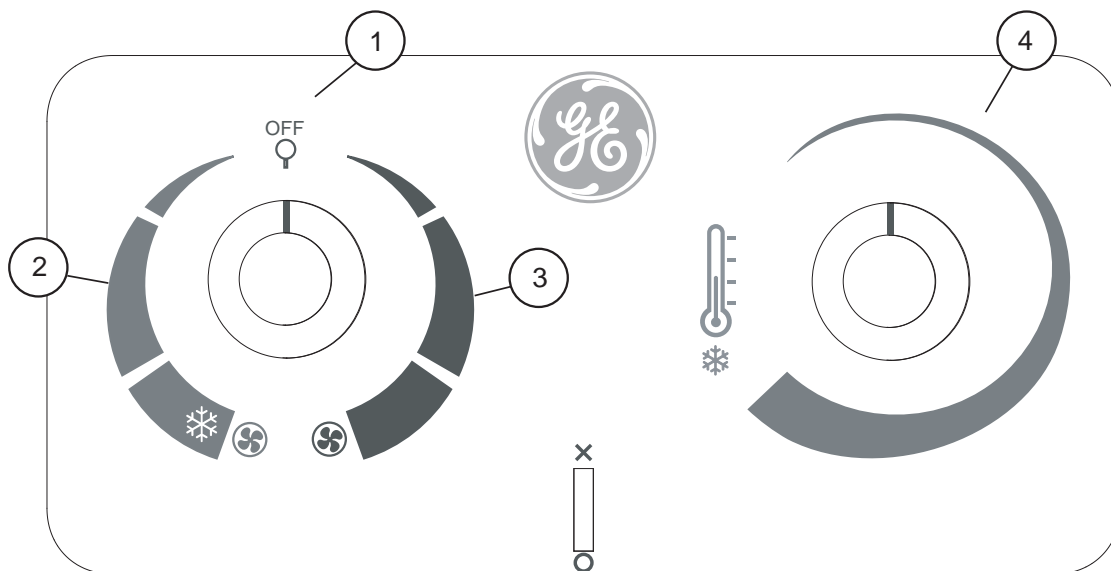
16. Si le capteur n'est pas installé, saisir le capteur de température du serpentin intérieur qui sort du boîtier de commande. Passez à travers le gabarit de montage et le plateau de base pour installer le capteur dans le puits de la thermistance du serpentin de l'évaporateur (voir la figure ci-dessous).
17. Alignez le panneau de plafond en plastique avec l'assemblage métallique.
18. Installez les six (6) vis à tôle fournies pour fixer le panneau de plastique à l'assemblage métallique. Le filtre et les cache-vis doivent être retirés pour pouvoir installer ces vis.
19. Assemblez le filtre et les cache-vis au panneau en plastique.
20. L'installation est terminée. Reportez-vous aux instructions d'utilisation du thermostat avant d'essayer de l'utiliser.

À noter que pour les modèles RARED_ _, on peut installer le gabarit de montage avant de placer l'unité de toit sur le RV selon la séquence suivante :

1. Mesurez et fixez la chicane pour division de l'air sur le gabarit de montage à l'aide de 3 vis.
2. Poussez le gabarit dans l'ouverture du toit et installez 4 vis à travers les trous de la plaque et dans le plafond du VR.
3. Suivez les étapes 7 à 12
4. Suivez l'étape 14
5. Suivez les étapes 1 à 2
6. Vissez à la main les boulons de montage à travers le gabarit puis dans les trous correspondants de l'unité de toit.
7. Suivez l'étape 4
8. Suivez l'étape 13
9. Suivez les étapes 15 à 20

Commandes

Les fonctions et l'aspect peut varier.



Commandes du conditionneur

Commandes

1. Hors tension

Le climatiseur est éteint dans cette position.

2. Modes de climatisation

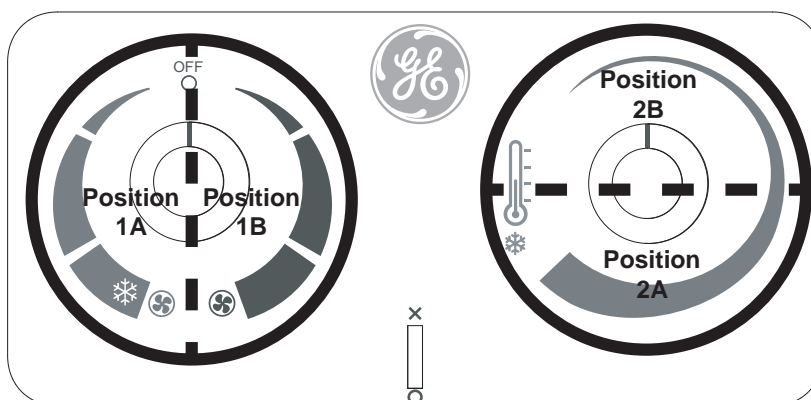
Avec ces positions, le compresseur et les ventilateurs fonctionnent pour fournir de l'air froid. Ces trois modes sont pour les vitesses du ventilateur : faible, moyenne et élevée.

3. Modes de ventilation seulement

Avec ces modes, les ventilateurs fonctionneront pour faire circuler l'air dans le véhicule récréatif. Ces trois modes sont pour les vitesses du ventilateur : faible, moyenne et élevée.

4. Sélection de température

Ce bouton détermine le point de consigne de la température de la pièce. Tournez ce bouton pour augmenter ou diminuer la température de l'air que le climatiseur devra fournir pour la pièce.



⚠ ATTENTION

Afin de prévenir le déclenchement du disjoncteur, attendez un minimum de 3 minutes entre la mise en arrêt et la remise en marche du compresseur (c.-à-d. attendre 3 minutes avant de tourner le cadran de la position 1A à 1B puis de retour à 1A, ou de la position 1B à 2B puis de retour à 1B (illustré ci-dessus).

Utilisant le conditionneur d'air

IMPORTANTE:

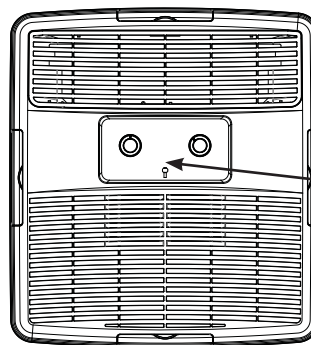
- Lorsque le climatiseur est mis à l'arrêt, attendre au moins 3 minutes avant de le remettre en marche. Ceci prévient la surcharge du compresseur. Ce délai de 3 minutes s'applique aussi pour le passage aux modes fraîcheur (Cool) et ventilateur (Fan).
- Ne pas essayer de faire fonctionner le climatiseur en mode fraîcheur (Cool) lorsque la température extérieure est inférieure à 15 °C (59°F). Le serpentin d'évaporateur interne gèlera et le climatiseur ne fonctionnera adéquatement.

- Afin de prévenir le déclenchement du disjoncteur lors du réglage du thermostat ou de la vitesse du ventilateur, attendez 3 minutes entre les cycles du compresseur pour allouer suffisamment de temps à l'équilibrage de la pression du réfrigérant.

Orientation de l'air

Utilisez le levier ou ouvrir l'évent sur la face du panneau de commandes.

Ouvrez ou fermez les quatre (4) sorties latérales pour régler la circulation d'air provenant du climatiseur.



Le levier est situé entre les deux boutons.

Vue de face

Ces phénomènes sont normaux

Lorsque votre climatiseur fonctionne normalement, vous pouvez entendre des sons comme :

- Le son de gouttelettes d'eau percutant le condensateur, causant un bruit d'eau percutant le métal ou un cliquetis. Les gouttelettes d'eau aident à refroidir le condensateur.
- Le déplacement d'air du ventilateur.
- Les clics des cycles du thermostat.
- Un ronflement aigu ou un bruit de pulsation produit par les cycles d'arrêt et de démarrage du compresseur.

Utilisant le conditionneur d'air

Panneau intérieur

Eteignez le climatiseur et débranchez le climatiseur avant le nettoyage.

Pour nettoyer, utilisez de l'eau et un détergent doux. N'utilisez pas d'eau de Javel ou d'abrasifs.

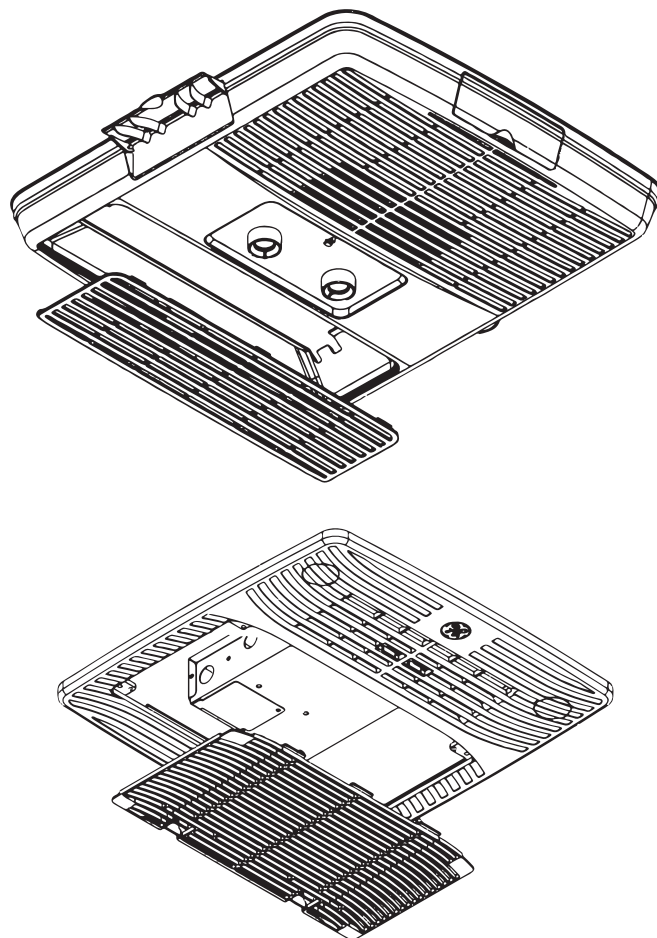
Filtre à air

Le filtre à air situé derrière la grille avant doit être vérifié et nettoyé au moins toutes les deux semaines et nettoyé si nécessaire.

NE PAS faire fonctionner le climatiseur sans filtre, car la saleté et les peluches l'encrassent et réduisent les performances.

Nettoyage du filtre à air

1. Éteignez le climatiseur.
2. Retirez le filtre à air et le gril en retirant soigneusement les 6 onglets du panneau principal. Puis séparez le filtre du gril.
3. Utilisez un aspirateur pour nettoyer le filtre à air. Si le filtre à air est très sale, nettoyez-le à l'eau tiède avec un détergent doux. Ne lavez pas le filtre à air au lave-vaisselle et n'utilisez aucun produit de nettoyage chimique. Séchez complètement le filtre à air avant de le remplacer pour assurer une efficacité maximale.
4. Remontez le filtre à air sur le gril.
5. Réassemblez soigneusement le gril et le filtre sur le panneau principal.
6. Allumer le climatiseur



Nettoyage du panneau avant

1. Éteignez le climatiseur.
2. Nettoyez le panneau avant avec un chiffon doux et humide.
3. Séchez complètement le panneau avant.
4. Allumez le climatiseur.

Maintenance annuelle

Votre climatiseur a besoin d'un entretien annuel pour assurer des performances optimales et constantes tout au long de l'année.

Appelez votre revendeur agréé local pour planifier un bilan de santé annuel. Les frais d'une inspection annuelle sont à votre charge.

Conseils de dépannage... avant d'appeler le service

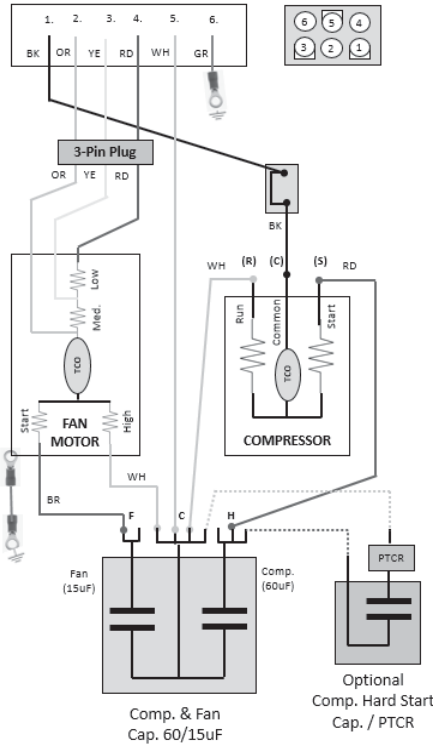
Économisez temps et argent! Examinez d'abord les tableaux suivants, un appel de service sera peut-être inutile.

Problème	Cause possible	Solution
Le climatiseur ne fonctionne pas.	Un fusible est grille ou le disjoncteur est déclenché.	Remplacez le fusible ou enclenchez à nouveau le disjoncteur. Si le problème persiste, appelez un électricien. Consultez le chapitre "Exigences électriques."
	Le réglage du mode est en position OFF.	Appuyez sur POWER ou réglez le mode sur un paramètre actif.
	Panne de courant locale.	Attendez que la panne soit rétablie.
Le climatiseur brûle les fusibles ou déclenche les disjoncteurs.	Trop d'appareils sont utilisés sur le même circuit.	Débranchez ou déplacez les appareils partageant le même circuit.
	Le fusible temporisé ou le disjoncteur n'est pas adapté à l'utilisation.	Remplacez par un fusible temporisé ou un disjoncteur adapté à l'utilisation. Consultez le chapitre "Exigences électriques."
	Vous avez éteint le climatiseur et n'avez pas attendu assez longtemps avant de le redémarrer.	Attendez au moins trois (3) minutes après avoir éteint le climatiseur avant de le remettre en marche.
Le climatiseur semble trop fonctionner.	Le climatiseur actuel remplace un vieux modèle.	L'utilisation de composants plus efficaces peut causer un fonctionnement plus long du climatiseur comparativement à un vieux modèle, mais la consommation énergétique sera moindre. Les nouveaux climatiseurs ne produisent plus de "coup de vent" d'air froid et vous êtes peut-être habitué à de l'air plus froid des vieux modèles, mais ceci n'est pas un indice de capacité ou d'efficacité de refroidissement moindre.
	Le climatiseur fonctionne dans une pièce occupée par plusieurs personnes ou des appareils de chauffage fonctionnent dans la pièce.	Utilisez une hotte pendant la cuisson ou un ventilateur de salle de bain pendant les douches et essayez de ne pas utiliser d'appareils produisant de la chaleur pendant les périodes les plus chaudes de la journée. Un climatiseur plus puissant peut être nécessaire, en fonction de la dimension de la pièce à refroidir.
Les cycles de mise en marche et d'arrêt du climatiseur sont trop fréquents et ne climatise pas la pièce en mode de refroidissement.	La capacité du climatiseur est insuffisante pour votre véhicule récréatif.	Vérifiez les capacités de refroidissement du climatiseur de votre véhicule récréatif.
	Le filtre est sale ou obstrué par des débris.	Nettoyez le filtre.
	Une chaleur ou de la moisissure excessives (ouverture de contenants de cuisson, douches, etc.) dans la pièce.	Utilisez un ventilateur pour évacuer la chaleur et l'humidité de la pièce. Essayez de ne pas utiliser d'appareils produisant de la chaleur pendant les périodes les plus chaudes de la journée.
	Les événements sont fermés.	Assurez-vous que les événements sont ouverts.
	Les persiennes ou les conduits sont fermés.	Ne tentez pas de faire fonctionner votre climatiseur en mode de refroidissement lorsque la température extérieure est inférieure à 18 °C (65 °F).
	La température extérieure est inférieure à 15 °C (60 °F).	Allouez une période plus longue de refroidissement au climatiseur lorsque la pièce est très chaude.
	Des fenêtres ou des portes menant à l'extérieur sont ouvertes.	Fermez toutes les portes et toutes les fenêtres.
	La commande de température n'est pas assez basse.	Ajustez la commande de température et de temps (TEMP/TIME) à un réglage plus froid en appuyant sur le bouton moins (-) pour diminuer la température. Réglez la commande de vitesse du ventilateur à l'intensité la plus élevée.
De l'eau s'égoutte de l'appareil à l'intérieur de la pièce	Le serpentin intérieur est peut-être gelé.	Faites dégeler le serpentin en faisant fonctionner seulement le ventilateur.
	Le joint d'étanchéité de montage du climatiseur ne permet pas l'étanchéité avec le toit.	Vérifiez les boulons de fixation et serrez-les à 45 ± 5 in-lb si nécessaire.

Schémas de principe

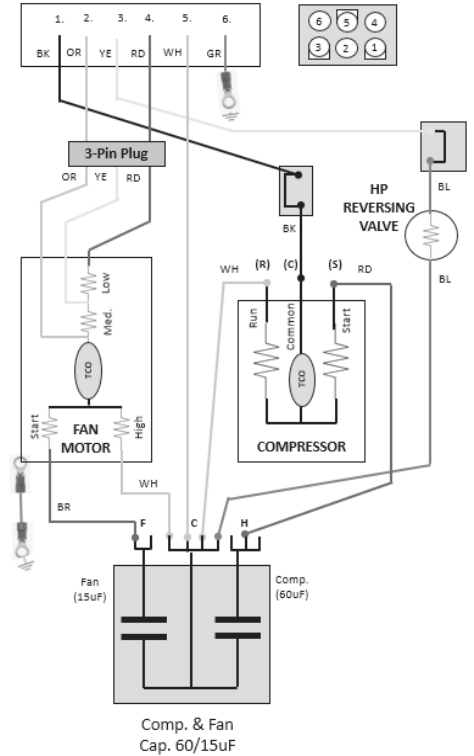
GE RVAC Outdoor Unit

Models
 ARC13AAC____
 ARC13AHC____
 ARC15AAC____



GE RVHP Outdoor Unit

Models
 ARH15AAC____

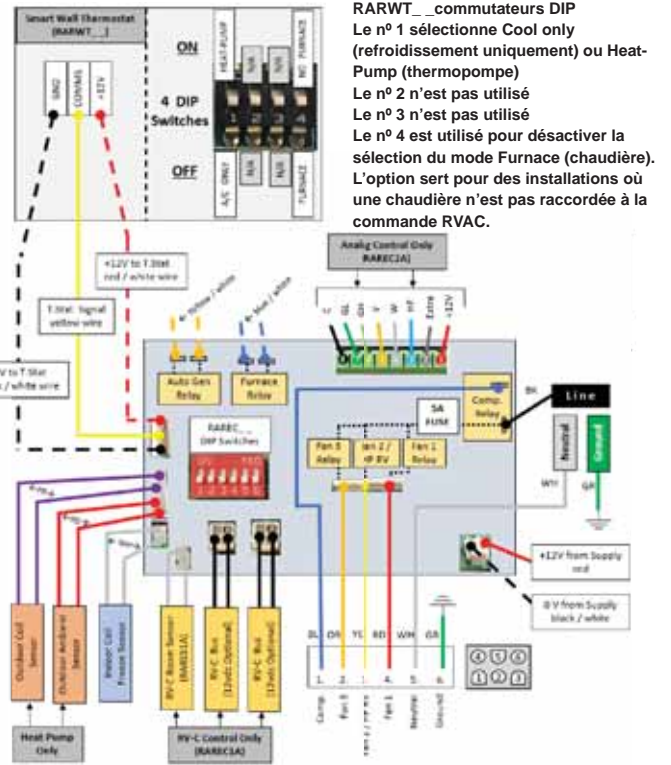
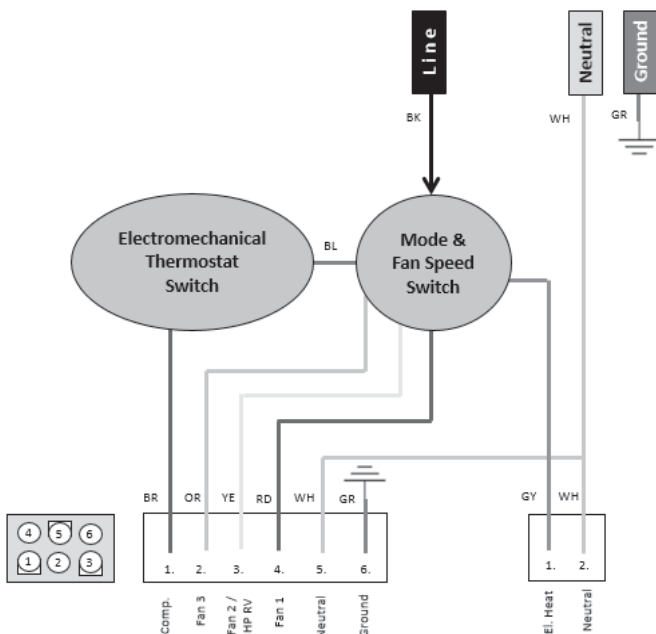


Ceiling Controls

- RARMC____
- RARWT____
- RAREC____

GE RVAC Indoor Assemblies

Ceiling Assembly
 RARMN1A_



RARWT_ commutateurs DIP
 Le n° 1 sélectionne Cool only (refroidissement uniquement) ou Heat-Pump (thermopompe)
 Le n° 2 n'est pas utilisé
 Le n° 3 n'est pas utilisé
 Le n° 4 est utilisé pour désactiver la sélection du mode Furnace (chaudière).
 L'option sert pour des installations où une chaudière n'est pas raccordée à la commande RVAC.

Garantie limitée du conditionneur d'air

Toute réparation sous garantie doit être réalisée par nos Centres de service en usine ou un technicien Customer Care® autorisé. Pour prévoir une réparation, consultez notre site electromenagersge.ca/soutien/demande-de-service ou appelez le 800.561.3344. Veuillez avoir votre numéro de série et votre numéro de modèle à portée de main lorsque vous appelez pour obtenir un service.

Pendant la période de garantie de :	GE Appliances remplacera :
Deux ans A compter de la date d'achat initial	Toute pièce du climatiseur qui se révèle défectueuse en raison d'un vice de matières ou de fabrication. Au cours de cette garantie limitée de deux ans, GE Appliances couvrira gratuitement les frais de main-d'œuvre et les frais de service associés pour remplacer la pièce défectueuse.

Ce qui n'est pas couvert par GE Appliances :

- Toute visite à votre domicile pour vous expliquer le fonctionnement de l'appareil.
- Une installation, une livraison ou un entretien inadéquats. Pour tout problème d'installation, ou si le climatiseur n'assure pas une climatisation adéquate, communiquez avec votre détaillant ou votre installateur. Vous avez la responsabilité de fournir les installations appropriées pour les raccordements électriques.
- Une défectuosité attribuable à une modification du produit, une utilisation déraisonnable ou un entretien inadéquat ou négligent.
- Dans les établissements commerciaux, la main-d'œuvre nécessaire pour amener l'appareil à un endroit où il pourra être accessible aux fins de réparation par un technicien.
- Le remplacement des fusibles ou le réenclenchement des disjoncteurs.
- Une défectuosité attribuable à la corrosion sur les modèles qui ne sont pas protégés contre la corrosion.
- Les dommages au produit attribuables à une alimentation électrique inadéquate, un accident, un incendie, une inondation ou un cas de force majeure.
- Tout dommage direct ou indirect à la propriété causé par une éventuelle défectuosité de ce climatiseur.
- Les dommages survenus après la livraison.

EXCLUSION DE GARANTIES IMPLICITES - Votre seul et unique recours consiste dans la réparation du produit selon les dispositions de cette Garantie limitée. Toutes les garanties implicites, incluant les garanties de qualité marchande et de convenance, sont limitées à deux ans ou à la période la plus courte autorisée par la loi.

Cette garantie limitée est offerte à l'acheteur initial et à tout propriétaire subséquent d'un produit acheté en vue d'une utilisation aux États-Unis et au Canada. Si le produit est installé dans une région non desservie par un réparateur autorisé GE Appliances, vous pourriez être tenu d'assumer des frais de déplacement ou d'apporter le produit à un centre de réparation autorisé GE Appliances. En Alaska, la garantie limitée ne couvre pas les frais d'expédition et les appels de service à votre domicile.

Dans certains États ou provinces, il est interdit d'exclure ou de limiter les dommages directs ou indirects. La présente garantie limitée vous confère des droits juridiques spécifiques. Vous pouvez bénéficier d'autres droits qui varient d'une province ou d'un État à l'autre. Pour connaître les droits dont vous bénéficiez dans votre région, communiquez avec des relations avec les consommateurs de votre région ou encore le Procureur général de votre État.

Garant : GE Appliances, a Haier company
Louisville, KY 40225

Agrafez votre facture ici. Pour bénéficier du service de réparation sous garantie, une preuve de la date d'achat initial est nécessaire.

Soutien au consommateur

Site Web de GE Appliances

Vous avez une question ou vous avez besoin d'aide pour votre appareil électroménager? Visitez le site Web de GE Appliances 24 heures par jour, tous les jours de l'année! Vous pouvez aussi y trouver d'autres formidables produits GE Appliances et tirer avantage de tous nos services d'assistance en ligne. Aux États-Unis : **GEAppliances.com**

Enregistrez votre électroménager

Enregistrez votre nouvel appareil en ligne au moment qui vous convient le mieux! L'enregistrement de votre produit dans les délais prescrits permet une meilleure communication et un service rapide, selon les modalités de votre garantie, si besoin est. Vous pouvez également envoyer par courrier la carte d'enregistrement pré-imprimée qui se trouve dans l'emballage de votre appareil.

Aux États-Unis : **GEAppliances.com/register**

Service de réparation

Un service de réparation expert GE Appliances se trouve à quelques pas de chez vous. Rendez-vous sur notre site et programmez, à votre convenance, une visite de réparation à n'importe quel jour de l'année.

Aux États-Unis : **GEAppliances.com/service** ou composez le 800.432.2737 durant les heures normales de bureau.

Prolongation de garantie

Procurez-vous une prolongation de garantie GE Appliances et informez-vous des rabais spéciaux en vigueur pendant la durée de votre garantie. Vous pouvez vous la procurer en ligne en tout temps. Les services GE Appliances seront toujours disponibles après l'expiration de la garantie. Aux États-Unis :

GEAppliances.com/extended-warranty ou composez le 800.626.2224 durant les heures normales de bureau.

Connectivité à distance

Pour de l'assistance concernant la connectivité au réseau sans fil (pour les modèles équipés de cette fonction), visitez notre site Web au **GEAppliances.com/connected-home-smart-appliances** ou composez le 800.220.6899 aux États-Unis seulement.

Pièces et accessoires

Les personnes ayant les compétences requises pour réparer elles-mêmes leurs appareils peuvent recevoir directement à la maison des pièces ou accessoires (les cartes VISA, MasterCard et Discover sont acceptées). Commandez en ligne 24 heures par jour.

Aux États-Unis : **GEApplianceparts.com** ou par téléphone au 877.959.8688 durant les heures normales de bureau.

Les instructions contenues dans le présent manuel comportent des procédures que tout utilisateur peut effectuer. Les autres types de réparation doivent généralement être confiés à un technicien qualifié. Usez de prudence : une réparation ou un entretien mal effectués peuvent rendre l'utilisation de l'appareil dangereuse.

Communiquez avec nous

Si vous n'êtes pas satisfait du service après-vente de GE Appliances, communiquez avec nous depuis notre site Web en fournissant tous les détails dont votre numéro de téléphone, ou écrivez à :

Aux États-Unis : General Manager, Customer Relations | GE Appliances, Appliance Park | Louisville, KY 40225
GEAppliances.com/contact



ACCONDICIONADORES DE AIRE PARA SALA

INFORMACIÓN DE SEGURIDAD . . . 3

Instrucciones de instalación

Antes de comenzar 4
 Herramientas Que Necesitará 4
 RARMN_ _ 5
 RAREN_ _ 6
 RARED_ _ 7
 A. Requisitos para instalaciones 8
 B. Requisitos y preparación del techo 9
 C. Requisitos Eléctricos. 9
 D. Colocación de la unidad en el techo . . . 9
 E. Instalación del control mecánico 10
 F. Inst. Del control eléctrico 11

USO DEL ACONDICIONADOR DE AIRE

Controles 12
 Air Direction 13
 Sonidos de operación normales 13

CUIDADO Y LIMPIEZA

Parrilla y Caja 14
 Filtro de Aire 14
 Mantenimiento anual 14

SOLUCIÓN DE PROBLEMAS

Consejos para la solución de problemas . 15

DIAGRAMAS ESQUEMÁTICOS . 16

GARANTÍA LIMITADA 17

SOPORTE AL CLIENTE 18

MANUAL DEL PROPIETARIO

Unidades de Techo:

- ARC13AAC_
- ARC15AAC_
- ARC13AHC_
- ARH15AAC_

Ensamblajes de Interior

- RARMN_ _
- RAREN_ _
- RARED_ _

ESPAÑOL

Escriba los números de modelo y de serie aquí:

Nº de Modelo _____

Nº de Serie _____

Estos números se encuentran en una etiqueta al costado del acondicionador de aire.

GRACIAS POR HACER QUE GE APPLIANCES SEA PARTE DE SU HOGAR.

Ya sea que haya crecido usando GE Appliances, o que ésta es su primera vez, nos complace tenerlo en la familia.

Sentimos orgullo por el nivel de arte, innovación y diseño de cada uno de los electrodomésticos de GE Appliances, y creemos que usted también. Entre otras cosas, el registro de su electrodoméstico asegura que podamos entregarle información importante del producto y detalles de la garantía cuando los necesite.

Registre su electrodoméstico GE ahora a través de Internet. Sitios Web y números telefónicos útiles están disponibles en la sección de Soporte para el Consumidor de este Manual del Propietario.



GE APPLIANCES

INFORMACIÓN IMPORTANTE DE SEGURIDAD

LEA TODAS LAS INSTRUCCIONES ANTES DE USAR

⚠ ADVERTENCIA Para su seguridad, siga las instrucciones de este manual a fin de minimizar riesgos de incendio, descargas eléctricas o lesiones personales.

- Use este electrodoméstico sólo para su propósito original, como se describe en el Manual del Propietario.
- Este acondicionador de aire deberá ser instalado de forma apropiada de acuerdo con las Instrucciones de Instalación antes de su uso.
- Reemplace de inmediato todos los cables de corriente pelados o con cualquier tipo de daño.
- Apague la unidad y desconecte toda la corriente del vehículo antes de realizar la limpieza y el servicio técnico.
- A fin de evitar riesgos de lesiones o daños sobre la propiedad, el servicio técnico del acondicionador de aire sólo deberá ser realizado por un técnico calificado, quien deberá poseer un certificado actualizado y validado por una autoridad de evaluación industrial acreditada, la cual autorice su competencia para manejar refrigerantes de forma segura, de acuerdo con una especificación de evaluación industrial reconocida.
- Para su seguridad... no acumule ni use materiales combustibles, gasolina u otros vapores o líquidos inflamables cerca de éste u otro electrodoméstico.
- Todos los acondicionadores de aire contienen refrigerantes, los cuales de acuerdo con la ley federal deben ser retirados antes de deshacerse del producto. Si se deshará de un producto antiguo con refrigerantes, consulte a la compañía a cargo sobre cómo deshacerse del mismo.
- Estos sistemas de acondicionadores de aire R410A requieren que los contratistas y técnicos usen herramientas, equipos y estándares de seguridad aprobados para su uso con este refrigerante. NO use equipamiento certificado sólo para el refrigerante R22.

Instrucciones de instalación

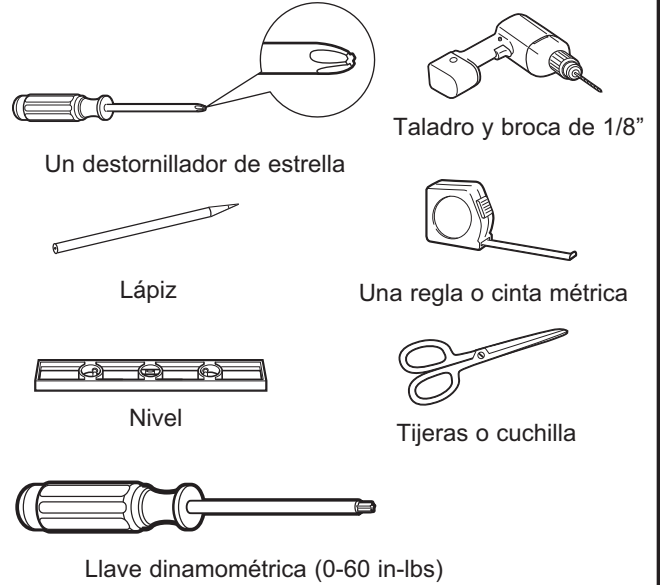
¿Preguntas? Llame 800.GE.CARES (800.432.2737) o visite nuestra página en la red en: GEAppliances.com

ANTES DE INICIAR

Lea estas instrucciones completa y cuidadosamente.

- Guarde estas instrucciones para uso del inspector local.
- Observe todos los códigos y órdenes de ley.
- **Nota al instalador** – Asegúrese de dejar estas instrucciones con el consumidor.
- **Nota al consumidor** – Conserve estas instrucciones para referencia futura..
- **Nivel de destreza** – La instalación de este aparato requiere de destrezas mecánicas básicas.
- **Tiempo de ejecución** – Aprox. 1 hora
- Recomendamos dos personas para la instalación de este producto.
- La instalación apropiada es la responsabilidad del instalador.
- La falla del producto debido a una instalación inadecuada no está cubierta por la garantía.
- Cuando instale este acondicionador de aire, DEBE usar todas las piezas suministradas y usar procedimientos adecuados de instalación.

HERRAMIENTAS QUE NECESITARÁ



⚠ PRECAUCIÓN

Tenga cuidado con los bordes afilados, ya que pueden causar lesiones. Al levantar el aire acondicionado, use 2 personas para levantarlo.

El cableado eléctrico puede estar presente entre el techo y el techo. Asegúrese de que la alimentación esté desconectada de la red eléctrica y la batería. Asegúrese de que el suministro de gas esté cerrado. De lo contrario, puede sufrir lesiones o la muerte.

Tabla nº1 – Listado de Compatibilidad de Modelos

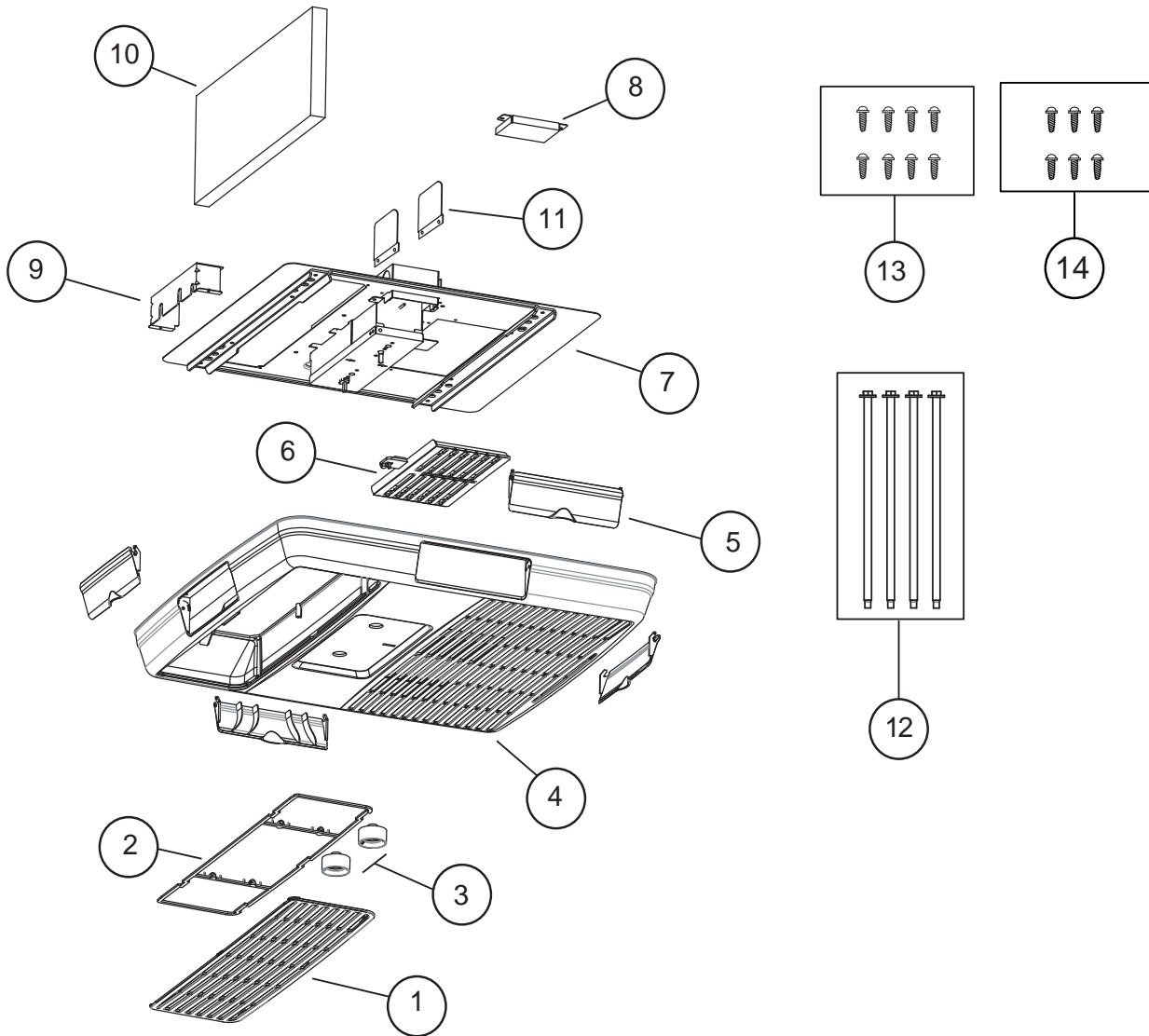
Unidades de Exterior	Unidades de Interior			Tamaño del Disyuntor
	RARMN__	RAREN__	RARED__	
ARC13AHC_	✓	✓	✓	15A
ARC13AAC_	✓	✓	✓	20A
ARC15AAC_	✓	✓	✓	20A
ARH15AAC_		✓	✓	20A

	Unidades de Interior		
	RARMN* Mecánica Sin Conducto	RAREN* Electrónica Sin Conducto	RARED* Electrónica Con Conducto
Elec. Control RARMC__ RAREC__		✓	✓
Wall Thermostat RARWT__		✓	✓

Instrucciones de instalación

RARMN_ -Mecánica Sin Conducto

Verifique el contenido de los accesorios suministrados con su aire acondicionado como se muestra a continuación:

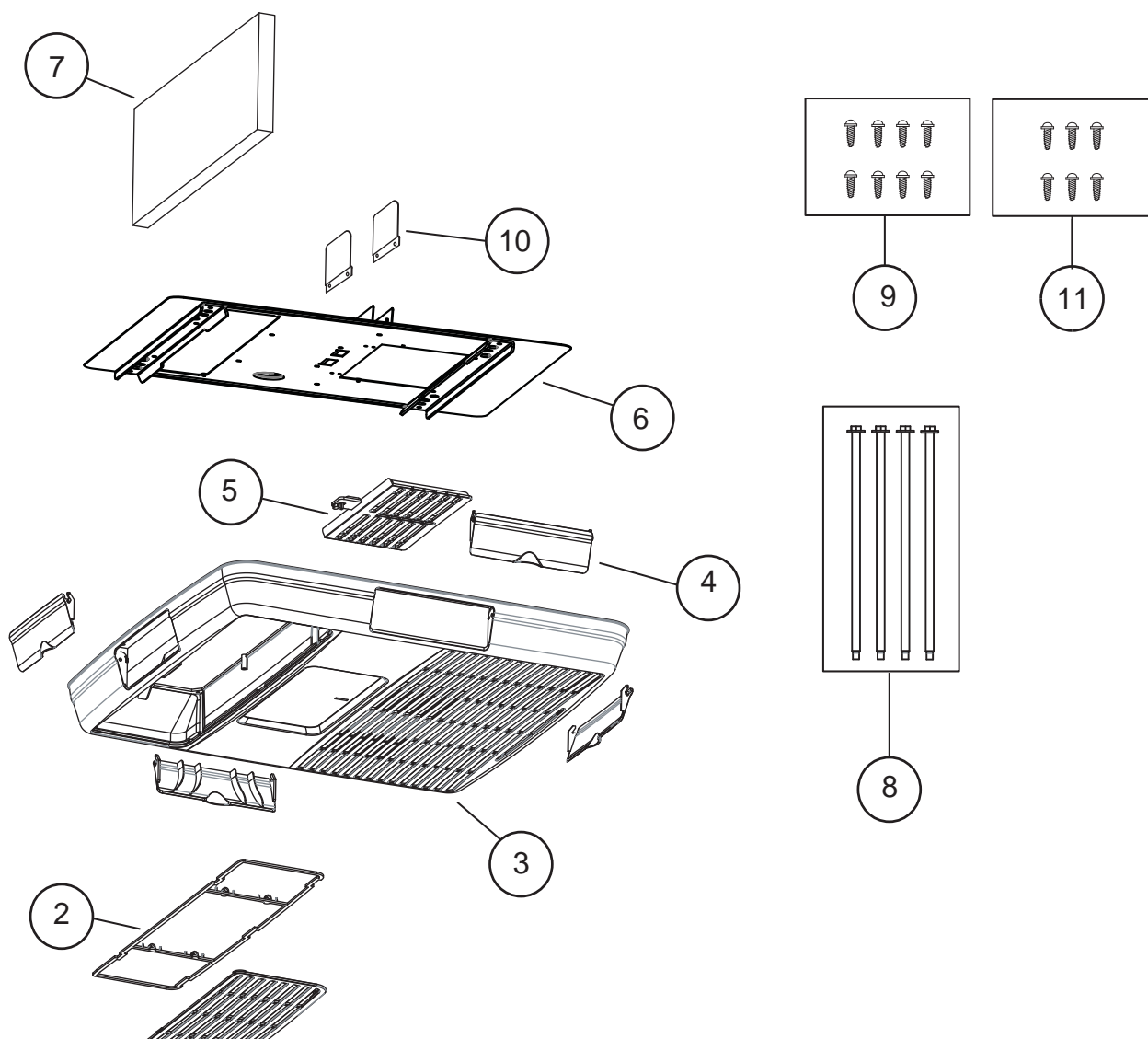


Número	Nombre de parte	Cantidad
1	Filtro de retención	1
2	Filtro	1
3	Botón	2
4	Panel de techo	1
5	Puertos de descarga lateral	4
6	Guía de descarga directa	1
7	Plantilla de montaje	1
8	Cubierta de la caja de conexiones	1
9	Escudo de conexión	1
10	Deflector de división aérea	1
11	Pernos de montaje M8	2
12	Tornillos para madera	4
13	Deflector de placas de retención	8
14	Tornillos de chapa	6

Instrucciones de instalación

RAREN_ _-Electrónica Sin Conducto

Verifique el contenido de los accesorios suministrados con su aire acondicionado como se muestra a continuación:

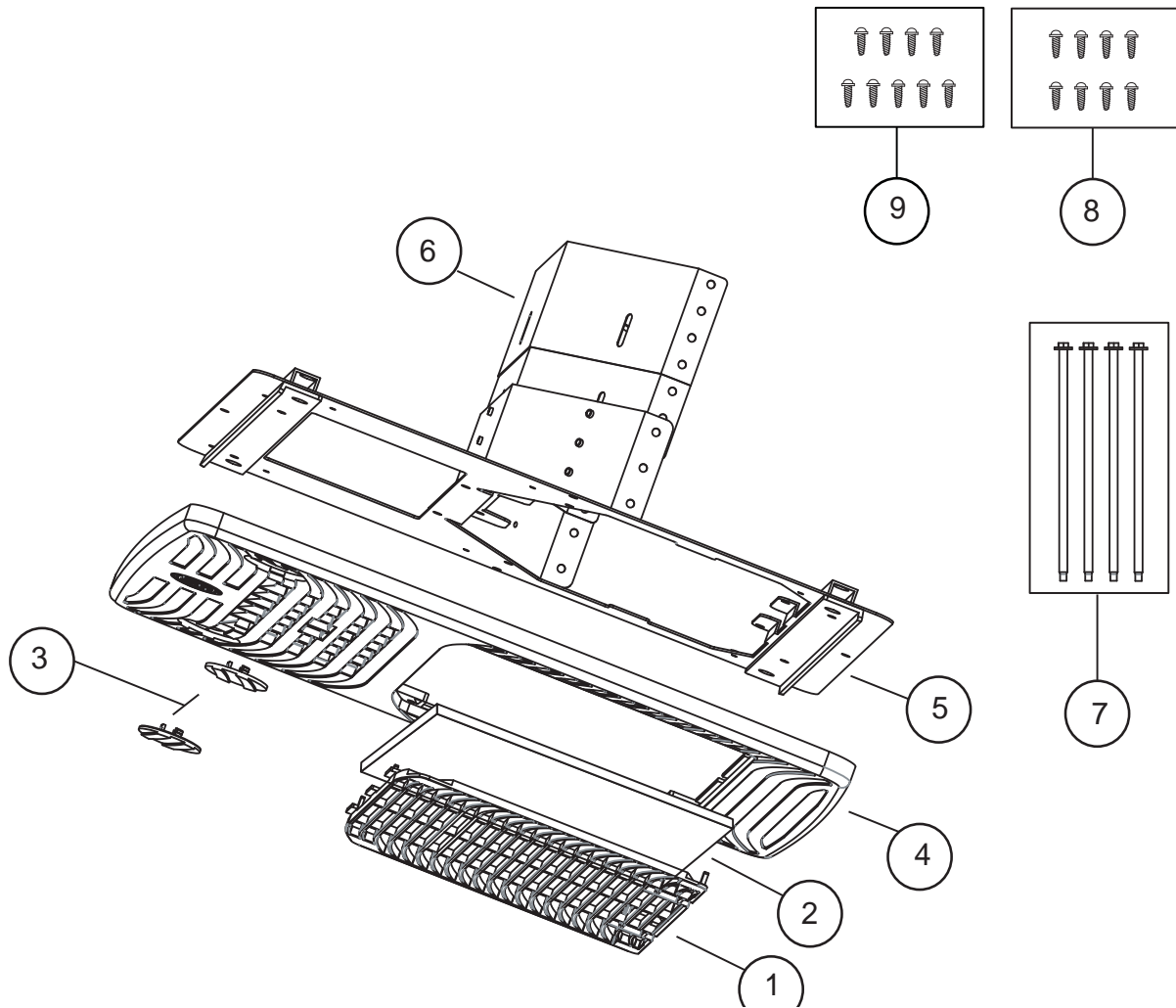


Número	Nombre de parte	Cantidad
1	Filtro de retención	1
2	Filtro	1
3	Panel de techo	1
4	Puertos de descarga lateral	4
5	Guía de descarga directa	1
6	Plantilla de montaje	1
7	Deflector de división aérea	1
8	Pernos de montaje M8	4
9	Tornillos para madera	8
10	Baffle retainer plates	2
11	Tornillos de chapa	6

Instrucciones de instalación

RARED_ _-Electrónica Con Conducto

Verifique el contenido de los accesorios suministrados con su aire acondicionado como se muestra a continuación:



Número	Nombre de parte	Cantidad
1	Filtro de retención	1
2	Filtro	1
3	Screw Cover	2
4	Panel de techo	1
5	Plantilla de montaje	1
6	Deflector de división aérea	1
7	Pernos de montaje M8	4
8	Tornillos de montaje	8
9	Tornillos de chapa	9

Instrucciones de instalación

⚠ ADVERTENCIA RIESGO DE DESCARGA ELÉCTRICA

Se podrá producir la muerte o daños graves como resultado de no seguir estas instrucciones.

- Desconecte el suministro de corriente de 120 VAC antes de iniciar la instalación y/o el servicio técnico.
- Asegúrese de que el producto se encuentre correctamente conectado a tierra, de acuerdo con los códigos aplicables.
- Reemplace todas las piezas y paneles antes del uso.

A. REQUISITOS PARA INSTALACIONES EN TECHOS Y DETERMINACIÓN DE LA UBICACIÓN DE LA INSTALACIÓN

Los acondicionadores cubiertos en este manual fueron diseñados para su instalación en techos de vehículos recreativos. La instalación de este acondicionador de aire deberá ser realizada de acuerdo con NFPA 1192 y NFPA 70. Para una correcta instalación, se deberá contar con una abertura cuadrada de $14 \frac{3}{8}'' \times 14 \frac{3}{8}'' (+\frac{1}{4}'')$ en el techo y en el cielorraso del vehículo recreativo. Deberá haber entre 2 y 6 pulgadas entre el cielorraso y el techo del vehículo recreativo. Los acondicionadores de aire cubiertos en este manual cuentan con un diseño que se adapta a aberturas de ventilación de techos ya existentes. Si no se cuenta con

una abertura de ventilación de techo disponible, utilice las siguientes pautas: La unidad deberá ser instalada de forma centrada entre un lado y otro del techo del vehículo recreativo. La unidad deberá ser instalada en una sección del techo donde se encuentre nivelada con respecto al techo del vehículo recreativo, si éste se encuentra en una superficie plana y nivelada. El techo en este punto de la instalación puede tener una inclinación máxima de 15 grados hacia el frente o la parte trasera del vehículo recreativo.

- Figura 1: Unidad exterior**
- Figura 2: Unidad interior**
- Figura 3: Unidad con conducto**

Figura 1: Unidad exterior

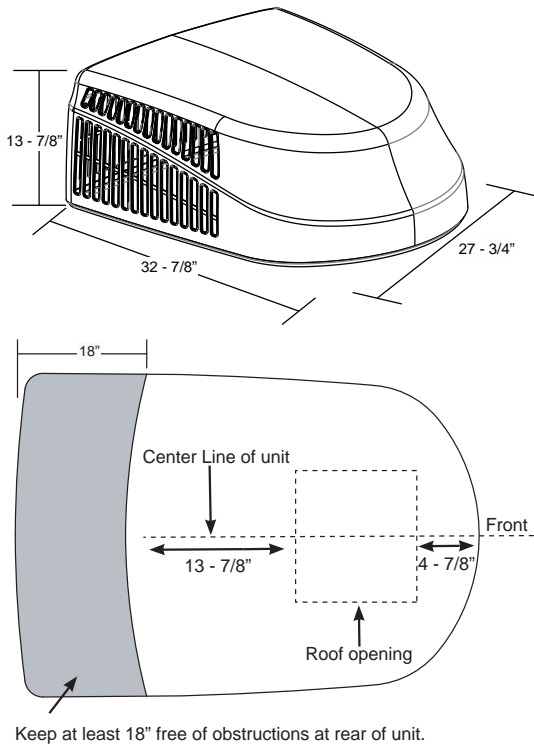


Figura 2: Unidad interior

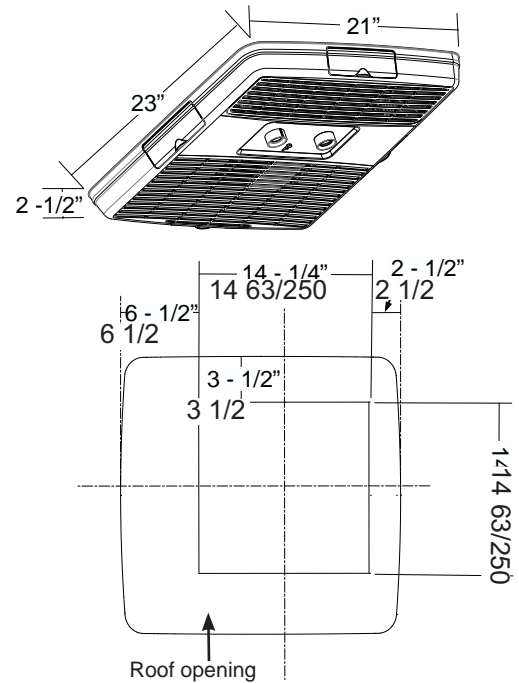
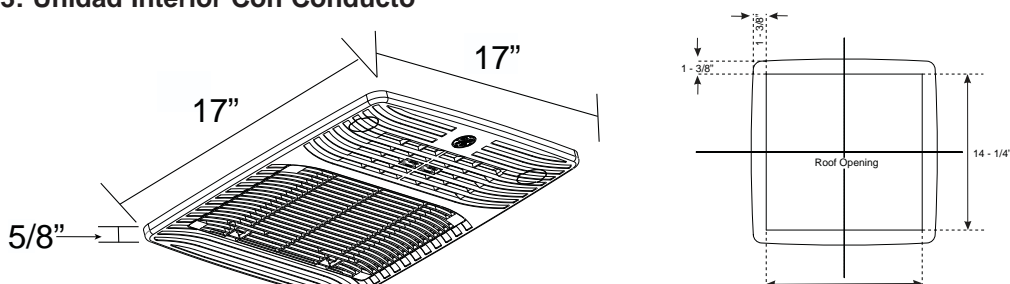


Figura 3: Unidad Interior Con Conducto



Instrucciones de instalación

B. REQUISITOS Y PREPARACIÓN DEL TECHO

Si se usará una abertura de ventilación del techo ya existente:

1. Destornille y retire la ventilación del techo del vehículo recreativo.
2. Selle todos los agujeros y juntas con un sellador resistente al clima.
3. Mida el ancho y la longitud de la abertura de la ventilación. Su tamaño deberá ser modificado.

Si no se usará una abertura ya existente, se deberá realizar una nueva abertura a través del techo y del cielorraso del vehículo recreativo.

1. Esta abertura DEBERÁ estar entre los miembros estructurales del techo.
2. NO corte los miembros estructurales del techo para crear la abertura para este acondicionador de aire. Hacer esto podrá ocasionar daños sobre el vehículo recreativo y el acondicionador de aire.
3. NO cree un punto bajo sobre el techo del vehículo recreativo. Se podrá acumular agua y gotear a través de la abertura.

La abertura cuadrada se deberá encerrar con un marco de un grosor mínimo de $\frac{3}{4}$ ", a fin de resistir la carga de los tornillos de compresión.

Asegúrese de brindar un agujero de acceso para el cableado del vehículo recreativo hacia el frente de la abertura de $14 \frac{3}{8}$ " x $14 \frac{3}{8}$ ".

El techo y la estructura del vehículo recreativo en el punto de instalación deberán ser lo suficientemente fuertes como para soportar el acondicionador de aire sin ningún tipo de desviación. Una desviación hará que el agua se acumule en la junta del acondicionador de aire, lo cual podrá ocasionar goteos.

C. REQUISITOS ELÉCTRICOS

Estos modelos requieren un tomacorriente de 115 voltios y 60 Hz protegido con un fusible de retraso de 20 amperes o un disyuntor.

Use un mínimo de cable de cobre de 12 AWG enfundado, sin conexión a tierra.

Asegúrese de pasar el cable de suministro de 16" a través del marco. Esto asegurará que haya suficiente cable disponible para una conexión fácil de la caja de empalmes.

D. COLOCACIÓN DE LA UNIDAD EN EL TECHO

⚠ PRECAUCIÓN RIESGO AL LEVANTAR Asegúrese de que se utilicen métodos y controles al levantar la unidad hasta el techo del vehículo recreativo. Si no se cumple con esto, se podrán producir lesiones.

1. Retire la unidad del embalaje y elimine el mismo.
2. No deslice la unidad sobre su junta de montaje. Cualquier daño sobre la junta podrá generar goteos. Contando con dos personas, levante la unidad y coloque la misma sobre la unidad preparada. El frente de la unidad deberá mirar en la dirección hacia la cual el vehículo recreativo viaja. Si no se siguen estas instrucciones, se podrán producir daños sobre el ventilador del condensador y la bobina.

⚠ ADVERTENCIA Es importante leer y entender estas instrucciones de instalación antes de la instalación y el uso.

Si la unidad no se instala de forma segura en el vehículo recreativo antes de mover este último, se podrán producir lesiones personales o la muerte.

No utilice la unidad ni el vehículo recreativo hasta que la unidad se encuentre completamente asegurada en el techo.

3. Traiga el ensamble del cielorraso con todos los materiales de montaje provistos al vehículo recreativo. Todo el trabajo en el exterior del vehículo recreativo está ahora completo.

Instrucciones de instalación

E. INSTALACIÓN MECÁNICA SIN CONDUCTO (RARMN_ _)

- Desde dentro del vehículo recreativo, realice un control doble del posicionamiento y alineación de la junta sobre la abertura del techo. De ser necesario, realice ajustes. El acondicionador de aire podrá ser movido y ajustado empujando hacia arriba desde dentro del vehículo recreativo.
- Alcance la bandeja de la base y tire del cable de corriente eléctrica desde el acondicionador de aire a través de la abertura del cielorraso.
- Mida el grosor entre el cielorraso y el techo.
- Corte las filas desde la parte inferior del separador de gomaespuma, de acuerdo con la siguiente tabla:

Grosor del cielorraso hasta el techo		Filas a cortar
Mínimo	Máximo	
2	2.5	10
2.5	3	8
3.5	4	6
4.5	5	4
5	5.5	2
5.5	6	0

Mejor Procedimiento:

Corte una fila por vez, y controle la posición del separador en la instalación. Con la gomaespuma superior comprimida sobre la bandeja de la base del acondicionador de aire, la parte inferior de la fila deberá estar nivelada con la abertura del cielorraso.

- Instale las 2 placas de retención del separador sobre el ensamble del cielorraso.
- Destornille y retire la tapa de conexión de 6 pernos desde el ensamble del cielorraso.
- Enchufe el conector de 6 pernos del acondicionador de aire montado en el techo en la caja de control electrónico.
- Apriete los 4 pernos de manera uniforme a 35 ± 5 pulgadas libras con una llave dinamométrica de al menos 0-60 pulgadas-libras. Incluso se requiere compresión para evitar fugas a través de la junta.



E. INSTALACIÓN MECÁNICA SIN CONDUCTO (RARMN_ _)

- Vuelva a ensamblar la tapa de conexión de 6 pernos al ensamble del cielorraso.
- Dirija el cable de corriente de 115 VAC a través del amortiguador de refuerzo del ensamble del cielorraso. Ajuste el amortiguador de refuerzo, asegurándose de no dañar los cables.
- Coloque el separador de gomaespuma en su posición entre las 2 placas de retención.
- Empuje el ensamble del cielorraso dentro de la abertura del techo, y comience a enroscar manualmente cada uno de los 4 tornillos de montaje a través de las tuercas de la bandeja de la base.
- Ajuste los 4 tornillos de forma pareja hasta las 45 ± 5 libras, usando una torsión mínima de 0-60 pulg./libra. Se requiere una compresión pareja a fin de evitar goteos a través de la junta.
- Retire la tapa de la caja de empalmes.
- Utilizando los conectores de cables provistos, conecte la línea al negro, el neutro al blanco, y el cable a tierra al verde.
- Usando cinta aisladora, asegure los conectores a fin de evitar cualquier movimiento posible debido a una vibración del vehículo.
- Empuje los cables y conexiones dentro de la caja de empalmes. Vuelva a instalar la tapa de la caja de empalmes.
- Alinee el panel del cielorraso con el ensamble metálico.
- Instale los 2 tornillos para chapa metálica a fin de adherir el panel de plástico al ensamble metálico. El filtro se deberá retirar para instalar estos tornillos.
- Instale los 8 tornillos de madera provistos, a fin de asegurar el panel de plástico al cielorraso del RV. Las puertas de salida de aire deberán estar parcialmente abiertas, ya que de otro modo será difícil colocar estos tornillos.
- Ensamble el filtro y las puertas de descarga de aire en el panel de plástico.
- Instale las 2 perillas de control.
- La instalación está completa. Consulte la sección de "Controles" en la página 12 antes de intentar utilizar el acondicionador de aire.

Instrucciones de instalación

F. INSTALACIÓN ELECTRÓNICA SIN CONDUCTO (RARED__)

1. Desde dentro del vehículo recreativo, realice un control doble del posicionamiento y alineación de la junta sobre la abertura del techo. De ser necesario, realice ajustes. El acondicionador de aire podrá ser movido y ajustado empujando hacia arriba desde dentro del vehículo recreativo.
2. Alcance la bandeja de la base y tire del cable de corriente eléctrica desde el acondicionador de aire a través de la abertura del cielorraso.
3. Empuje la plantilla de montaje del cielorraso dentro de la abertura del techo, y comience a enroscar manualmente cada uno de los 4 tornillos de montaje a través de las tuercas de la bandeja de la base.
4. Ajuste los 4 tornillos de forma pareja hasta las 35 ± 5 libras, usando una torsión mínima de 0-60 pulgadas/libra. Se requiere una compresión pareja a fin de evitar goteos a través de la junta.
5. Coloque el separador en su posición sobre el ensamble del cielorraso. Asegúrese de que el separador sea presionado contra la bandeja de la base, formado un sellado hermético.
6. Monte el separador sobre la plantilla de montaje usando tres tornillos.
7. Monte el separador sobre el tablón del marco usando dos tornillos, y creando un sellado hermético.
8. Monte la caja de control principal sobre la plantilla de montaje usando cuatro tornillos.
9. Retire los tres tornillos de la caja de control principal, permitiendo que la sección inferior se abra girando sobre la bisagra. El tablero de control está ahora visible y accesible.
10. Dirija el cable de corriente de 115 VAC a través del amortiguador de refuerzo de la caja de control. Ajuste el amortiguador de refuerzo, asegurándose de no dañar los cables.
11. Utilizando los conectores de cables provistos, conecte el negro con el negro, el blanco con el blanco, y tierra con el verde.
12. Usando cinta aisladora, asegure los conectores a fin de evitar cualquier movimiento posible debido a una vibración del vehículo.
13. Dirija el conector de 6 pernos a través de la abertura del amortiguador de refuerzo de la caja de control. Haga coincidir el conector de 6 pernos con el arnés de cables de la caja de control.
14. Utilizando los conectores de cables provistos, conecte los 2 cables del calentador (azules), los 3 cables del termostato (rojo, amarillo, negro), y los dos cables de batería de 12 VDC (rojo y negro).

F. INSTALACIÓN ELECTRÓNICA SIN CONDUCTO (RARED__)

15. Gire la sección baja de la caja de control hacia arriba, asegurándose de no chocar ningún cable. Coloque dos tornillos, asegurando que la caja de control quedará cerrada.



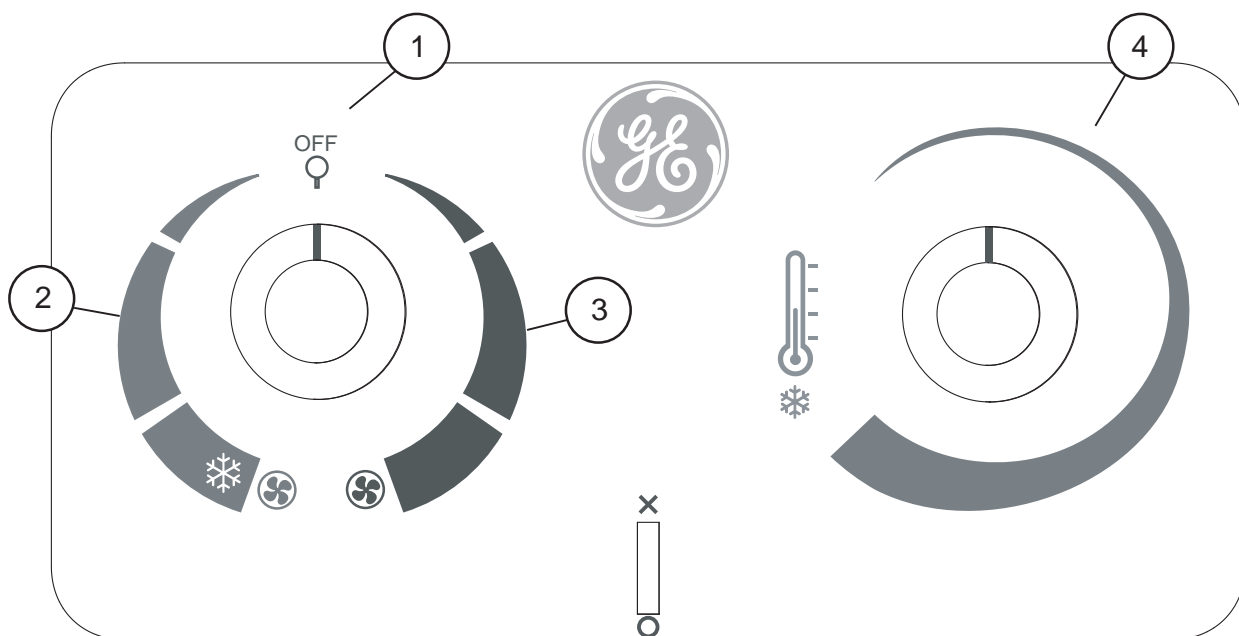
16. Si el sensor no está instalado tome el sensor de temperatura de la bobina interior, que está colgando hacia afuera de la caja de control. Alcance la plantilla de montaje y la bandeja de la base para instalar el sensor en el enchufe del termistor de la bobina del evaporador (observe la siguiente figura).
17. Alinee el panel del cielorraso con el ensamble metálico.
18. Instale los 6 tornillos para chapa metálica a fin de adherir el panel de plástico al ensamble metálico. El filtro y las tapas de los tornillos se deberán retirar para instalar estos tornillos.
19. Ensamble el filtro y las tapas de los tornillos sobre el panel de plástico.
20. La instalación está completa. Consulte las instrucciones de funcionamiento del termostato antes de intentar utilizar el mismo.

Nota para los modelos RARED__ la plantilla de montaje se podrá instalar antes de colocar la unidad del techo en el coche, de acuerdo con la siguiente secuencia:

1. Mida y adhiera el separador a la plantilla de montaje utilizando 3 tornillos.
2. Presione la plantilla de montaje sobre la abertura del techo y coloque 4 tornillos a través de los agujeros de la placa y en el techo del coche.
3. Siga los pasos 7 a 12.
4. Siga el paso 14.
5. Siga los pasos 1 y 2.
6. Enrosque manualmente los tornillos de montaje a través de la plantilla de montaje y en los agujeros correspondientes de la unidad del techo.
7. Siga el paso 4.
8. Siga el paso 13.
9. Siga los pasos 15 a 50.

Controles

Las funciones y la apariencia podrán variar.



Controles del Acondicionador de Aire

Controles

1. Apagado

El acondicionador de aire está en la posición de apagado.

2. Modos del Acondicionador de Aire

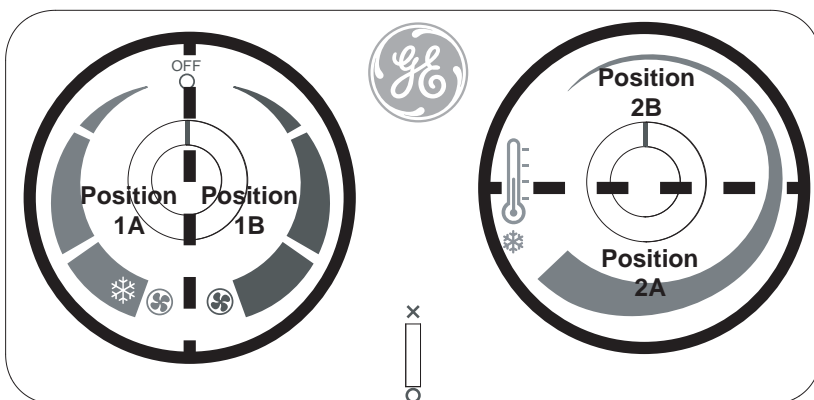
En estas posiciones, el compresor y los ventiladores funcionarán para brindar aire fresco. Los tres modos corresponden a las velocidades baja, media y alta del ventilador.

3. Modo de Sólo Ventilador

En estos modos, los ventiladores hacen circular aire en el vehículo recreativo. Los tres modos corresponden a las velocidades baja, media y alta del ventilador.

4. Selección de Temperatura

Esta perilla determina el punto de configuración de temperatura de la sala. Gire esta perilla para incrementar o reducir el nivel de frío del acondicionador de aire en la sala.



⚠ PRECAUCIÓN

A fin de evitar que el disyuntor se active, espere por lo menos 3 minutos para apagar el compresor y volver a encenderlo (es decir: espere 3 minutos antes de mover el dial desde la posición 1A a 1B y nuevamente a 1A, o para pasar de la posición 1B a 2B y nuevamente a 1B (se muestra en la imagen superior).

Uso del Acondicionador de Aire

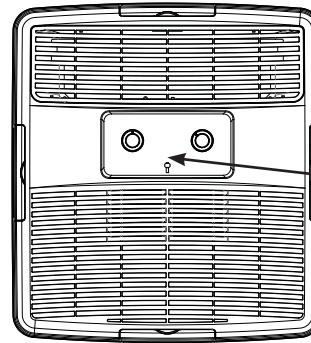
IMPORTANTE:

- Al apagar el acondicionador de aire, espere por lo menos 3 minutos antes de volver a encenderlo. Esto evitará que el compresor se sobrecargue. Este retraso de 3 minutos también se aplica cuando se pasa del modo frío a ventilador y a frío nuevamente.
- No utilice el acondicionador de aire en el modo Cool (Frío) cuando la temperatura exterior se encuentre por debajo de los 59°F (15° C). La bobina del evaporador interior se congelará, y el acondicionador de aire no funcionará correctamente.
- A fin de evitar que el disyuntor se active, al ajustar el termostato o las velocidades del ventilador espere 3 minutos entre los ciclos del compresor, a fin de contar con tiempo suficiente para que la presión del refrigerante se nivele.

Dirección del Aire

Use la palanca para abrir o cerrar la ventilación sobre la cara del panel de control.

Abra o cierre los 4 puertos laterales para ajustar el flujo de aire proveniente del acondicionador de aire.



La palanca se encuentra ubicada entre las dos perillas.

Vista Frontal

Sonidos de operación normales

Cuando el aire acondicionado esté funcionando normalmente, es posible que escuche sonidos como los siguientes:

- Gotas de agua que caen sobre el condensador, lo que produce un sonido metálico o un chasquido. Las gotas de agua ayudan a que el condensador se enfríe.
- Movimiento de aire que se origina en el ventilador.
- Chasquidos que se originan por el ciclo del termostato.
- Zumbidos agudos o ruidos palpitantes producidos por el compresor moderno de alta eficiencia, al iniciar y finalizar su ciclo.

Cuidado y limpieza

Parrilla y Caja

Apague el acondicionador de aire y retire el enchufe del tomacorriente antes de limpiar.

Para limpiar, use agua y un detergente suave. No use blanqueadores ni abrasivos.

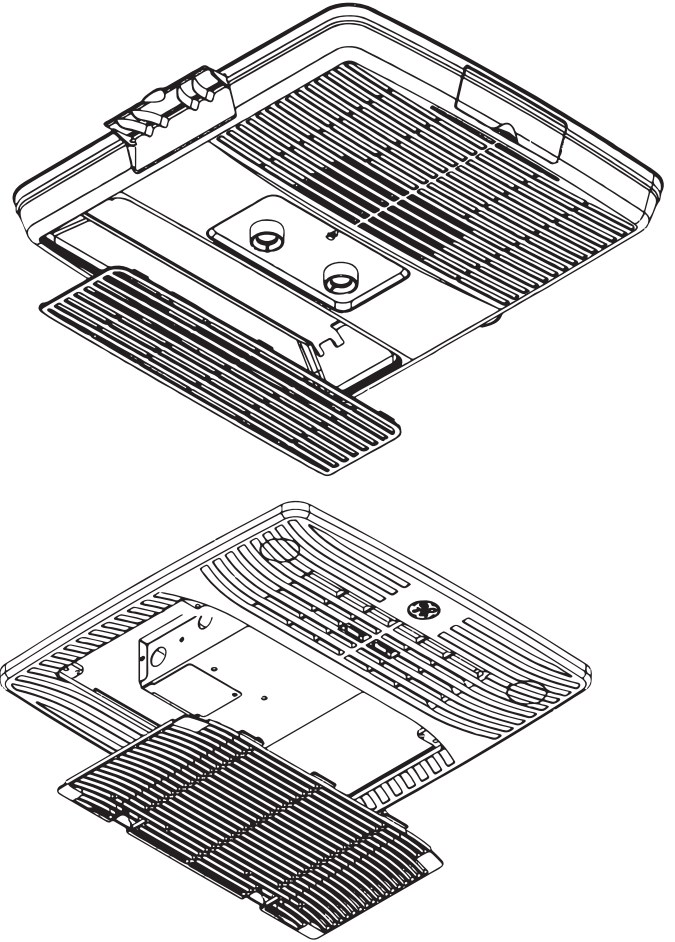
Filtro de Aire

El filtro de aire que se encuentra detrás de la rejilla frontal se debe revisar y limpiar por lo menos cada 2 semanas o con una frecuencia mayor, si fuera necesario.

No utilice el acondicionador de aire sin un filtro, ya que la suciedad y las pelusas producirán atascamientos y reducirán su funcionamiento.

Limpieza del filtro de aire

1. Apague el aire acondicionado.
2. Retire el filtro de aire empujando el panel frontal hacia usted para abrir y retirar el filtro de aire.
3. Utilice una aspiradora para limpiar el filtro de aire. Si el filtro de aire está muy sucio, lávelo con agua tibia y un detergente suave. No lave el filtro de aire en el lavavajillas ni utilice limpiadores químicos. Déjelo secar al aire completamente antes de volver a colocarlo, a fin de garantizar su máximo rendimiento.
4. Vuelva a colocar el filtro de aire.
5. Cierre el panel frontal.
6. Encienda el aire acondicionado.



Limpieza del panel frontal

1. Apague el aire acondicionado.
2. Limpie el panel frontal con un paño húmedo suave.
3. Déjelo secar al aire completamente.
4. Encienda el aire acondicionado.

Mantenimiento anual

Su aire acondicionado requiere mantenimiento anual para garantizar un funcionamiento óptimo y estable todo el año.

Llame a su distribuidor autorizado local para programar una revisión anual. Usted debe pagar los gastos de la inspección anual.

Consejos para la Solución de Problemas... Antes de solicitar el servicio técnico

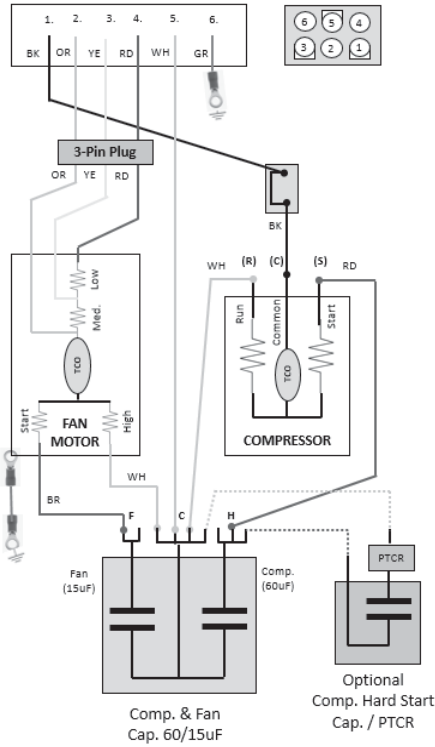
¡Ahorre tiempo y dinero! Primero revise los cuadros que aparecen en las siguientes páginas y es posible que no necesite solicitar reparaciones.

Problema	Causas posibles	Qué hacer
El aire acondicionado no funciona.	El cable de suministro eléctrico se disparó (el botón Reset se elevó).	Oprima y suelte RESET (espere escuchar un clic; el botón Reset se bloqueará y en algunos dispositivos se encenderá una luz verde) para reanudar el funcionamiento.
	El botón POWER no se ha oprimido o la perilla de control de modo está apagada.	Oprima POWER o gire la perilla de control de modo a una configuración activa.
	Hubo una interrupción del suministro eléctrico local.	Espere a que el suministro eléctrico se restablezca.
El aire acondicionado funde fusibles o dispara los interruptores de carga.	Se están utilizando demasiados aparatos en el mismo circuito.	Desenchufe los aparatos que comparten el mismo circuito o cámbielos de lugar.
	Se está utilizando un fusible de retardo o un interruptor de carga de la capacidad incorrecta.	Reemplace el fusible de retardo o el interruptor de carga con uno de la capacidad correcta. Véase "Requisitos eléctricos".
	Está intentando volver a poner en marcha el aire acondicionado demasiado pronto después de haberlo apagado	Espere por lo menos 3 minutos después de apagar el aire acondicionado antes de intentar volver a ponerlo en marcha.
El aire acondicionado parece funcionar demasiado tiempo.	El aire acondicionado actual sustituyó a un modelo más antiguo.	El uso de componentes más eficientes puede provocar que el aire acondicionado funcione más tiempo que el modelo anterior, pero el consumo de energía total será menor. Los modelos más nuevos de aire acondicionado no emiten la "ráfaga" de aire frío a la que usted puede estar acostumbrado debido a los modelos más antiguos de aire acondicionado, pero esto no indica una menor capacidad de enfriamiento o de eficacia. Consulte el índice de eficiencia (Energy Efficiency Rating, EER) y de capacidad (en Btu/h) impresos en el aire acondicionado.
	El aire acondicionado está en una habitación con alta ocupación o en la habitación se están utilizando aparatos que generan calor.	Utilice ventiladores de extracción de aire mientras cocina o se baña, e intente no utilizar aparatos que generen calor durante el momento más caluroso del día. Es posible que se requiera un aire acondicionado de mayor capacidad, según el tamaño de la habitación que se va a enfriar.
El ciclo del aire acondicionado inicia y finaliza con demasiada frecuencia o no enfría la habitación en modo de enfriamiento.	El aire acondicionado RV no es del tamaño adecuado para la habitación.	Compruebe las capacidades de enfriamiento del aire acondicionado de uso doméstico. Los aires acondicionados de uso doméstico no están diseñados para enfriar varias habitaciones.
	El filtro está sucio u obstruido por residuos.	Limpie el filtro.
	Hay demasiado calor o humedad (se cocina con recipientes destapados, hay regaderas, etc.) en la habitación.	Utilice un ventilador para extraer el calor o la humedad de la habitación. Intente no utilizar aparatos que generen calor durante el momento más caluroso del día.
	Las rejillas están obstruidas.	Instale el aire acondicionado en un lugar en el que las rejillas estén libres de cortinas, persianas, muebles, etc.
	La temperatura exterior es menor a 60°F (15°C).	No intente poner en funcionamiento el aire acondicionado en el modo de enfriamiento cuando la temperatura exterior sea menor a los 65°C (18°C).
	La temperatura de la habitación que intenta enfriar es extremadamente elevada.	Concédele más tiempo al aire acondicionado para que enfríe una habitación muy caliente.
	Las ventanas o puertas que dan al exterior están abiertas.	Cierre todas las ventanas y puertas.
	El control de temperatura no está en un ajuste suficiente de enfriamiento.	Ajuste el control TEMP/TIME en una configuración de mayor enfriamiento oprimiendo el botón hacia abajo para disminuir la temperatura. Configure el control de velocidad del ventilador en el valor más alto.
Escurre agua del gabinete en la casa.	Es posible que la bobina interior esté congelada.	Deje que se descongele haciendo funcionar el ventilador sólo hasta que esté despejada.
	Es posible que la junta de montaje del acondicionador de aire no esté sellada contra el techo.	Controle los tornillos de montaje y ajuste hasta 45 ± 5 pulg./libra, de ser necesario.

Diagramas Esquemáticos

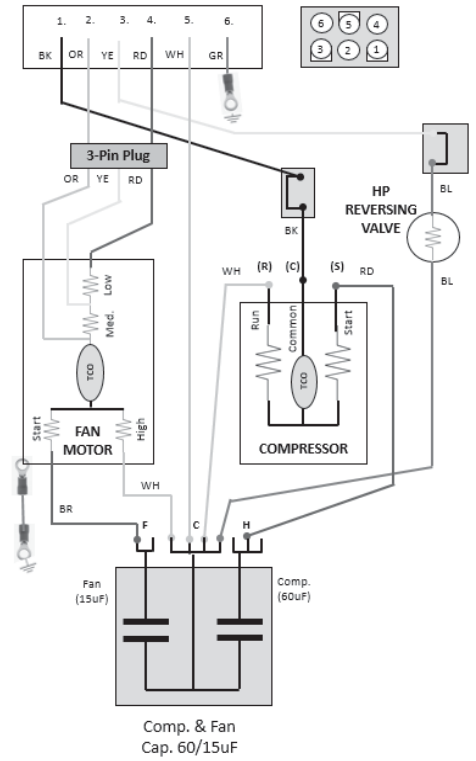
GE RVAC Outdoor Unit

Models
 ARC13AAC____
 ARC13AHC____
 ARC15AAC____



GE RVHP Outdoor Unit

Models
 ARH15AAC____

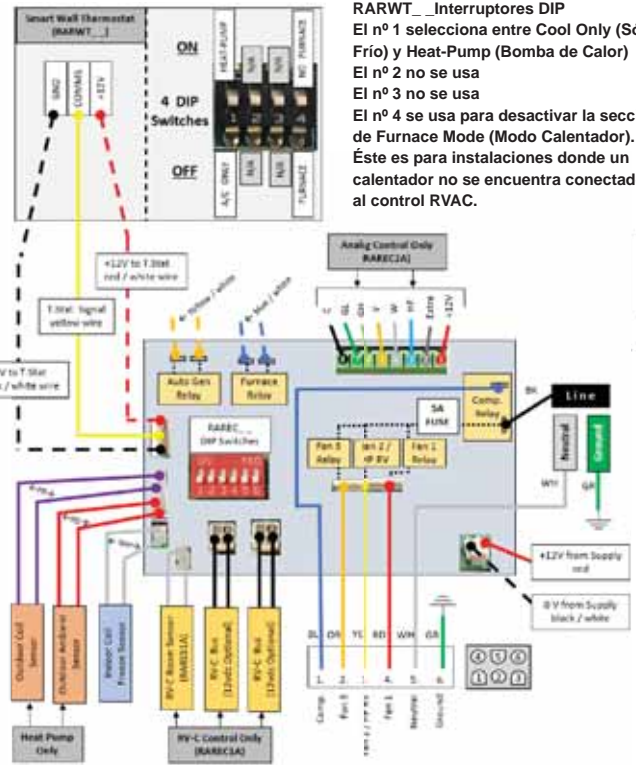
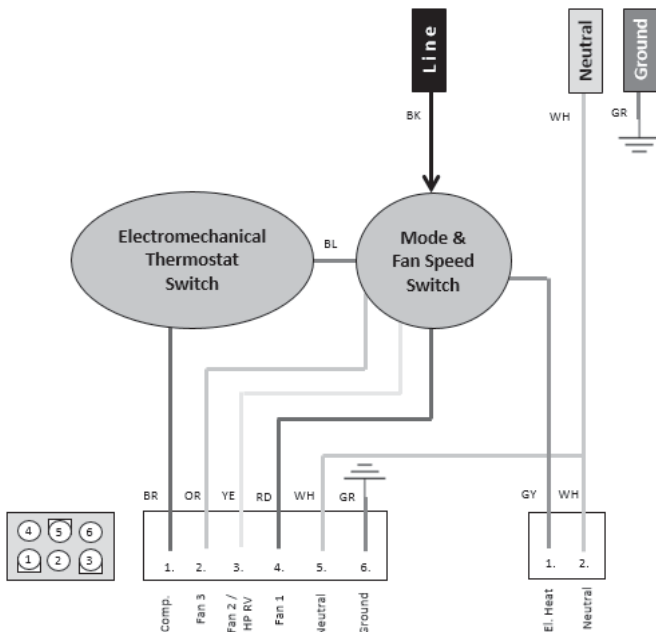


Ceiling Controls

- RARMC____
- RARWT____
- RAREC____

GE RVAC Indoor Assemblies

Ceiling Assembly
 RARMN1A_



RARMN1A_ Interruptores DIP
 El nº 1 selecciona entre Cool Only (Sólo Frío) y Heat-Pump (Bomba de Calor)
 El nº 2 no se usa
 El nº 3 no se usa
 El nº 4 se usa para desactivar la sección de Furnace Mode (Modo Calentador).
 Éste es para instalaciones donde un calentador no se encuentra conectado al control RVAC.

Garantía Limitada del Acondicionador de Aire GE Appliances

GARANTÍA LIMITADA

Todo el servicio de garantía deberá ser provisto por nuestros Centros de Servicio de Fabricación, o por un técnico autorizado del Servicio al Cliente (Customer Care®). Para programar una visita del servicio técnico a través de Internet, visítenos en GEAppliances.com/service, o llámenos al 800. GE.CARES (800.432.2737). Cuando llame para solicitar el servicio, tenga los números de serie y modelo disponibles.

Por el período de:	GE Appliances Reemplazará:
Dos Años A partir de la fecha de la compra original	Cualquier parte del acondicionador de aire que falle debido a defectos en los materiales o en la fabricación. Durante esta garantía limitada de dos años , GE Appliances también proporcionará, sin costo alguno, toda la mano de obra y el servicio relacionado—para reemplazar partes defectuosas.

Qué No Cubrirá GE Appliances:

- **Instalación, entrega o mantenimiento inadecuados.** Si tiene un problema de instalación o el acondicionador de aire no posee la capacidad de refrigeración adecuada con relación al uso deseado, contacte a su vendedor minorista o instalador. Usted es responsable de brindar instalaciones de conexión eléctrica adecuadas.
- **Falla del producto como resultado de modificaciones sobre el mismo o debido a un uso irrazonable,** incluyendo la falta de mantenimiento razonable o necesario.
- **El trabajo necesario para trasladar la unidad a una ubicación donde esté accesible para que un técnico del servicio o uno individual pueda brindarle el servicio.**
- **Reemplazo de fusibles de la casa o reinicio de disyuntores.**
- **Daños ocasionados sobre el producto por un nivel de suministro de voltaje inadecuado, accidentes, incendios, inundaciones o catástrofes naturales.**
- **Daños consecuentes o incidentales causados por posibles defectos del acondicionador de aire.**
- **Daño causado después de la entrega.**

EXCLUSIÓN DE GARANTÍAS IMPLÍCITAS—Su único y exclusivo derecho es la reparación del producto, tal y como se indica en esta Garantía limitada. Cualquier garantía implícita, incluyendo las garantías implícitas de comerciabilidad o adecuación para un fin determinado, están limitadas a dos años o el período de tiempo más breve permitido por la ley.

Esta garantía limitada se extiende al comprador original y cualquier comprador posterior de productos comprados para uso residencial dentro de Estados Unidos. Si el producto está situado en un área que no dispone de servicio por parte de un proveedor de servicio autorizado de GE Appliances, podría tener que hacerse cargo de los costes de envío o bien podría solicitársele que lleve el producto a una centro de servicio de GE appliances autorizado para realizar la reparación. En Alaska, la garantía limitada excluye el costo de envío o las visitas de servicio a su casa.

Algunos estados no permiten la exclusión o las limitaciones de daños incidentales o consecuenciales. Esta garantía limitada da derechos legales específicos, y usted podría tener otros derechos que variarán de estado a estado. Para saber cuáles son sus derechos legales, consulte a la oficina de asuntos del consumidor local o la oficina del Attorney General en su localidad.

Garante: GE Appliances, a Haier company
Louisville, KY 40225

Grape aquí su recibo. Se requiere facilitar prueba de la fecha de compra original para obtener un servicio bajo la garantía.

Soporte para el Consumidor

Sitio Web de GE Appliances

¿Desea realizar una consulta o necesita ayuda con su electrodoméstico? ¡Intente a través del Sitio Web de GE Appliances las 24 horas del día, cualquier día del año! Usted también puede comprar más electrodomésticos maravillosos de GE Appliances y aprovechar todos nuestros servicios de soporte a través de Internet, diseñados para su conveniencia.

En EE.UU.: GEAppliances.com

Registre su Electrodoméstico

¡Registre su electrodoméstico nuevo a través de Internet, según su conveniencia! Un registro puntual de su producto permitirá una mejor comunicación y un servicio más puntual de acuerdo con los términos de su garantía, en caso de surgir la necesidad. También puede enviar una carta en la tarjeta de inscripción preimpresa que se incluye con el material embalado.

En EE.UU.: GEAppliances.com/register

Servicio Programado

El servicio de reparación de expertos de GE Appliances está a sólo un paso de su puerta. Conéctese a través de Internet y programe su servicio a su conveniencia cualquier día del año. En EE.UU.: GEAppliances.com/service o comuníquese al 800.432.2737 durante el horario de atención comercial.

Garantías Extendidas

Adquiera una garantía extendida de GE Appliances y conozca los descuentos especiales que están disponibles mientras su garantía aún está vigente. La puede adquirir en cualquier momento a través de Internet. Los servicios de GE Appliances aún estarán allí cuando su garantía caduque.

En EE.UU.: GEAppliances.com/extended-warranty o comuníquese al 800.626.2224 durante el horario de atención comercial.

Conectividad Remota

Para solicitar asistencia para la conectividad de red inalámbrica (para modelos con acceso remoto), visite nuestro sitio web en GEAppliances.com/connected-home-smart-appliances o comuníquese al 800.220.6899 en EE.UU.

Piezas y Accesorios

Aquellos individuos calificados para realizar el servicio técnico de sus propios electrodomésticos podrán solicitar el envío de piezas o accesorios directamente a sus hogares (se aceptan las tarjetas VISA, MasterCard y Discover). Ordene hoy a través de Internet durante las 24 horas, todos los días. En EE.UU.: GEApplianceparts.com o de forma telefónica al 877.959.8688 durante el horario de atención comercial.

Las instrucciones que figuran en este manual cubren los procedimientos que serán realizados por cualquier usuario. Otros servicios técnicos generalmente deben ser derivados a personal calificado del servicio. Se deberá tener cuidado, ya que una reparación indebida podrá hacer que el funcionamiento no sea seguro.

Contáctenos

Si no se encuentra satisfecho con el servicio que recibió de GE Appliances, comuníquese con nosotros a través de nuestro sitio Web con todos los detalles, incluyendo su número telefónico, o escriba a:

En EE.UU.: General Manager, Customer Relations | GE Appliances, Appliance Park | Louisville, KY 40225

GEAppliances.com/contact