



ROOM AIR CONDITIONER

SAFETY INFORMATION3

USING THE AIR CONDITIONER
Controls4

CARE AND CLEANING8

INSTALLATION INSTRUCTIONS
Before you begin9
Electrical Requirements9
Parts Included10
Window Requirements 11
Prepare the Air Conditioner..... 11
Install the Air Conditioner..... 12

TROUBLESHOOTING TIPS.....14
Normal Operating Sounds 15

CONSUMER SUPPORT
Limited Warranty 17
Consumer Support..... 18

OWNER'S MANUAL

AHEL06BB
AHEL08BB

Write the model and serial numbers here:

Model # _____

Serial # _____

You can find the rating label on the side of the air conditioner.

THANK YOU FOR MAKING GE APPLIANCES A PART OF YOUR HOME.

Whether you grew up with GE Appliances, or this is your first, we're happy to have you in the family.

We take pride in the craftsmanship, innovation and design that goes into every GE Appliances product, and we think you will too. Among other things, registration of your appliance ensures that we can deliver important product information and warranty details when you need them.

Register your GE appliance now online. Helpful websites and phone numbers are available in the Consumer Support section of this Owner's Manual. You may also mail in the pre-printed registration card included in the packing material.



IMPORTANT SAFETY INFORMATION

READ ALL INSTRUCTIONS BEFORE USING THE APPLIANCE

▲ WARNING

For your safety, the information in this manual must be followed to minimize the risk of fire, electric shock or personal injury.

- Use this appliance only for its intended purpose as described in this Owner's Manual.
- This air conditioner must be properly installed in accordance with the Installation Instructions before it is used.
- Never unplug your air conditioner by pulling on the power cord. Always grip plug firmly and pull straight out from the receptacle.
- Replace immediately all electric service cords that have become frayed or otherwise damaged. A damaged power supply cord must be replaced with a new power supply cord obtained from the manufacturer and not repaired. Do not use a cord that shows cracks or abrasion damage along its length or at either the plug or connector end.
- Turn the unit OFF and unplug your air conditioner before cleaning.
- For your safety...do not store or use combustible materials, gasoline or other flammable vapors or liquids in the vicinity of this or any other appliance.
- If the receptacle does not match the plug, the receptacle must be changed out by a qualified electrician.



WARNING

Risk of Fire or Explosion. This unit contains flammable refrigerant. Additional safety precautions must be followed.

- Do not use means to accelerate the defrosting process or to clean, other than those recommended by the manufacturer.
- The appliance shall be stored in a room without continuously operating ignition sources (for example: open flames, an operating gas appliance or an operating electric heater).
- Do not pierce or burn refrigerant tubing. Be aware that refrigerants may not contain an odor.
- Keep ventilation openings clear of obstruction.
- When handling, installing, and operating the appliance, care should be taken to avoid damage to the refrigerant tubing.
- Do not drill holes in the unit.
- Maintenance, cleaning, and service should only be performed by technicians properly trained and qualified in the use of flammable refrigerants.
- GE Appliances does not support any servicing of the air conditioner.
- Dispose of air conditioner in accordance with Federal and Local Regulations. Flammable refrigerants require special disposal procedures. Contact your local authorities for the environmentally safe disposal of your air conditioner.

READ AND SAVE THESE INSTRUCTIONS

IMPORTANT SAFETY INFORMATION

READ ALL INSTRUCTIONS BEFORE USING THE APPLIANCE

▲ WARNING USE OF EXTENSION CORDS

RISK OF FIRE. Could cause serious injury or death.

- DO NOT use an extension cord with this Window Air Conditioner.

- DO NOT use surge protectors or multi-outlet adaptors with this Window Air Conditioner.

HOW TO CONNECT ELECTRICITY

Do not, under any circumstances, cut or remove the third (ground) prong from the power cord. For personal safety, this appliance must be properly grounded.

DO NOT use an adapter plug with this appliance.

The power cord of this appliance is equipped with a 3-prong (grounding) plug which mates with a standard 3-prong (grounding) wall outlet to minimize the possibility of electric shock hazard from this appliance.

Power cord includes a current interrupter device. A test and reset button is provided on the plug case. The device should be tested on a periodic basis by first pressing the **TEST** button and then the **RESET** button while plugged into the outlet. If the **TEST** button does not trip or if the **RESET** button will not stay engaged, discontinue use of the air conditioner and contact a qualified service technician.

Have the wall outlet and circuit checked by a qualified electrician to make sure the outlet is properly grounded.

Where a 2-prong wall outlet is encountered, it is your personal responsibility and obligation to have it replaced with a properly grounded 3-prong wall outlet.

The air conditioner should always be plugged into its own individual electrical outlet which has a voltage rating that matches the rating plate.

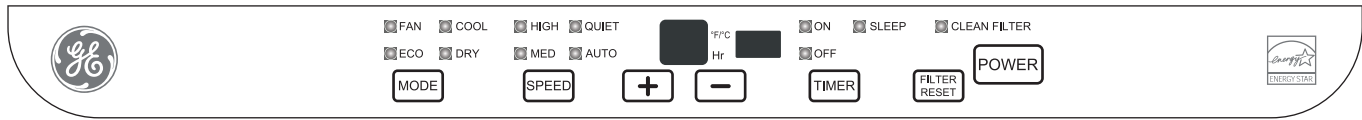
This provides the best performance and also prevents overloading house wiring circuits which could cause a fire hazard from overheated wires.

See the Installation Instructions, **Electrical Requirements** section for specific electrical connection requirements.

READ AND SAVE THESE INSTRUCTIONS

Controls

Features and appearance will vary.



This section explains how to operate this air conditioner.

IMPORTANT:

When you turn off the air conditioner, either at the control panel or with the remote control, wait at least 3 minutes before turning it back on. This prevents the compressor from overloading. This 3 minute delay also applies when switching from cool mode to fan and back.

NOTE: There is a built in 3 minute delay. You may notice the compressor might not start right away. This was designated to protect the unit.

Do not operate your air conditioner in the Cool Mode when the outside temperature is below 61° F (16° C). This inside evaporator coil will freeze up, and the air conditioner will not operate properly.

NOTE: When the air conditioner is first plugged in, the LED display will show “88” for 3 seconds. After the air conditioner is turned on for the first time, the display will show the temperature 72° F and the fan will automatically set the Quiet speed and the Mode indicator will show ENERGY SAVE.

NOTE: To switch the temperature display between Fahrenheit (°F) and Celsius (°C), the air conditioner must be plugged in and turned on. On the control panel on the front of the air conditioner press the UP and DOWN button at the same time and hold for 3 seconds. Press F/C button on remote control to switch between Fahrenheit (°F) and Celsius (°C).

NOTE: Each time this ENERGY STAR qualified air conditioner is turned on, it will operate in energy save mode per the EPA requirements. You can select any other mode to satisfy your needs.

Controls

1. MODE

1. Press **MODE** until you see the indicator light come on next to the desired setting.
2. Choose Fan, Cool, Energy Save, or Dehum.

Fan - Only the fan runs. Press **SPEED** to select High, Med or Quiet fan speed. The display shows the current room temperature. **NOTE:** in fan mode, the temperature cannot be set.

Energy Save - In this this mode the fan runs only when cooling is needed. The fan will run for 3 minutes after the compressor shuts off. The fan then cycles on for 2 minutes at 10 minute intervals until the temperature in the room is above the set temperature. The compressor then turns back on.

Cool - Cools the room. Press **SPEED** to select High, Med, Quiet or Auto Cool fan speed. Press the **TEMP/TIME +** or **-** arrow button to adjust the temperature. The fan will run continuously in cool mode.

Dehum - Aids in removing humidity from the room. Dehum mode cannot be used to cool room.

NOTE: In Dehum mode, when the set temperature is close to ambient temperature, the compressor may stop and the fan will run in Quiet speed only.

2. SPEED

1. Press **SPEED** until you see the indicator light come on next to the desired setting.
2. Choose High, Med, Quiet, or Auto Cool

HIGH - For maximum cooling.

MED - For normal cooling.

QUIET - For minimum cooling and noise.

AUTO COOL - Adjusts the fan speed automatically to provide ideal cooling based on the room temperature.

Controls

3. TIMER OFF

To set the air conditioner to turn off between 1 hour and 24 hours (the air conditioner must be ON to set).

1. Press **TIMER** button until Timer Off indicator light illuminates. The display will show the remaining hours before the air conditioner will turn off.
2. Press the **TEMP/TIME +** or **-** button to change the delay time from 1 hour to 24 hours.
3. Timer Off indicator light will remain on. The display will show the remaining time to Timer Off.

4. TIMER ON

To set the air conditioner to turn on between 1 hour and 24 hours.

1. Press **TIMER** button until Timer On indicator light illuminates. The display will show the remaining hours before the air conditioner will turn on.
2. Press the **TEMP/TIME +** or **-** button to change the delay time from 1 hour to 24 hours.
3. Timer On indicator light will remain on. The display will show the remaining time to Timer On.

To clear TIMER Program:

NOTE: Air conditioner can be either on or off. Press **TIMER** until Timer indicator light turns off.

To view or change the remaining time (in hours):

TIMER OFF -

1. Press the **TEMP/TIME +** or **-** button to increase or decrease the time.
2. The display will show the remaining time to Timer OFF.

TIMER ON -

1. The display will show the remaining time.
2. Press the **TEMP/TIME +** or **-** button to increase or decrease the time.
3. The display will show the remaining time to Timer ON.

NOTE: In TIMER and SLEEP mode, temperature cannot be adjusted.

5. SLEEP

1. Press the **TIMER** button to choose Sleep mode. The indicator light will turn on.
2. The temperature will increase by 2° F one hour after the mode is chosen. The temperature then increases another 2° F after one hour. The unit will hold this temperature for six hours then stop.
3. To turn off Sleep mode, press the **TIMER** button until the indicator light is off.

6. TEMP/TIME

1. Press the **TEMP/TIME +** button to raise the temperature. Each time you press the **TEMP/TIME +** button, the temperature will go up by 1° F until it reaches 86° F (30° C).
2. Press the **TEMP/TIME -** button to lower the temperature. Each time you press the **TEMP/TIME -** button, the temperature will go down by 1° F until it reaches 61° F (16° C).

NOTE: Under Fan mode, the display will show the current temperature. Under Energy Save, Cool or Dehum mode, the display will show the set temperature.

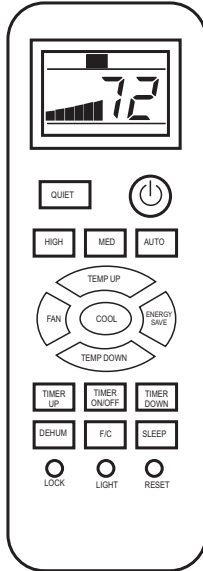
7. FILTER RESET

This feature automatically notifies you that the air filter must be cleaned. The indicator light will come on after 240 hours of operation. Clean the air filter (refer to Care and Cleaning section), place it back in the front panel, and press the Filter Reset button. The light will turn off.

Controls

Using the Remote Control

Remote Control may differ in appearance from the image show.



NOTE: Please remove the back of the controller and insert two AAA batteries. Replace batteries after 6 months of use or when remote control starts to lose power.

NOTE: **DO NOT** mix old and new batteries.

1. POWER

Press the **POWER** button to turn on the air conditioner. When you first press the power button, the air conditioner will operate in Energy Save mode, Quiet fan speed and temperature of 72°F. You can select any other mode to satisfy your needs .

2. SPEED

High - Press **HIGH** button to choose high fan speed.

Med - Press **MED** button to choose medium fan speed.

Quiet - Press **QUIET** button to choose quiet fan speed.

Auto Cool - Press **AUTO** button to choose auto cool fan speed.

3. MODE

Fan - Press the **FAN** button to activate fan mode.

Cool - Press the **COOL** button to activate cool mode.

Energy Save - Press the **ENERGY SAVE** button to activate fan mode.

Dehum - Press the **DEHUM** button to activate dehum mode.

4. TIMER

To set the air conditioner to turn off after a set amount of time between 1 hour and 24 hours (unit must be ON):

1. Press **TIMER ON/OFF** button on the remote control to select the time off function.
2. Press the **TIMER +** or **TIMER –** arrow button to change the delay time from 1 hour to 24 hours. Timer OFF indicator light on the air conditioner panel will illuminate.
3. The buzzer beeps twice after 5 seconds, then Timer OFF countdown will initiate.

To clear TIMER Program:

NOTE: Air conditioner can be either on or off.

Press **TIMER ON/OFF** button until Timer indicator light turns off.

5. TEMP UP/TEMP DOWN

- Press the **TEMP +** button to raise the temperature. Each time you press the **TEMP +** button, the temperature will go up 1° F until it reaches 86°F (30°C).
- Press the **TEMP –** button to lower the temperature. Each time you press the **TEMP –** button, the temperature will go down 1° F until it reaches 61°F (16°C).

6. SLEEP

1. Press **SLEEP** button on the remote control to choose Sleep mode. This display will show (08) and the indicator light will turn on.
2. The temperature will increase by 2° F one hour after the mode is chosen. The temperature then increases another 2° F after one hour. The until will hold this temperature for six hours then stop.
3. To turn off Sleep mode, press the **SLEEP** button until the indicator light is off.

7. FAHRENHEIT/CELSIUS

- Press the **F/C** button to choose between Fahrenheit and Celsius.

8. LOCK

- Press the **LOCK** button on the remote control to disable button functionality. Press the **LOCK** button again to activate the remote control functionality.

9. LIGHT

- When you press the **LIGHT** button, the display on the unit will turn off, but the unit is still operating normally. When you press the **LIGHT** button again or press any button on the remote control, the display will be illuminated again.

10. RESET

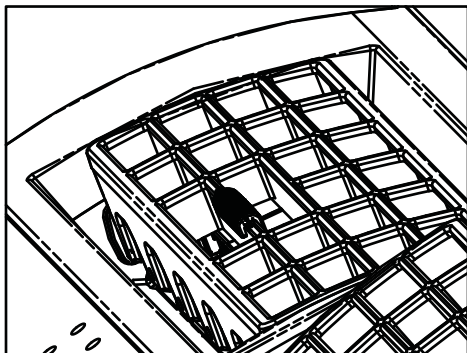
- Press the **RESET** button to reset the unit to factory settings.

Controls

Air Direction

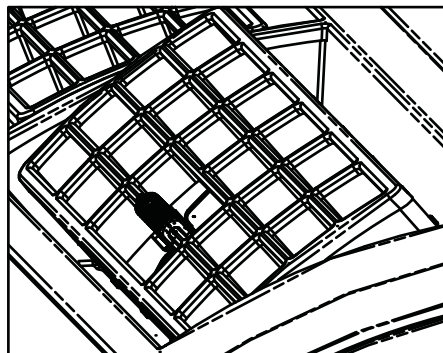
COOL MIN:

To reduce cooling capacity, point air directional louvers up.



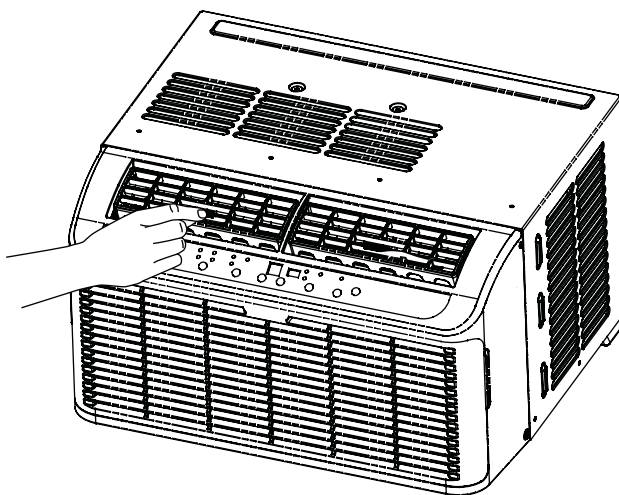
COOL MAX:

To maximize cooling capacity, point air directional louvers down.



Changing the Air Direction

4-Way Air Flow: The air directional louvers let you control the direction of the airflow. The airflow can be directed up-down and left to right.

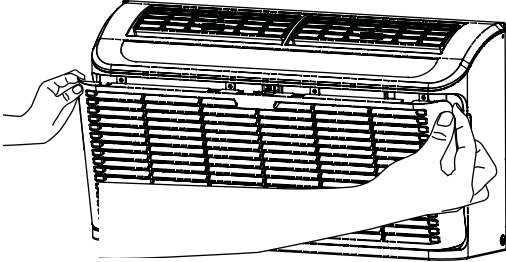


Care and Cleaning

Cleaning the Air Filter

The air filter is removable for easy cleaning. A clean air filter helps remove dust, lint and particles from the air for optimal cooling operating efficiency. The Filter Reset light will turn on to notify you that the air filter must be cleaned. The light goes on after the air conditioner has been operating for 240 hours.

1. Turn off the air conditioner and unplug the power supply cord from the outlet.
2. Remove the air filter by opening the front panel and removing the air filter. Some models may have a filter that slides out instead and does not require opening of the front panel.



3. Use a vacuum cleaner with the hose attachment to clean the air filter. If the air filter is very dirty, wash it in warm water with mild detergent. Do not wash the air filter in a dishwasher or clothes washer, or use any chemical cleaners. Do not use a cloth dryer or microwave oven to dry it. Air dry the air filter completely before placing it back in the unit.
4. Place the air filter back in the air conditioner.
5. Close the front panel.
6. Plug the power supply cord into the outlet, turn on the air conditioner and press the filter reset button to turn off the indicator light.

NOTE: Do not operate the air conditioner without the filter in place.

Cleaning the Front Panel

1. Turn off the air conditioner and unplug the power supply cord from the outlet.
2. Clean the front panel with a soft cloth. Do not use chemical cleaners, especially spray cleaners, sharp instruments, or flammable fluids. These products can damage the surface of your air conditioner.
3. Air-dry the front panel completely.
4. Plug the power supply cord in the outlet and turn on the air conditioner.

Installation Instructions

Questions? Visit our Website at: GEAppliances.com

BEFORE YOU BEGIN

Read these instructions completely and carefully.

- **IMPORTANT** – Save these instructions for local inspector’s use.
- **IMPORTANT** – Observe all governing codes and ordinances.
- **Note to Installer** – Be sure to leave these instructions with the Consumer.
- **Note to Consumer** – Keep these instructions for future reference.
- **Skill level** – Installation of this appliance requires basic mechanical skills.
- **Completion time** – Approximately 1 hour
- We recommend that two people install this product.
- Proper installation is the responsibility of the installer.
- Product failure due to improper installation is not covered under the Warranty.
- You **MUST** use all supplied parts and use proper installation procedures as described in these instructions when installing this air conditioner.

UNPACKING THE AIR CONDITIONER

⚠ WARNING

EXCESSIVE WEIGHT HAZARD - When moving or lifting the air conditioner, use two or more people. Wear gloves when handling the air conditioner to protect against possible sharp edges and metal fins.

Remove Packaging Materials

- Remove packaging materials. Save the carton and the foam packaging for storing the unit when not in use.
- **NOTE:** There is NO internal packing material inside the air conditioner to remove - DO NOT open the cabinet.
- Handle the air conditioner gently.
- Keep the air conditioner upright and level. Do not set the air conditioner on its side, front, back or upside down.
- The air conditioner must be standing upright for 2 hours prior to installation and operation.

ELECTRICAL REQUIREMENTS



These models require a 115/120-volt AC, 60-Hz grounded outlet protected with a 15-amp time-delay fuse or circuit breaker.

The 3-prong grounding plug minimizes the possibility of electric shock hazard. If the wall outlet you plan to use is only a 2-prong outlet, it is your responsibility to have it replaced with a properly grounded 3-prong wall outlet.

⚠ CAUTION

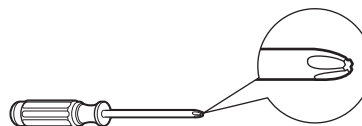
Do not, under any circumstances, cut or remove the third (ground) prong from the power cord.

Do not change the plug on the power cord of this air conditioner.

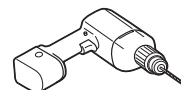
Aluminum house wiring may present special problems—consult a qualified electrician.

Power cord includes a current interrupter device. A test and reset button is provided on the plug case. The device should be tested on a periodic basis by first pressing the **TEST** button and then the **RESET** button while plugged into the outlet. If the **TEST** button does not trip or if the **RESET** button will not stay engaged, discontinue use of the air conditioner and contact a qualified service technician.

TOOLS YOU WILL NEED



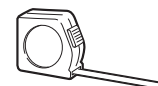
Phillips head screwdriver



Drill and 1/8" drill bit



Pencil



Ruler or tape measure



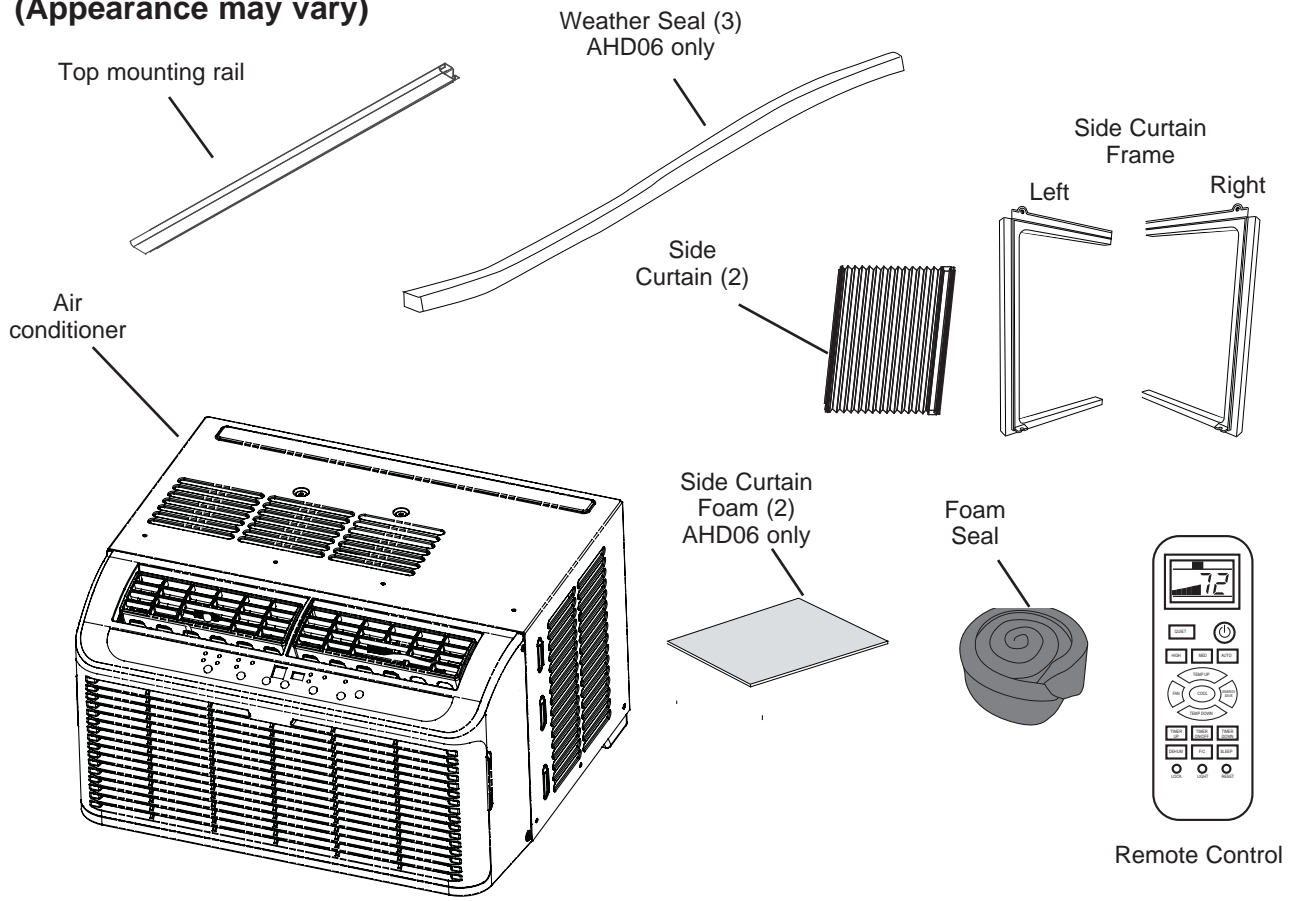
Level



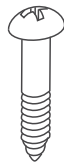
Scissors or knife

Installation Instructions

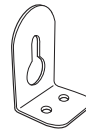
PARTS INCLUDED (Appearance may vary)



Type A (4)
3/8" self-tapping screw



Type B (9)
1" wood screw



Side Brackets (2)

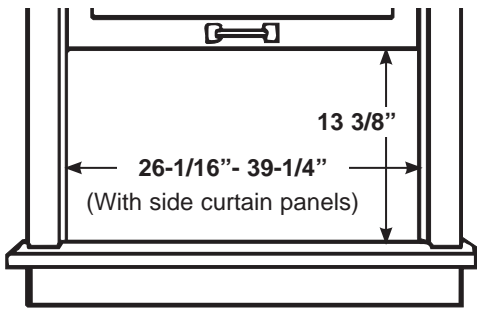


Window locking bracket (1)

Installation Instructions

1. WINDOW REQUIREMENTS

- These instructions are for a standard double-hung window. You will need to modify them for other types of windows.
- The air conditioner can be installed without the side curtain panels if needed to fit in a narrow window. See the window opening dimensions.
- All supporting parts must be secured to firm wood, masonry or metal.
- The electrical outlet must be within reach of the power cord.
- Follow the dimensions in the table and illustration for your model.



2. STORM WINDOW REQUIREMENTS

A storm window frame will not allow the air conditioner to tilt toward the outside, and will keep it from draining properly. To adjust for this, attach a piece of wood to the sill.

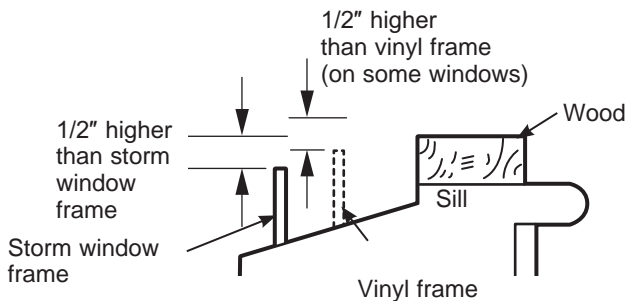
WOOD PIECES

WIDTH: 2"

LENGTH: Long enough to fit inside the window frame.

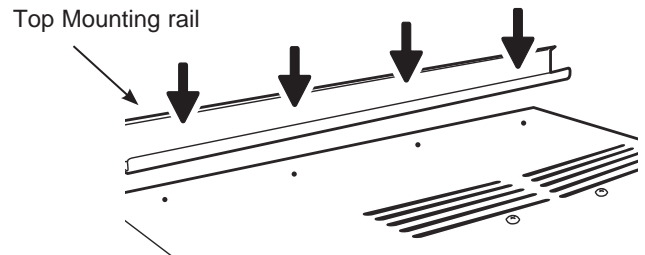
THICKNESS: To determine the thickness, place a piece of wood on the sill to make it 1/2" higher than the top of the storm window frame or the vinyl frame.

Attach securely with nails or screws provided by the installer.

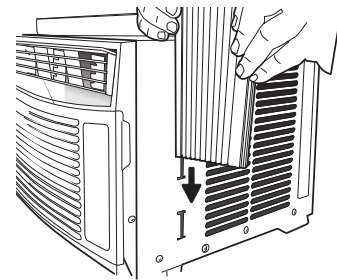


3. PREPARE THE AIR CONDITIONER

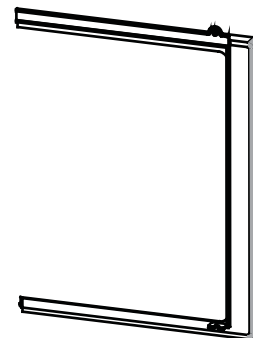
A. Install the top mounting rail with 4 Type A screws



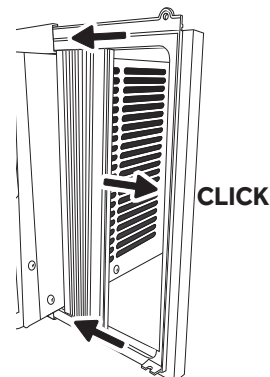
B. Slide the side curtain panels into the side panel rails.



C. For model AHD06, cut and apply a weather strip to side of the curtain frame (one each side).



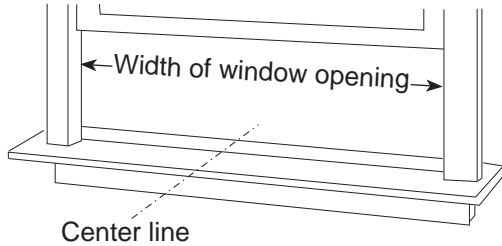
D. Slide left and right side curtain frames into top and bottom rails. Make sure that side curtains snap into side of the frames.



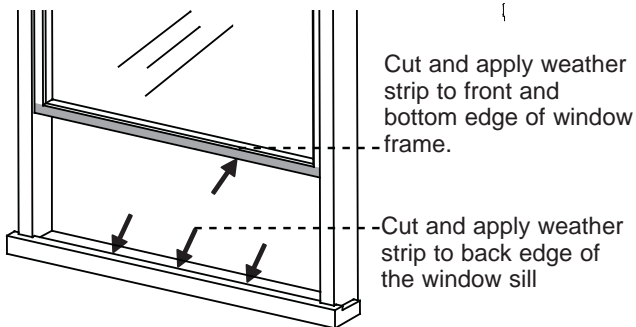
Installation Instructions

4. INSTALL THE AIR CONDITIONER IN THE WINDOW

A. Measure the width of the window opening and mark the center line on the inside window sill.



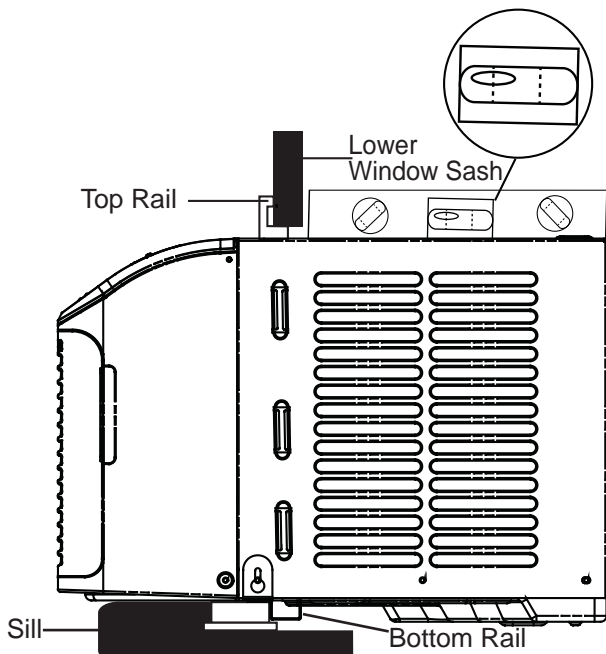
For model AHD06:



Place the unit in the window. Lower the window sash to hold unit in place.

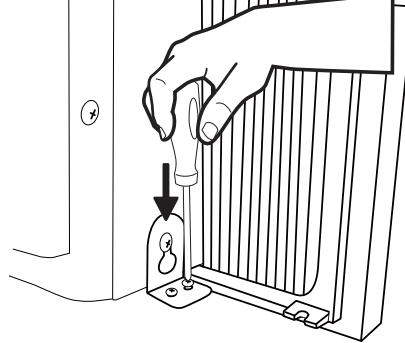
B. Set the air conditioner in the window so that it is centered. Place the air conditioner so that front edge of the bottom mounting rail is against the back edge of the sill.

Make sure that the air conditioner is level or tilting slightly to the outside.

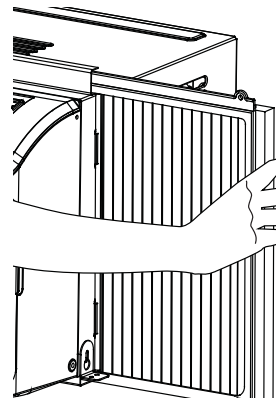


4. INSTALL THE AIR CONDITIONER IN THE WINDOW (continues)

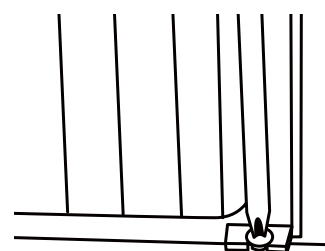
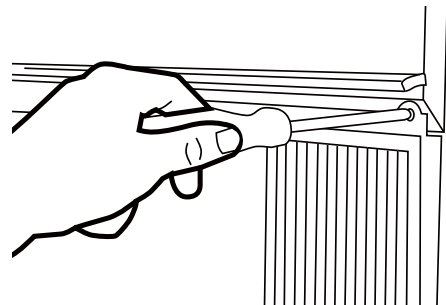
C. Install the side bracket into the unit and into the window sill using two 1" wood screws provided. Repeat on other side.



D. Extend the curtain panels until they fill the window.



Mark the location of the holes in each corner of the curtain. Use the drill and 1/8" drill bit to drill pilot holes. Use 4 type B screws to secure the side panels in place.



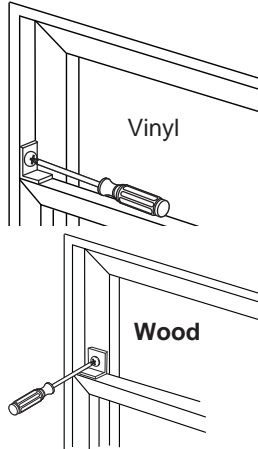
Installation Instructions

5. INSTALL WINDOW LOCKING BRACKET AND FOAM TOP WINDOW GASKET

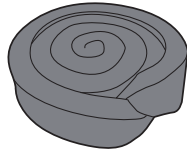
Use Type B Screw to install the window lock bracket on top of the bottom window.

A. CAUTION

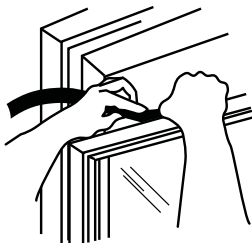
To prevent broken glass or damage to windows, on vinyl or other similarly constructed windows, attach the window locking bracket to the window side jamb with one Type B screw.



B. Cut the foam top window gasket to the window width.



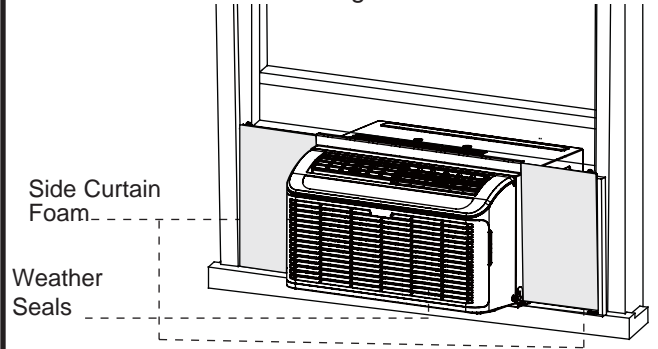
C. Stuff the foam between the glass and the window to prevent air and insects from getting into the room.



NOTE: If the gasket supplied does not fit your window, obtain appropriate material locally to provide a proper installation seal.

5. INSTALL WINDOW LOCKING BRACKET AND FOAM TOP WINDOW GASKET (continues)

D. For additional energy savings, on AHD06 only, measure and cut the adhesive backed foam sheets, and apply over the side curtains and frames to seal air leakage.



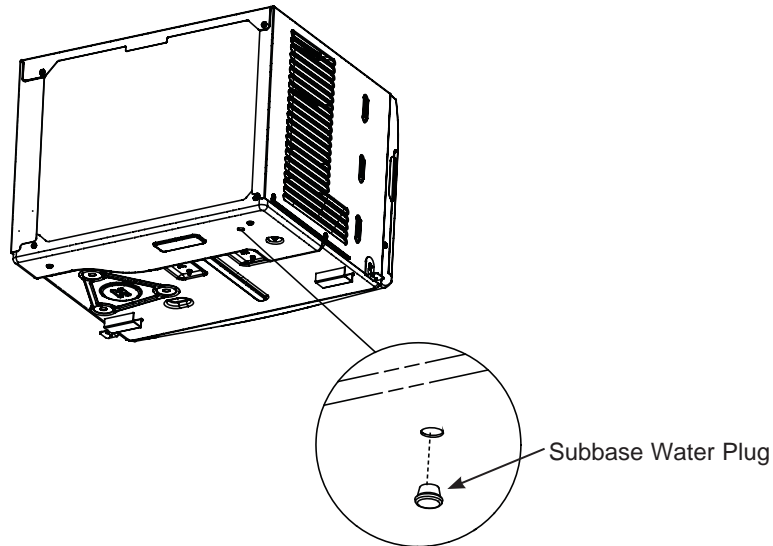
Troubleshooting Tips... Before you call for service

Save time and money! Review the charts on the following pages first and you may not need to call for service.

| Problem | Possible Cause | What To Do |
|---|--|--|
| Air conditioner does not start. | The unit is unplugged. | Make sure the air conditioner plug is pushed completely into the outlet. |
| | The fuse is blown/circuit breaker is tripped. | Check the house fuse/circuit breaker box and replace the fuse or reset the breaker. |
| | Power Failure. | The unit will automatically restart in the setting last used after the power is restored. There is a protective time delay (approximately 3 minutes) to prevent tripping of the compressor overload. For this reason, the unit may not start normal cooling for 3 minutes after it is turned back on. |
| | The current interrupter device is tripped. | Press RESET button located on the power cord plug. If the RESET button will not stay engaged, discontinue use of the air conditioner and contact a qualified service technician. |
| Remote control is not working | Batteries are dead. | Replace the batteries. |
| | Batteries inserted wrong. | Make sure batteries are inserted in the correct position. |
| Air conditioner does not cool as it should. | Indoor airflow is restricted. | Make sure there are not curtains, blinds or furniture blocking the front of the air conditioner. |
| | The temp control may not be set properly. | Turn the temperature control to a higher number. |
| | The air filter is dirty. | Clean the filter at least every 30 days. See Care and Cleaning section. |
| | The room may have been hot. | When the air conditioner is first turned on, you need to allow time for the room to cool down. |
| | Cold air is escaping. | Check for open furnace registers and cold air returns. |
| | Cooling coils have iced up. | See "Air conditioner freezing up" below. |
| Air conditioner freezing up | Ice blocks the air flow and stops the air conditioner from cooling the room. | On models with control knobs, set the mode control at High Fan or High Cool with the Temp at 1 or 2. |
| Water drips outside | Hot, humid weather. | This is normal. |
| Water drips inside | The air conditioner is not tilted to the outside. | For proper disposal, make sure the air conditioner slants slightly from the case front to the rear. |
| Water collects in base pan | Moisture removed from air and drain into base pan. | This is normal for a short period in areas with little humidity; normal for a longer period in very humid areas. |

Normal Operating Sounds

- You may hear a pinging noise caused by water being picked up and thrown against the condenser on rainy days or when the humidity is high. This design feature helps remove moisture and improve efficiency.
- You may hear the thermostat click when the compressor cycles on and off.
- Water will collect in the base pan during high humidity or on rainy days. The water may overflow and drip from the outdoor side of the unit.
- The fan may run even when the compressor does not.
- Water droplets being thrown against the outside coils can make a pinging noise. This helps cool the condenser. You can reduce this noise by removing the subbase water plug.



To ensure maximum efficiency it is recommended to check to ensure the rubber drain plug is properly inserted. This plug may be removed during operation to minimize water in the back of the unit; however, removing it will lower the efficiency of your unit.

NOTE: Do not drill hole in the base pan.

GE Appliances Air Conditioner Limited Warranty

LIMITED WARRANTY

Staple your receipt here.
Proof of the original purchase date is needed to make a warranty claim.

| For The Period Of: | Will Replace: |
|--|--|
| One Year From the date of the original purchase | Replacement, repair, or refund of the original retail price for any product which fails due to a defect in materials or workmanship. If the unit is exchanged, the replacement unit is warranted for the remainder of your product's original one-year warranty period. GE Appliances will, at its sole discretion, replace the product with a product of the same or comparable functionality and quality or refund the original retail price. |

In Order to Make a Warranty Claim During Your Retailer's Allowable Return Period:

- Properly pack your unit. We recommend using the original carton and packing materials.
- Return the product to the retail location where it was purchased.
- Include in the package a copy of the sales receipt or other evidence of date of original purchase. Also print your name and address and a description of the defect.

In Order to Make a Warranty Claim During the Remainder of the One-Year Warranty:

- Locate your original sales receipt and make a note of your model and serial number.
- Call 800.GE.CARES (800.432.2737) (in the United States) to initiate the product replacement process.
- You will be asked to provide your name, address, date of purchase, model and serial number.
- GE Appliances will arrange for a carton to be sent to your home to recover the product.
- Please return all requested materials (postage pre-paid) in the carton provided. Please include a description of the defect.
- You should receive your replacement product or refund within 7 to 10 business days after your package is received.

What Will Not Cover:

- Customer instruction. This owner's manual provides information regarding operating instructions and user controls.
- Improper installation. If you have an installation problem, or if the air conditioner is of improper capacity, contact your dealer or installer. You are responsible for providing adequate electrical connecting facilities.
- Failure of the product resulting from modifications to the product or due to unreasonable use including failure to provide reasonable and necessary maintenance.
- Replacement of house fuses or resetting of circuit breakers.
- Failure due to corrosion on models not corrosion-protected.
- Damage to the product caused by improper power supply voltage, accident, fire, floods or acts of God.
- Incidental or consequential damage caused by possible defects with this air conditioner.
- Damage caused after delivery.

EXCLUSION OF IMPLIED WARRANTIES - Your sole and exclusive remedy is product repair as provided in this Limited Warranty. Any implied warranties, including the implied warranties of merchantability or fitness for a particular purpose, are limited to one year or the shortest period allowed by law.

For US Customers: This limited warranty is extended to the original purchaser and any succeeding owner for products purchased for home use within the USA. If the product is located in an area where service by a GE Appliances Authorized Servicer is not available, you may be responsible for a trip charge or you may be required to bring the product to an Authorized GE Appliances Service location for service. In Alaska, the limited warranty excludes the cost of shipping or service calls to your home.

Some states do not allow the exclusion or limitation of incidental or consequential damages. This limited warranty gives you specific legal rights, and you may also have other rights which vary from state to state. To know what your legal rights are, consult your local or state consumer affairs office or your state's Attorney General.

Warrantor US:
GE Appliances, a Haier company

Consumer Support

GE Appliances Website

Have a question or need assistance with your appliance? Try the GE Appliances Website 24 hours a day, any day of the year! You can also shop for more great GE Appliances products and take advantage of all our on-line support services designed for your convenience. In the US: **GEAppliances.com**

Register Your Appliance

Register your new appliance on-line at your convenience! Timely product registration will allow for enhanced communication and prompt service under the terms of your warranty, should the need arise. You may also mail in the pre-printed registration card included in the packing material. In the US: **GEAppliances.com/register**

Parts and Accessories

Individuals qualified to service their own appliances can have parts or accessories sent directly to their homes (VISA, MasterCard and Discover cards are accepted). Order on-line today 24 hours every day. In the US: **GEApplianceparts.com** or by phone at 877.959.8688 during normal business hours.

Instructions contained in this manual cover procedures to be performed by any user. Other servicing generally should be referred to qualified service personnel. Caution must be exercised, since improper servicing may cause unsafe operation.

Contact Us

If you are not satisfied with the service you receive from GE Appliances, contact us on our Website with all the details including your phone number, or write to:

In the US: General Manager, Customer Relations | GE Appliances, Appliance Park | Louisville, KY 40225
GEAppliances.com/contact



ACCONDICIONADORES DE AIRE PARA SALA

INFORMACIÓN DE SEGURIDAD ...3

USO DEL ACONDICIONADOR DE AIRE
 Controles4

CUIDADO Y LIMPIEZA8

INSTRUCCIONES DE INSTALACIÓN
 Antes de comenzar9
 Requisitos Eléctricos9
 Piezas Incluidas10
 Requisitos de la Ventana 11
 Preparación del Acondicionador de Aire 11
 Instalación del Acondicionador de Aire .12

CONSEJOS PARA LA SOLUCIÓN DE PROBLEMAS14
 Sonidos de Funcionamiento Normal 15

SOPORTE AL CLIENTE
 Garantía Limitada.....17
 Soporte al Cliente18

MANUAL DEL PROPIETARIO

AHEL06BB
AHEL08BB

Escriba los números de modelo y de serie aquí:

Nº de Modelo _____

Nº de Serie _____

Estos números se encuentran en una etiqueta al costado del acondicionador de aire.

GRACIAS POR HACER QUE GE APPLIANCES SEA PARTE DE SU HOGAR.

Ya sea que haya crecido usando GE Appliances, o que ésta es su primera vez, nos complace tenerlo en la familia.

Sentimos orgullo por el nivel de arte, innovación y diseño de cada uno de los electrodomésticos de GE Appliances, y creemos que usted también. Entre otras cosas, el registro de su electrodoméstico asegura que podamos entregarle información importante del producto y detalles de la garantía cuando los necesite.

Registre su electrodoméstico GE ahora a través de Internet. Sitios Web y números telefónicos útiles están disponibles en la sección de Soporte para el Consumidor de este Manual del Propietario.

También puede enviar una carta en la tarjeta de inscripción preimpresa que se incluye con el material embalado.



GE APPLIANCES

INFORMACIÓN IMPORTANTE DE SEGURIDAD

LEA TODAS LAS INSTRUCCIONES ANTES DE USAR

ADVERTENCIA

Para su seguridad, siga las instrucciones de este manual a fin de minimizar riesgos de incendio, descargas eléctricas o heridas personales.

- Use este electrodoméstico sólo para su propósito original, como se describe en el Manual del Propietario.
- Este acondicionador de aire se debe instalar de forma apropiada de acuerdo con las Instrucciones de Instalación antes de ser usado.
- Nunca desenchufe su acondicionador de aire empujando el cable de corriente. Siempre tome su enchufe de manera firme y empuje el mismo hacia afuera del receptáculo.
- Reemplace de inmediato todos los cables del servicio de electricidad pelados o con cualquier tipo de daño. Un cable del servicio de corriente que esté dañado deberá ser reemplazado por uno nuevo provisto por el fabricante, y no deberá ser reparado. No use un cable con cortaduras o abrasión sobre su extensión o en cualquiera de sus enchufes o extremos.
- Coloque la unidad en OFF (Apagado) y desenchufe el acondicionador de aire antes de usar el mismo.
- Para su seguridad... no acumule ni use materiales combustibles, gasolina u otros vapores o líquidos inflamables cerca de éste u otro electrodoméstico.
- Si el receptáculo no coincide con el enchufe, el cambio del mismo deberá ser realizado por un electricista calificado.



ADVERTENCIA

Riesgo de Incendio o Explosión. Esta unidad contiene refrigerante inflamable. Se deben seguir las precauciones adicionales de seguridad.

- A fin de acelerar el proceso de descongelación o para limpiar, no use ningún método que no sea el recomendado por el fabricante.
- Este electrodoméstico deberá ser guardado en una sala donde no haya fuentes de encendido continuas (por ejemplo: llamas abiertas, un electrodoméstico que funcione a gas o un calefactor que funcione a electricidad).
- No perforo ni queme el tubo refrigerante. Tenga presente que los refrigerantes no deben tener olor.
- Mantenga las aberturas de la ventilación libres de obstrucciones.
- Al mover, instalar y operar el electrodoméstico, se deberá tener cuidado para evitar dañar la tubería del refrigerante.
- No realice perforaciones en la unidad.
- El mantenimiento, la limpieza y el servicio técnico sólo deberán ser realizados por técnicos adecuadamente entrenados y calificados en el uso de refrigerantes inflamables.
- GE no suministra servicio técnico para el acondicionador de aire.
- Descarte el electrodoméstico de acuerdo con las Regulaciones Federales y Locales. Los refrigerantes inflamables requieren procedimientos de descarte específicos. A fin de descartar su acondicionador de aire de forma ambientalmente segura, comuníquese con las autoridades locales.

LEA Y GUARDE ESTAS INSTRUCCIONES

INFORMACIÓN IMPORTANTE DE SEGURIDAD LEA TODAS LAS INSTRUCCIONES ANTES DE USAR

▲ ADVERTENCIA USO DE PROLONGADORES

RIESGO DE INCENDIO. Podría ocasionar lesiones graves o la muerte.

- NO use un prolongador con este Acondicionador de Aire de Ventana.

- NO use protectores contra picos de corriente ni adaptadores para múltiples tomacorrientes con este Acondicionador de Aire de Ventana.

CÓMO CONECTAR LA ELECTRICIDAD

Nunca, bajo ninguna circunstancia, corte o elimine el tercer cable (tierra) del cable de corriente. Para su seguridad personal, este electrodoméstico debe estar adecuadamente conectado a tierra.

NO use un enchufe adaptador con este electrodoméstico.

El cable de corriente de este electrodoméstico contiene un enchufe de 3 cables (conexión a tierra) que se conecta a un tomacorriente de pared estándar de 3 cables (conexión a tierra) para minimizar la posibilidad de riesgos de descargas eléctricas por parte del mismo.

El cable de corriente incluye un interruptor de corriente. Se brinda un botón de evaluación y reinicio en la caja del enchufe. El dispositivo deberá ser evaluado en forma periódica, presionando primero el botón **TEST** (Evaluar) y luego **RESET** (Reinicio) mientras se encuentre enchufado al tomacorriente. Si el botón **TEST** (Evaluar) no se activa o el botón **RESET** (Reinicio) no permanece en su posición, deje de usar el acondicionador de aire y comuníquese con un técnico calificado del servicio.

Contrate a un electricista calificado para que controle el tomacorriente y el circuito eléctrico para asegurar que el enchufe esté correctamente conectado a tierra.

En caso de contar con un tomacorriente de pared de 2 cables, es su responsabilidad y obligación reemplazarlo por un tomacorriente de pared de 3 cables correctamente conectado a tierra.

El acondicionador de aire debería estar siempre conectado a un enchufe específico con un índice de voltaje equivalente al que figura en su etiqueta de características técnicas.

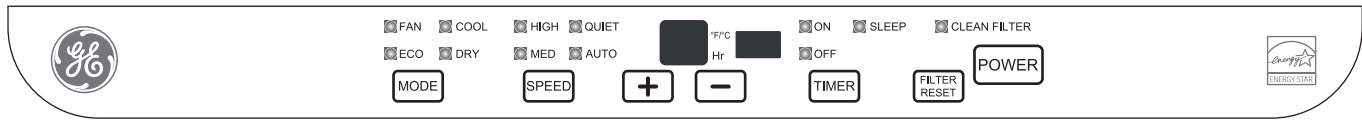
Esto garantiza el mejor funcionamiento y además previene la sobrecarga de los circuitos del hogar, lo cual podría ocasionar riesgos de incendio debido al recalentamiento de cables.

Para conocer los requisitos específicos de la conexión eléctrica, consulte las Instrucciones de Instalación, Requisitos Eléctricos.

LEA Y GUARDE ESTAS INSTRUCCIONES

Controles

Las funciones y la apariencia podrán variar.



Esta sección explica cómo hacer funcionar este aire acondicionado.

IMPORTANTE:

Cuando apague el aire acondicionado, ya sea desde el tablero de control o con el control remoto, espere por lo menos 3 minutos antes de volver a encenderlo. Esto evita que el compresor se sobrecargue. Esta espera de 3 minutos también se aplica cuando se cambia del modo de espera al de ventilación y a la inversa.

NOTA: Hay un retardo integrado de 3 minutos. Puede notar que el compresor no enciende inmediatamente. Esto se diseñó así para proteger la unidad.

No ponga en funcionamiento el aire acondicionado en el modo de enfriamiento cuando la temperatura exterior sea menor a los 61 °F (16 °C). El serpentín del evaporador interiorse congelará y el aire acondicionado no funcionará correctamente.

NOTA: Cuando el aire acondicionado se conecte por primera vez, la pantalla LED mostrará "88" durante 3 segundos. Después de encender el aire acondicionado por primera vez, la pantalla mostrará la temperatura de 72 °F (22.2 °C), el ventilador se establecerá automáticamente en Quiet speed (velocidad silenciosa) y el indicador de modo mostrará ENERGY SAVE (ahorro de energía).

NOTA: Para cambiar la temperatura entre grados Fahrenheit (F) y Celsius (C) en la pantalla, debe conectar el aire acondicionado y encenderlo. En el tablero de control, en la parte frontal del aire acondicionado, oprima los botones UP (arriba) y DOWN (abajo) al mismo tiempo y manténgalos oprimidos durante 3 segundos. Pulse el botón F / C en el control remoto para cambiar entre Fahrenheit (F) y Celsius (C) .

NOTA: Cada vez que se enciende un aire acondicionado calificado de ENERGY STAR, éste operará en el modo de ahorro de energía de acuerdo con los requerimientos de EPA. Puede seleccionar

cualquier otro modo que se ajuste a sus necesidades.

Controls

1. MODO

- Oprima **MODE** hasta que vea que la luz indicadora pasa a la siguiente configuración deseada.
- Elija Fan (ventilación), Cool (enfriamiento), Energy Save (ahorro de energía) o Dehum (deshumidificar)..

Fan - Solo funciona el ventilador. Oprima **SPEED** para seleccionar la velocidad del ventilador: High, Med o Quiet (alta, baja o silenciosa). La pantalla muestra la temperatura actual de la habitación.

NOTA: En el modo Fan, la temperatura no puede ajustarse.

Energy Save - En este modo el ventilador funciona únicamente cuando se requiere el enfriamiento. El ventilador funcionará durante 3 minutos después de que el compresor se apague. Posteriormente el ventilador se encenderá en ciclos de 2 minutos, en intervalos de 10 minutos, hasta que la temperatura en la habitación esté por arriba de la temperatura establecida. Después el compresor se enciende de nuevo.

Cool - Enfría la habitación. Oprima **SPEED** para seleccionar la velocidad del ventilador: High (alta), Med (media), Quiet (silenciosa) o Auto (automática). Oprima el botón **TEMP/TIME + o -** el botón de flecha

para ajustar la temperatura. El ventilador operará continuamente en modo de enfriamiento.

Dehum - Ayuda a eliminar la humedad de la habitación. El modo Dehum no debe utilizarse para enfriar la habitación.

NOTA: En modo Dehum, cuando la temperatura establecida esté cerca de la temperatura ambiente, el compresor puede detenerse y el ventilador operará solamente en la velocidad Quiet.only.

2. VELOCIDAD

- Presione **SPEED** (velocidad) hasta que vea que la luz indicadora pasa a la siguiente configuración deseada.
- Elija el enfriamiento High (alto), Med (medio), Quiet (silencioso) o Auto (automático).

HIGH—Para un máximo enfriamiento

MED—Para un enfriamiento normal

QUIET—Para un enfriamiento y ruido mínimos

AUTO COOL – Ajusta automáticamente la velocidad del ventilador para ofrecer un enfriamiento óptimo con base en la temperatura de la habitación.

Controles

3. APAGADO DEL TEMPORIZADOR

Para configurar que el aire acondicionado se apague entre 1 y 24 horas (el aire acondicionado debe estar en encendido, ON, para el ajuste):

1. Oprima el botón **TIMER** hasta que se encienda la luz del indicador Timer Off. La pantalla mostrará las horas restantes antes de que el aire acondicionado se apague.
2. Oprima el botón **TEMP/TIME +** o **-** el botón de flecha para cambiar el tiempo de retardo de 1 a 24 horas.
3. La luz indicadora Timer Off permanecerá encendida. La pantalla mostrará el tiempo restante para que se apague el temporizador.

4. ENCENDIDO DEL TEMPORIZADOR

Para programar el aire acondicionado de modo que se encienda en un intervalo de entre 1 y 24 horas:

1. Oprima el botón **TIMER** hasta que se encienda la luz del indicador Timer On. La pantalla mostrará las horas restantes antes de que el aire acondicionado se encienda.
2. Oprima el botón **TEMP/TIME +** o **-** el botón de flecha para cambiar el tiempo de retardo de 1 a 24 horas.
3. La luz indicadora Timer On permanecerá encendida. La pantalla mostrará el tiempo restante para que se encienda el temporizador.

PARA BORRAR EL PROGRAMA DEL TEMPORIZADOR:

NOTA: El aire acondicionado puede estar encendido o apagado.

Oprima **TIMER** hasta que la luz indicadora del temporizador se apague.

PARA VER O CAMBIAR EL TIEMPO RESTANTE (EN HORAS):

APAGADO DEL TEMPORIZADOR -

1. Oprima el botón **TEMP/TIME +** o **-** el botón de flecha para aumentar o disminuir el tiempo.
2. La pantalla mostrará el tiempo restante para que se apague el temporizador.

ENCENDIDO DEL TEMPORIZADOR-

1. La pantalla mostrará el tiempo restante.
2. Oprima el botón **TEMP/TIME +** o **-** el botón de flecha para aumentar o disminuir el tiempo.
3. La pantalla mostrará el tiempo restante para que se encienda el temporizador.

NOTA: En los modos **TIMER** (temporizador) y **SLEEP** (apagado automático), no es posible ajustar la temperatura.

5. DORMIR

1. Oprima el botón **SLEEP** para elegir el modo de apagado automático. La pantalla mostrará (08) y se encenderá la luz del indicador.

2. La temperatura aumentará 2 °F (-16 °C) 1 hora después de haber seleccionado el modo. Posteriormente la temperatura aumentará otros 2 °F (-16 °C) después de 1 hora. La unidad mantendrá esta temperatura durante 6 horas y después se detendrá.

3. Para apagar el modo de apagado automático, presione el botón **SLEEP** hasta que la luz del indicador se apague.

6. TIEMPO/TEMPERATURA

1. Oprima el botón **TEMP/TIME** con la flecha **+** para subir la temperatura. Cada vez que oprima el botón **TEMP/TIME** con la flecha hacia arriba, la temperatura aumentará 1 °F (-16 °C) hasta que llegue a los 86 °F (30 °C).

2. Oprima el botón **TEMP/TIME** con la flecha **-** para bajar la temperatura. Cada vez que oprima el botón **TEMP/TIME** con la flecha hacia abajo, la temperatura disminuirá 1 °F (-16 °C) hasta que llegue a los 61 °F (16 °C).

NOTA: En el modo de ventilador, la pantalla mostrará la temperatura actual. En el modo de ahorro de energía, enfriar o deshumidificar, la pantalla mostrará la temperatura establecida.

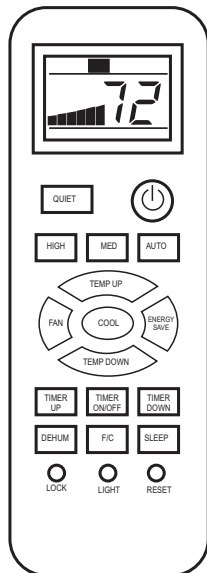
7. RESTABLECIMIENTO DEL FILTRO

Esta característica le notifica de manera automática que el filtro de aire debe limpiarse. La luz indicadora se encenderá después de 240 horas de funcionamiento. Limpie el filtro de aire (consulte la sección Cuidado y limpieza), colóquelo de nuevo en el tablero frontal y presione el botón Filter Reset (restablecimiento del filtro). La luz se apagará.

Controles

USO DEL CONTROL REMOTO

El control remoto puede tener una apariencia diferente al de la imagen mostrada.



NOTA: Retire la parte trasera del control e inserte dos baterías AAA. Reemplace las baterías después de 6 meses de uso, o bien, cuando el control remoto comience a perder energía.

NOTA: NO combine baterías viejas y nuevas.

1. ENCENDIDO

Oprima el encendido botón para encender el aire acondicionado. Cuando presione por primera vez el encendido botón, el aire acondicionado operará en modo de ahorro de energía, con la velocidad del ventilador establecida en Quiet (silencioso) y una temperatura de 72 °F (22.2 °C). Usted puede seleccionar otro modo que se ajuste a sus necesidades.

2. Velocidad

High - Press HIGH button to choose high fan speed.

Me Alta - Oprima el botón High para elegir la velocidad alta del ventilador.

Media - Oprima el botón Med para elegir la velocidad media del ventilador.

Quiet - Oprima el botón Quiet para elegir la velocidad silenciosa (mínima) del ventilador.

Auto Cool - Oprima el botón Auto Cool para elegir la velocidad del ventilador con enfriamiento automático. d - Press MED button to choose medium fan speed.

Quiet - Press QUIET button to choose quiet fan speed.

Auto Cool - Press AUTO button to choose auto cool fan speed.

3. MODO

FAN - Oprima el botón Fan para activar el modo de ventilador.

COOL - Oprima el botón Cool para activar el modo de enfriamiento.

ENERGY SAVE - Oprima el botón Energy Save para activar el modo de ahorro de energía.

DEHUM - Oprima el botón Dehum para activar el modo de deshumidificación.

4. TEMPORIZADOR

Para ajustar el aire acondicionado para que se apague después de una cantidad determinada de horas, entre 1 y 24 (la unidad debe estar encendida):

1. Oprima el botón **TIME ON/OFF** (Encendido/Apagado del temporizador) en el control remoto para seleccionar la función de apagado del temporizador.

2. O prima el botón de flecha **TIMER +** (aumentar temporizador) o **TIMER -** (disminuir temporizador) para cambiar el tiempo de demora de 1 a 24 horas. La luz indicadora Timer OFF del panel de control del aire acondicionado se encenderá.

3. El timbre suena dos veces después de 5 segundos, luego Timer OFF cuenta atrás iniciará .

PARA BORRAR LA PROGRAMACIÓN DE DEMORA DEL TEMPORIZADOR:

NOTA: El aire acondicionado puede estar encendido o apagado. Oprima el botón **TIMER ON/OFF** hasta que la luz indicadora del temporizador se apague.

5. AUMENTAR/DISMINUIR TEMPERATURA

• O prima el botón **TEMP UP** para aumentar la temperatura. Cada vez que oprima el botón **TEMP UP**, la temperatura aumentará 1 °F (-16° C) hasta llegar a los 86 °F (30 °C).

• O prima el botón **TEMP -** para disminuir la temperatura. Cada vez que oprima el botón **TEMP DOWN**, la temperatura disminuirá 1 °F (-16° C) hasta llegar a los 61 °F (16 °C).

6. DORMIR

1. O prima el botón **SLEEP** para elegir el modo de apagado automático. La pantalla mostrará (08) y se encenderá la luz del indicador.

2. La temperatura aumentará 2 °F (-16 °C) 1 hora después de haber seleccionado el modo. Posteriormente la temperatura aumentará otros 2 °F (-16 °C) después de 1 hora. La unidad mantendrá esta temperatura durante 6 horas y después se detendrá.

3. Para apagar el modo de apagado automático, presione el botón **SLEEP** hasta que la luz del indicador se apague.

7. FAHRENHEIT/CELSIUS

• O prima el botón **F/C** para elegir entre Fahrenheit y Celsius.

8. BLOQUEO

• O prima el botón **LOCK** (bloquear) en el control remoto para deshabilitar la funcionalidad del botón. Oprima el botón Lock nuevamente para activar la funcionalidad del control remoto.

9. LUZ

• Cuando presione el botón **LIGHT** (luz), la pantalla de la unidad se apagará, pero la unidad continuará operando normalmente. Cuando presione nuevamente el botón **LIGHT** o cualquier botón del control remoto, la pantalla se volverá a iluminar.

10. RESTABLECER

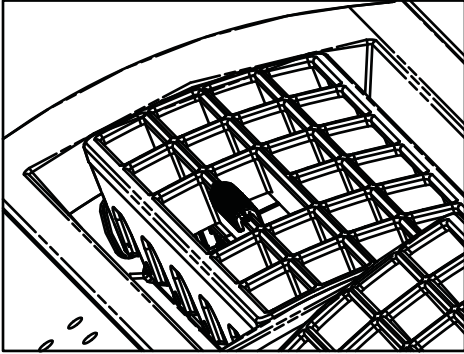
• Oprima el botón **Reset** para restablecer la unidad a la configuración de fábrica.

Controles

DIRECCIÓN DEL AIRE

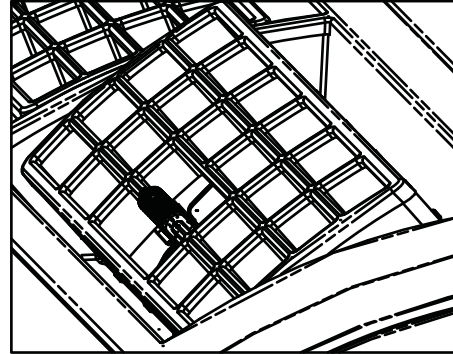
Enfriamiento mínimo:

Para reducir la capacidad de enfriamiento, apunte para arriba las rejillas que dan dirección al aire.



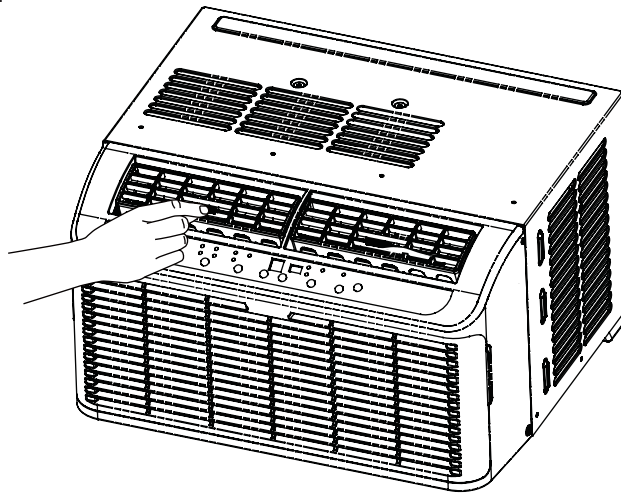
Enfriamiento máximo:

Para maximizar la capacidad de enfriamiento, apunte para abajo las rejillas que dan dirección al aire..



CAMBIO DE LA DIRECCIÓN DEL AIRE

Flujo de aire de 4 direcciones: Las rejillas direccionales de aire le permiten controlar la dirección del flujo de aire. El flujo de aire se puede dirigir hacia arriba o hacia abajo y hacia la derecha o izquierda.

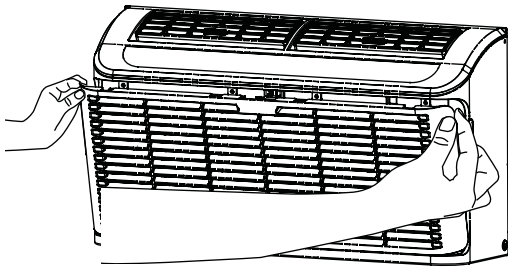


Cuidado y limpieza

LIMPIEZA DEL FILTRO DE AIRE

Para facilitar la limpieza, se puede quitar el filtro de aire. Un filtro de aire limpio ayuda a eliminar del aire el polvo, las pelusas y las partículas para obtener un enfriamiento óptimo y un funcionamiento eficaz. La luz Filter Reset se encenderá para notificarle que el filtro de aire debe limpiarse. La luz se enciende después de un funcionamiento de 240 horas del aire acondicionado.

1. Encienda el aire acondicionado y desconecte el cable de suministro eléctrico del tomacorriente.
2. Para quitar el filtro de aire, abra el panel frontal y saque el filtro de aire. Algunos modelos pueden tener un filtro que se desliza para sacarlo, por lo que no requiere que se abra el panel frontal.



3. Utilice una aspiradora con el accesorio de manguera para limpiar el filtro de aire. Si el filtro de aire está muy sucio, lávelo con agua tibia y detergente suave. No lave el filtro de aire en un lavavajillas, una lavadora, ni utilice limpiadores químicos. No use una secadora ni un horno de microondas para secarlo. Deje que el filtro seque completamente al aire libre antes de colocarlo de nuevo en la unidad.
4. Coloque nuevamente el filtro de aire en el aire acondicionado.
5. Cierre el panel frontal.
6. Conecte el cable de suministro eléctrico en el tomacorriente, encienda el aire acondicionado y presione el botón de restablecimiento de filtro para apagar la luz indicadora.

NOTA: No haga funcionar el aire acondicionado sin colocar el filtro en su lugar.

LIMPIEZA DEL PANEL FRONTAL

1. Encienda el aire acondicionado y desconecte el cable de suministro eléctrico del tomacorriente.
2. Limpie el panel frontal con un paño suave. No utilice limpiadores químicos, especialmente limpiadores en aerosol, instrumentos filosos ni líquidos inflamables. Estos productos pueden dañar la superficie del aire acondicionado.
3. Deje que el panel frontal seque completamente al aire.
4. Conecte el cable de suministro eléctrico en el tomacorriente y encienda el aire acondicionado.

Instrucciones de instalación

¿Preguntas? Visite nuestra página en la red en: GEAppliances.com

ANTES DE INICIAR

Lea estas instrucciones completa y cuidadosamente.

- **IMPORTANTE** – Guarde estas instrucciones para uso del inspector local.
- **IMPORTANTE** – Observe todos los códigos y órdenes de ley.
- **Nota al instalador** – Asegúrese de dejar estas instrucciones con el consumidor.
- **Nota al consumidor** – Conserve estas instrucciones para referencia futura..
- **Nivel de destreza** – La instalación de este aparato requiere de destrezas mecánicas básicas.
- **Tiempo de ejecución** – Aprox. 1 hora
- Recomendamos dos personas para la instalación de este producto.
- La instalación apropiada es la responsabilidad del instalador.
- La falla del producto debido a una instalación inadecuada no está cubierta por la garantía.
- Cuando instale este acondicionador de aire, DEBE usar todas las piezas suministradas y usar procedimientos adecuados de instalación.

REQUISITOS ELÉCTRICOS



Algunos modelos requieren tomacorrientes de 115/120 voltios de corriente alterna y 60 Hz conectados a tierra, protegidos con un fusible de dilatación de tiempo de 15 amperios o un cortacircuitos.

El enchufe de tres púas con conexión a tierra minimiza la posibilidad de descargas eléctricas. Si el tomacorriente de la pared que usted planea usar solamente tiene 2 tomas, es su responsabilidad hacer que un técnico lo reemplace por uno de tres tomas con conexión a tierra.

▲PRECAUCIÓN

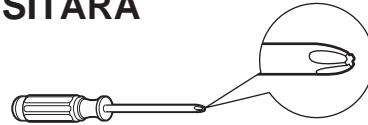
Bajo ninguna circunstancia corte o remueva la tercera púa (conexión a tierra) del cable eléctrico. No cambie el enchufe en el cable eléctrico de este acondicionador de aire.

Los cables caseros de aluminio podrían presentar problemas especiales. Consulte a un técnico electricista calificado.

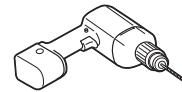
REQUISITOS ELÉCTRICOS(CONT)

El cable de alimentación incluye un dispositivo para interrupción de corriente. Se incluye un botón de prueba y de reinicio en el dispositivo. El dispositivo debe ponerse a prueba periódicamente: primero se presiona el botón de **TEST** (prueba) y luego **RESET** (reinicio) mientras se encuentra enchufado al tomacorriente. Si el botón **TEST** no se dispara o si el botón **RESET** no queda enganchado, deje de utilizar el acondicionador de aire y comuníquese con un técnico calificado.

HERRAMIENTAS QUE NECESITARÁ



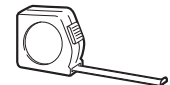
Un destornillador de estrella



Taladro y broca de 1/8"



Lápiz



Una regla o cinta métrica



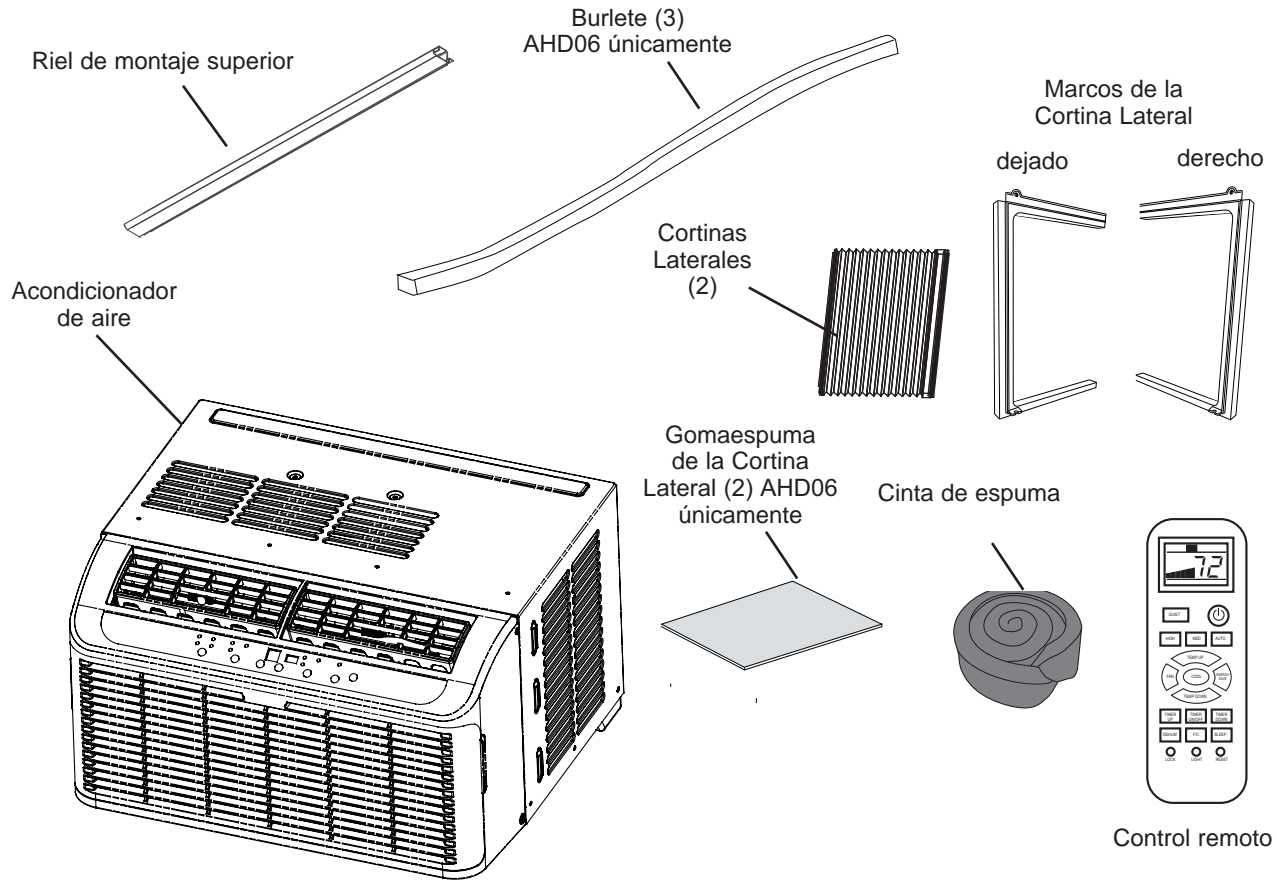
Nivel



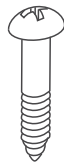
Tijeras o cuchilla

Instrucciones de instalación

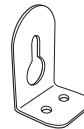
PARTES INCLUIDAS (La apariencia puede variar)



Tipo A (4)
Tornillos
autorroscantes
de 3/8"



Tipo B (9)
Tornillo de madera
de 1"



Soportes Laterales
(2)

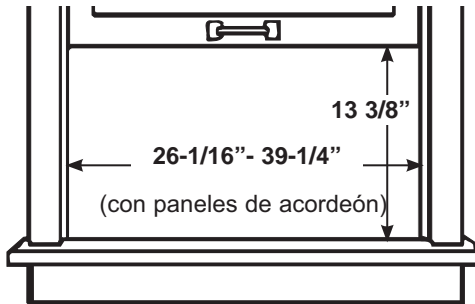


Soporte de Cierre
de la Ventana (1)

Instrucciones de instalación

1. REQUISITOS PARA LA VENTANA

- Estas instrucciones son para una ventana estándar de dos pliegues. Usted necesitará modificar el proceso para otros tipos de ventanas.
- El acondicionador de aire puede instalarse sin los paneles de acordeón para ajustarse a una ventana más estrecha. Ver las dimensiones de la abertura de la ventana.
- Todas las partes de apoyo deben quedar totalmente aseguradas a algún metal, mampostería o a la madera.
- El tomacorriente eléctrico debe estar al alcance del cable eléctrico del acondicionador de aire.
- Siga las dimensiones de la tabla y la ilustración según su modelo.



2. REQUISITOS DE UNA VENTANA DE TORMENTAS

Un marco de ventana de tormentas no permitirá que el acondicionador de aire se incline hacia el exterior y evitará que drene apropiadamente. Para solucionar este problema, adhiera un pedazo de madera a el umbral.

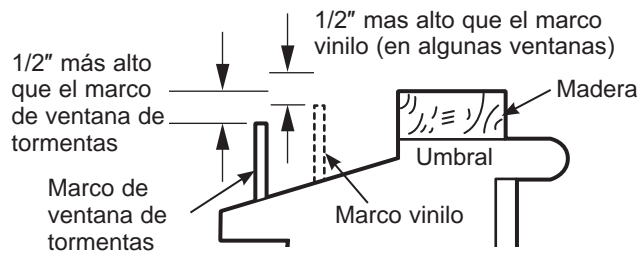
PEDAZOS DE MADERA

ANCHO: 2"

LONGITUD: Lo suficientemente largo como para ajustar en el interior del marco de la ventana.

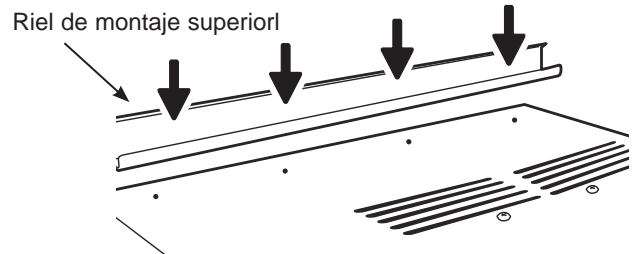
GRUESO: Para determinar el grueso, coloque un pedazo de madera en el umbral para hacerla 1/2" más alta que la parte superior del marco de la ventana de tormentas o del marco vinilo.

Péguelo firmemente con clavos o con tornillos proporcionados por el instalador.

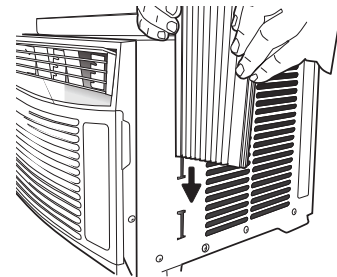


3. PREPARE EL ACONDICIONADOR DE AIRE

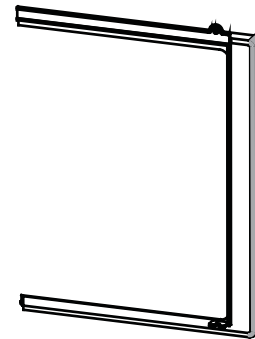
- A.** Instale el riel de montaje superior con tornillos Tipo A, 4 desde la parte exterior de la caja.



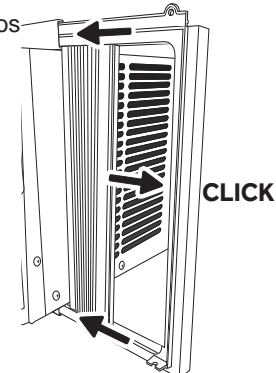
- B.** Deslice los paneles de la cortina lateral en los rieles del panel lateral.



- C. Para el modelo AHD06,** corte y coloque un burlete sobre el lateral del marco de la cortina (uno en cada lado).



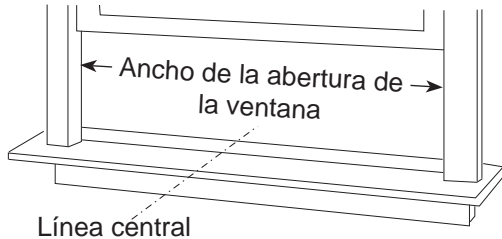
- D.** Deslice los marcos de las cortinas laterales izquierda y derecha en el riel de montaje superior e inferior. Asegúrese de que las cortinas laterales coincidan sobre los costados de los marcos.



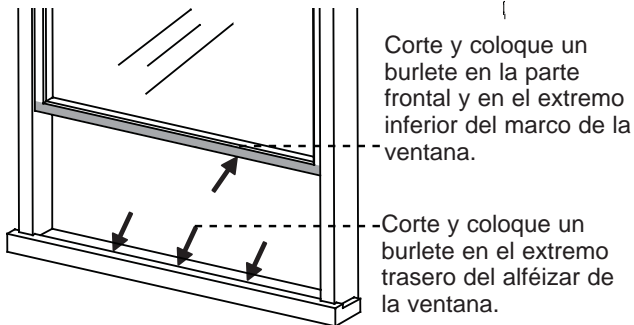
Instrucciones de instalación

4. INSTALL THE AIR CONDITIONER IN THE WINDOW

A. Mida el ancho de la abertura de la ventana y marque la línea central del alféizar interior de la ventana.



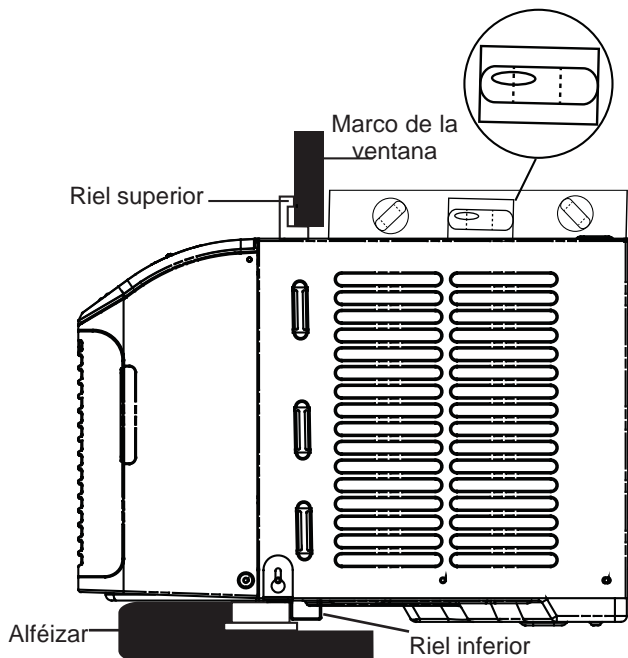
Para el modelo AHD06,



Coloque la unidad en la ventana. Baje el marco de la ventana para mantener sostenida la unidad.

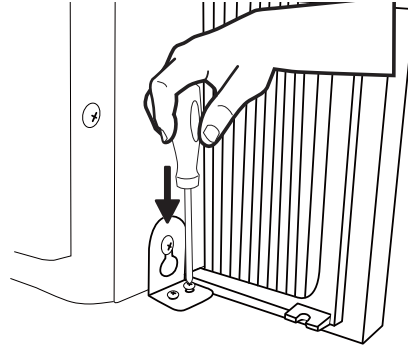
B. Coloque el acondicionador de aire en la ventana de modo que se encuentre centrado. Coloque el acondicionador de aire de modo que el extremo frontal del riel de montaje inferior se encuentre contra el extremo trasero del alféizar.

Asegúrese de que el acondicionador de aire esté nivelado o apenas inclinado hacia el exterior.

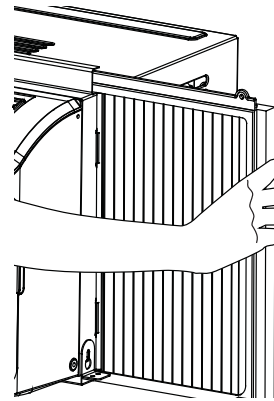


4. INSTALL THE AIR CONDITIONER IN THE WINDOW (continues)

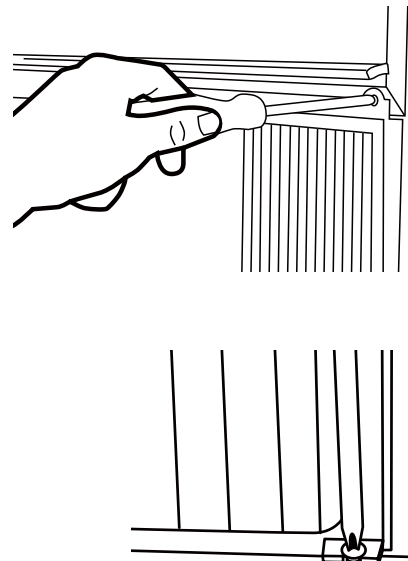
C. Instale el soporte lateral en la unidad y en el alféizar de la ventana, usando los dos tornillos de madera de 1" provistos. Repita este paso del otro lado.



D. Extienda los paneles de la cortina hasta que llenen la ventana.



Marque la ubicación de los agujeros en cada esquina. Use el taladro y una broca de 1/8" para taladrar agujeros piloto. Use 4 tornillos tipo B para asegurar los paneles laterales en sus lugares correspondientes.



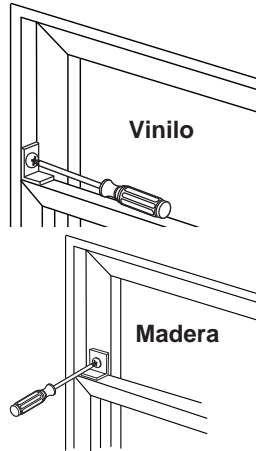
Instrucciones de instalación

5. INSTALE EL SOPORTE DE LA TRABA DE LA VENTANA Y LA JUNTA SUPERIOR DE GOMAESPUMA DE LA VENTANA

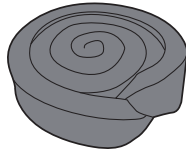
Use un tornillo tipo B para instalar el soporte de bloqueo arriba de la parte inferior de la ventana.

A. PRECAUCIÓN

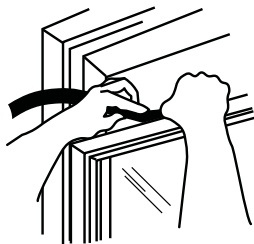
Para evitar la rotura de vidrios o daños sobre las ventanas, sobre vinilo o ventanas construidas de manera similar, adjunte el soporte de bloqueo de la ventana a la jamba lateral de la ventana con un tornillo Tipo B.



B. Corte la junta de gomaespuma superior de la ventana del mismo ancho que la ventana.



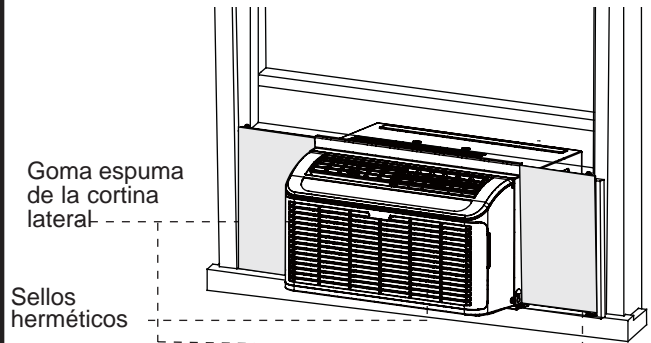
C. Coloque la gomaespuma entre el vidrio y la ventana para evitar el ingreso de aire e insectos a la habitación.



NOTA: Si la junta provista no se ajusta a su ventana, obtenga el material apropiado en forma local para contar con un sellado correcto en la instalación.

5. INSTALE EL SOPORTE DE LA TRABA DE LA VENTANA Y LA JUNTA SUPERIOR DE GOMAESPUMA DE LA VENTANA

D. Para ahorros adicionales de energía, sólo en AHD06, mida y corte las planchas adhesivas con base de gomaespuma, y coloque las mismas sobre las cortinas laterales y marcos para sellar el paso del aire.

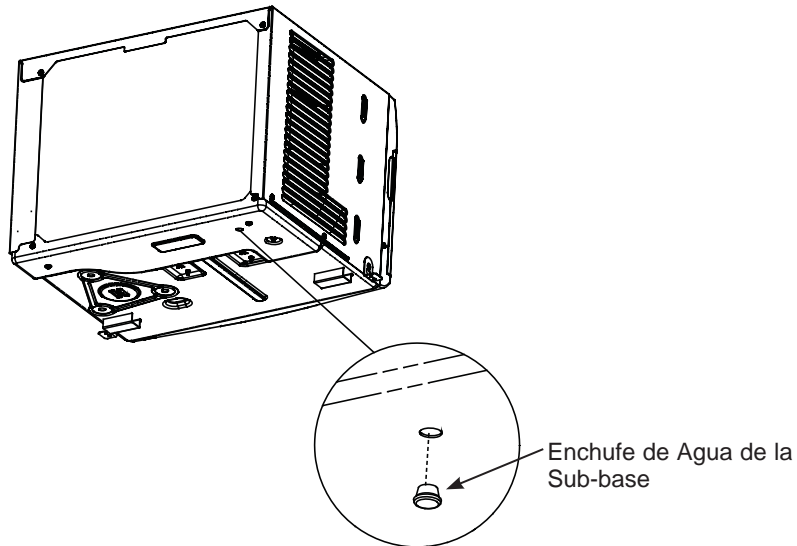


Consejos para la Solución de Problemas... Antes de solicitar el servicio técnico

¡Ahorre tiempo y dinero! Primero revise los cuadros que aparecen en las siguientes páginas y es posible que no necesite solicitar reparaciones.

| Problema | Causas posibles | Qué hacer |
|---|---|--|
| El acondicionador de aire no enciende | El acondicionador de aire está desconectado. | Cerciórese de que el acondicionador de aire está enchufado totalmente en el tomacorriente. |
| | El fusible se disparó/ el cortacircuitos se disparó. | Inspeccione los fusibles / caja de interruptores de la casa y reemplace cualquier fusible o reajuste el interruptor. |
| | Interrupción en el suministro eléctrico. | La unidad se reiniciará automáticamente con la configuración utilizada por última vez luego de reestablecer la electricidad. Existe un retraso de tiempo por protección (de aproximadamente 3 minutos) para evitar la desconexión por sobrecarga del compresor. Por esta razón, es posible que la unidad no comience a enfriar de forma normal hasta transcurridos 3 minutos desde que volvió a encenderse. |
| El acondicionador de aire no enfría como debería | El dispositivo de interrupción de corriente se ha activado. | Presione el botón RESET ubicado en el cable de alimentación. Si el botón RESET no se mantiene en su lugar, no utilice más el acondicionador de aire y comuníquese con un técnico calificado. |
| | El flujo de aire está restringido. | Cerciórese de que no existe ninguna cortina, persiana o mueble bloqueando el frente del acondicionador de aire. |
| | El control de temperatura no está ajustado apropiadamente. | En los modelos con botones, gire la temperatura a un número mayor. |
| | El filtro de aire está sucio. | Limpie el filtro cada 30 días por lo menos. Ver la sección de Cuidado y limpieza. |
| | La habitación podría haber estado caliente. | Cuando el acondicionador de aire se enciende, usted necesita darle tiempo para que enfríe la habitación. |
| | El aire frío se está escapando. | Cerciórese de que los registros de la calefacción no están abiertos y se encuentran retornando el aire frío. |
| El acondicionador de aire se está congelando | Las bobinas de enfriamiento se congelaron. | Ver "Acondicionador de aire congelándose" más adelante. |
| | El hielo bloquea el flujo de aire hacia el acondicionador de aire evitando que se enfríe la habitación. | En modelos con los botones de control, coloque el control de modo en High Fan (Ventilador Alto) ó High Cool (Frío Alto) con la temperatura en 1 ó 2. |
| Hay agua goteando afuera | Tiempo húmedo y caliente. | Esto es normal. |
| Hay agua goteando en el interior de la habitación | El acondicionador de aire no está inclinado hacia afuera. | Para drenar el agua apropiadamente, cerciórese de que el acondicionador de aire está inclinado ligeramente desde el frente hacia atrás. |
| Se acumula agua en la bandeja | La humedad removida del aire y se drena hasta la bandeja. | Esto es normal por un corto período en áreas con poca humedad; normal por un período de tiempo más postergado en áreas más húmedas. |

- Quizás escuche un sonido metálico causado por el agua tomada y tirada contra el condensador en los días lluviosos o cuando la humedad es alta. Esta característica de diseño ayuda a remover la humedad y mejora la eficiencia.
- Quizás escuche que el termostato hace clic cuando el compresor hace ciclo entre encendido y apagado.
- El agua se acumula en la bandeja durante días lluviosos o con mucha humedad. El agua podría derramarse y gotear desde el lado externo de la unidad.
- El ventilador podría funcionar aun si el compresor no lo hace.
- Las gotitas de agua que caen contra las bobinas externas pueden hacer un ruido de "ping". Esto ayuda a enfriar el condensador. Puede reducir este ruido retirando el enchufe de agua de la sub-base.



Para asegurar la máxima eficiencia, se recomienda verificar que el tapón de drenaje de goma esté correctamente insertado. Este tapón se puede quitar durante la operación para minimizar el agua en la parte posterior de la unidad; sin embargo, quitarlo reducirá la eficiencia de su unidad.

NOTA: No haga un agujero en la olla de la base.

Garantía Limitada del Acondicionador de Aire GE Appliances

Grape aquí su recibo.

Se requiere facilitar prueba de la fecha de compra original para hacer un reclamo de garantía.

| Por el Período de: | Reemplazaremos: |
|--|--|
| Un Año Desde la fecha de la compra original | Reemplazo, reparación o reembolso del costo minorista original de cualquier producto que falle debido a un defecto en los materiales o la fabricación. Si la unidad es cambiada, la unidad de reemplazo posee garantía por el resto del período de la garantía original de un año sobre su producto. GE Appliances reemplazará, a su exclusivo criterio, el producto por otro de la misma o de una funcionalidad y calidad comparable o hará un reembolso por el precio minorista original. |

A Fin de Realizar un Reclamo de la Garantía Durante el Período de Devolución Permitido por el Vendedor Minorista:

- **Embale la unidad correctamente. Le recomendamos usar la caja de cartón y los materiales de embalaje originales.**
- **Entregue el producto en la ubicación del vendedor minorista donde fue adquirido.**
- **Incluya en el paquete una copia del receptor de la venta u otro comprobante de la fecha de compra original. También escriba su nombre y domicilio y una descripción del defecto.**

A Fin de Realizar un Reclamo sobre la Garantía Durante el Resto de la Garantía de un Año:

- **Ubique su recibo de venta original y haga una nota de su modelo y número de serie.**
- **Llame al 800.GE.CARES (800.432.2737) (en Estados Unidos) para iniciar el proceso de reemplazo del producto.**
- **Se solicitará su nombre, domicilio, fecha de compra, y números de modelo y serie.**
- **GE Appliances hará arreglos para que se envíe una caja de cartón a su hogar para recuperar el producto.**
- **Por favor entregue todos los materiales solicitados (envío postal prepago) en la caja de cartón provista. Por favor incluya una descripción del defecto.**
- **Debería recibir el producto de reemplazo o un reembolso entre los 7 y 10 días hábiles una vez que hayamos recibido su paquete.**

Qué No Será Cubierto:

- **Instrucción al cliente. Este manual del propietario brinda información relacionada con instrucciones de funcionamiento y controles del usuario.**
- **Instalación inadecuada. Si tiene un problema de instalación o el acondicionador de aire no posee la capacidad adecuada, contacte a su vendedor minorista o instalador. Usted es responsable de brindar instalaciones de conexión eléctrica adecuadas.**
- **Falla del producto como resultado de modificaciones sobre el mismo o debido a un uso irrazonable, incluyendo la falta de mantenimiento razonable o necesario.**
- **Reemplazo de fusibles del hogar o reinicio de disyuntores.**
- **Fallas como consecuencia de corrosión en modelos sin protección contra ésta.**
- **Daños ocasionados sobre el producto por nivel de suministro de voltaje inadecuado, accidente, incendio, inundaciones o catástrofes naturales.**
- **Daños consecuentes o incidentales causados por posibles defectos del acondicionador de aire.**
- **Daño causado después de la entrega.**

EXCLUSIÓN DE GARANTÍAS IMPLÍCITAS—Su única y exclusiva alternativa es la reparación del producto, como se indica en la Garantía Limitada. Las garantías implícitas, incluyendo garantías implícitas de comerciabilidad o conveniencia sobre un propósito particular, se limitan a un año o al período más corto permitido por la ley.

Para Clientes de EE.UU: Esta garantía limitada se extiende al comprador original y a cualquier dueño subsiguiente de productos comprados para uso hogareño dentro de EE.UU. Si el producto está en un área donde no se encuentra disponible un Proveedor Autorizado del Servicio Técnico de GE Appliances, usted será responsable por el costo de un viaje o se podrá requerir que traiga el producto a una ubicación del Servicio Técnico de GE Appliances Autorizado para recibir el servicio. En Alaska, la garantía limitada excluye el costo de envío o llamadas del servicio técnico a su hogar.

Algunos estados no permiten la exclusión o limitación de daños fortuitos o consecuentes. Esta garantía limitada le da derechos legales específicos y es posible que tenga otros derechos legales que varían entre un estado y otro. Para conocer cuáles son sus derechos legales, consulte a la oficina de asuntos del consumidor local o estatal o al Fiscal de su estado.

Garante en EE.UU:
GE Appliances, a Haier company
Louisville, KY 40225

Soporte al Cliente

GE Appliances Sitio Web

¿Desea realizar una consulta o necesita ayuda con su electrodoméstico? ¡Intente a través del Sitio Web de Electrodomésticos de GE Appliances las 24 horas del día, cualquier día del año! Usted también puede comprar más grandiosos productos de GE Appliances y sacar ventaja de todos nuestros servicios a través de Internet diseñados para su conveniencia.
En EE.UU.: GEAppliances.com

Registre su Electrodoméstico

¡Registre su electrodoméstico nuevo a través de Internet, según su conveniencia! Un registro puntual de su producto permitirá una mejor comunicación y un servicio más puntual de acuerdo con los términos de su garantía, en caso de surgir la necesidad. También puede enviar una carta en la tarjeta de inscripción pre-impresa que se incluye con el material embalado.
En EE.UU.: GEAppliances.com/register

Servicio Programado

El servicio de reparación de expertos de GE Appliances está a sólo un paso de su puerta. ¡Conéctese a través de Internet y programe su servicio a su conveniencia cualquier día del año! En EE.UU.: GEAppliances.com/service o llame al 800.432.2737 durante el horario comercial habitual.

Garantías Extendidas

Adquiera una garantía extendida de GE Appliances y aprenda sobre descuentos especiales que están disponibles mientras su garantía aún está vigente. La puede adquirir en cualquier momento a través de Internet. Los Servicios de GE Appliances aún estarán allí cuando su garantía caduque. En EE.UU.: GEAppliances.com/extended-warranty o llame al 800.626.2224 durante el horario comercial habitual.

Conectividad Remota

Para solicitar asistencia con la conectividad de red inalámbrica (para modelos con activación remota), visite nuestro sitio Web en GEAppliances.com/connect o llame al 800.220.6899 en EE.UU.

Piezas y Accesorios

Individuos calificados para realizar el servicio técnico de sus propios electrodomésticos podrán solicitar el envío de piezas o accesorios directamente a sus hogares (se aceptan las tarjetas VISA, MasterCard y Discover). Ordene a través de Internet hoy durante las 24 horas del día. En EE.UU.: GEApplianceparts.com o por teléfono al 877.959.8688 durante el horario comercial habitual.

Las instrucciones que figuran en este manual cubren los procedimientos que serán realizados por cualquier usuario. Otros servicios técnicos generalmente deberían ser derivados a personal calificado del servicio. Se deberá tener cuidado, ya que una reparación indebida podrá ocasionar que el funcionamiento no sea seguro.

Contáctenos

Si no se encuentra satisfecho con el servicio que recibió de GE Appliances, comuníquese con nosotros a través de nuestro sitio Web con todos los detalles, incluyendo su número telefónico, o escriba a:

En EE.UU.: General Manager, Customer Relations | GE Appliances, Appliance Park | Louisville, KY 40225
GEAppliances.com/contact