



REFRIGERATORS

SAFETY INFORMATION. 3

USING THE APPLIANCE
 Control Settings 5
 Refrigerator Features 5

CARE AND CLEANING .. 6

INSTALLATION INSTRUCTIONS...... 8

TROUBLESHOOTING TIPS13

LIMITED WARRANTY ...15

CONSUMER SUPPORT ..16

OWNER'S MANUAL & INSTALLATION INSTRUCTIONS

GCV06 Models

ENGLISH/FRANÇAIS/ESPAÑOL

Write the model and serial numbers here:

Model # _____

Serial # _____

Find these numbers on a label inside the refrigerator on the side wall.

THANK YOU FOR MAKING GE APPLIANCES A PART OF YOUR HOME.

Whether you grew up with GE Appliances, or this is your first, we're happy to have you in the family.

We take pride in the craftsmanship, innovation and design that goes into every GE Appliances product, and we think you will too. Among other things, registration of your appliance ensures that we can deliver important product information and warranty details when you need them.

Register your GE appliance now online. Helpful websites and phone numbers are available in the Consumer Support section of this Owner's Manual. You may also mail in the pre-printed registration card included in the packing material.



GE APPLIANCES

IMPORTANT SAFETY INFORMATION

READ ALL INSTRUCTIONS BEFORE USING

⚠ WARNING To reduce the risk of fire, explosion, electric shock, or injury when using your refrigerator, follow these basic safety precautions:

- This refrigerator must be properly installed and located in accordance with the Installation Instructions before it is used.
- Disconnect the refrigerator from main power supply at rear of unit, remove refrigerator circuit fuse, or turn off circuit breaker before making repairs or cleaning.
NOTE: Power to the refrigerator cannot be disconnected by any setting on the control panel.
NOTE: Repairs must be performed by a qualified Service Professional.
- Replace all parts and panels before operating.
- Do not store or use gasoline or other flammable vapors and liquids in the vicinity of this or any other appliance.
- Do not store explosive substances such as aerosol cans with a flammable propellant in this appliance.
- Do not use an extension cord. Use only continuous supply wires connected directly between the DC voltage source or distribution panel and the refrigerator.
- To prevent suffocation and entrapment hazards to children, remove the fresh food and freezer doors from any refrigerator before disposing of it or discontinuing its use.
- To avoid serious injury or death, children should not stand on, or play in or with the appliance.
- Children and persons with reduced physical, sensory or mental capabilities or lack of experience and knowledge can use this appliance only if they are supervised or have been given instructions on safe use and understand the hazards involved.
- This appliance is intended to be used in household and similar applications such as: staff kitchen areas in shops, offices and other working environments; farm houses; by clients in hotels, motels, bed & breakfast and other residential environments; catering and similar non-retail applications.
- Do not apply harsh cleaners to the refrigerator. Certain cleaners will damage plastic which may cause parts such as the door or door handles to detach unexpectedly. See the Care and Cleaning section for detailed instructions.

⚠ CAUTION To reduce the risk of injury when using your refrigerator, follow these basic safety precautions.

- Do not clean glass shelves or covers with warm water when they are cold. Glass shelves and covers may break if exposed to sudden temperature changes or impact, such as bumping or dropping. Tempered glass is designed to shatter into many small pieces if it breaks.
- Keep fingers out of the “pinch point” areas; clearances between the doors and between the doors and cabinet are necessarily small. Be careful closing doors when children are in the area.
- Do not touch the cold surfaces in the freezer compartment when hands are damp or wet, skin may stick to these extremely cold surfaces.
- Do not refreeze frozen foods which have thawed completely.

READ AND SAVE THESE INSTRUCTIONS

IMPORTANT SAFETY INFORMATION

READ ALL INSTRUCTIONS BEFORE USING

INSTALLATION

▲ WARNING



EXPLOSION HAZARD

Keep flammable materials and vapors, such as gasoline, away from refrigerator. Failure to do so can result in fire, explosion, or death.

CONNECTING ELECTRICITY

▲ WARNING



ELECTRICAL SHOCK HAZARD

Failure to follow these instructions can result in death, fire, or electrical shock.

For personal safety, this appliance must be properly grounded.

A 12 volt DC, 15-20-amp fused, grounded electrical supply is required. This provides the best performance and also prevents overloading RV wiring circuits which could cause a fire hazard from overheated wires.

Do not connect the refrigerator to AC voltage circuits, or to AC outlet of inverter.

The refrigerator should always be connected to its own individual electrical branch leading directly to the main DC voltage source or distribution panel.

Immediately discontinue use if the main power supply line has been damaged. If the supply line is damaged, it must be repaired by a qualified service professional.

When removing the refrigerator away from the wall, be careful not to roll over or damage the main power supply line.

PROPER DISPOSAL OF YOUR OLD REFRIGERATOR

▲ WARNING

SUFFOCATION AND ENTRAPMENT HAZARD

Failure to follow these disposal instructions can result in death or serious injury

IMPORTANT: Child entrapment and suffocation are not problems of the past. Junked or abandoned refrigerators or freezers are still dangerous even if they will sit for "just a few days." If you are getting rid of your old refrigerator or freezer, please follow the instructions below to help prevent accidents.

Before You Throw Away Your Old Appliance

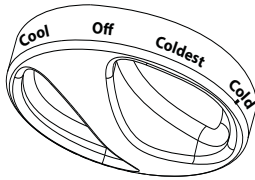
- Take off the fresh food and freezer doors.
- Leave the shelves in place so that children may not easily climb inside.

Refrigerant and Foam Disposal:

Dispose of refrigerator in accordance with Federal and Local Regulations. Flammable insulation material used requires special disposal procedures. Contact your local authorities for the environmentally safe disposal of your refrigerator.

READ AND SAVE THESE INSTRUCTIONS

Controls



Control Settings

The temperature control maintains the temperature in the refrigerator. Setting the control at **COOL** is the warmest setting. Setting the control at **COLDEST** is the coldest setting. Set the control at **COLD**.

Allow 24 hours for the refrigerator to reach the desired temperature. If you want a colder or warmer temperature, move the dial one setting at a time. Moving the control to **OFF** stops cooling but does not turn off the power to the refrigerator. Setting the control too high may cause freezing in the refrigerator depending on the room temperature.

After changing the control, allow 24 hours for the refrigerator to reach the temperature you have set.

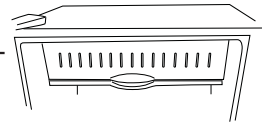
Features

Shelves

To remove a shelf, lift up the back slightly and pull forward. All models have multi-position shelves that can be moved to different levels.

Ice Tray Compartment

This compartment is designed for production of ice cubes and short-term storage (a few days at most) of some commercially-frozen foods when in contact with the evaporator (cold surface in compartment.)



Door Shelves

Shelves on the door provide convenient storage for frequently used items. this model has doors that are deep enough to store large bottles.

Care and Cleaning

Directions for Cleaning Outside Surfaces, Door Handles, and Trim

DO USE	DO NOT USE
Soft, clean cloth or sponge	Abrasive cloths, scrubbing sponges, scouring or steel wool pads
Mild detergent mixed with warm water Approved stainless steel cleaners; Visit the Café Appliances parts store for approved stainless steel cleaners: geappliancesparts.com or call 877.959.8688. Cleaners with oxalic acid such as Bar Keepers Friend Soft Cleanser™ can be used to remove surface rust, tarnish and small blemishes.	Abrasive powders or sprays Window Sprays or Ammonia Citrus or plant oil-based cleaners Acidic or vinegar-based cleaners Oven cleaners Cleaners containing acetone (propanone) Any cleaner with WARNING about plastic contact

NOTE: DO NOT allow stainless steel cleaner to come in contact with any plastic parts such as trim pieces, handle hardware and liners. If unintentional contact of cleaners with plastic parts does occur, clean plastic part with a sponge and mild detergent mixed with warm water.

Cleaning the Inside

To help prevent odors, leave an open box of baking soda in the fresh food and freezer compartments.

Remove power from refrigerator before cleaning.

Either disconnect main DC power supply wires at rear of unit, remove refrigerator circuit fuse, or turn off circuit breaker in DC voltage distribution panel. If this is not practical, wring excess moisture out of sponge or cloth when cleaning around switches, lights or controls.

Use warm water and baking soda solution—about a tablespoon (15 ml) of baking soda to a quart (1 liter) of water. This both cleans and neutralizes odors. Rinse and wipe dry.

Other parts of the refrigerator—including door gaskets, fruit and vegetable drawers, and all plastic parts—can be cleaned the same way.

After cleaning the door gaskets, apply a thin layer of petroleum jelly to the door gaskets at the hinge side. This helps keep the gaskets from sticking and bending out of shape. Do not use cleansing powders or other abrasive cleaners.

▲ CAUTION Do not clean glass shelves or covers with warm water when they are cold. Glass shelves and covers may break if exposed to sudden temperature changes or impact such as bumping or dropping. Tempered glass is designed to shatter into many small pieces if it breaks.

Do not wash any plastic refrigerator parts in the dishwasher.

Care and Cleaning

Replacing LED Lighting

▲ WARNING

Do not change the LED light by yourself. Please contact the after-sales service for replacement. Failure to heed this warning could result in injury or death from electric shock.

Defrosting

Defrost whenever frost on the wall of the ice tray compartment becomes 1/4" thick. **Never use a sharp or metallic instrument to remove frost as it may damage the cooling coils.** (A punctured cooling coil will cause serious problems and void the warranty.) We recommend using a plastic scraper. Do not use any electrical device in defrosting your refrigerator.

To defrost:

- Remove foods and ice trays from the ice tray compartment.
- Set the temperature control dial to **OFF**.

Defrosting usually takes a few hours. To defrost faster, keep the door open. Also, pouring warm (not hot) water on the frosted part may speed defrosting. **Do not use boiling water**—it may damage plastic parts.

After defrosting:

- Empty water from the drip tray or from the pan placed beneath the ice tray compartment. Wash the tray or pan with warm water.
- Wipe the ice tray compartment with a damp cloth.
- Turn the temperature control to the desired setting and return food and ice trays to the refrigerator.

NOTE: If ice buildup is very thick, it may keep the ice tray compartment door from opening or closing completely. Don't try to force it open; after defrosting, the door will open and close easily.

Preparing for Storage

For long storage or absences when refrigerator will not be used, remove food and either disconnect main DC power supply wires at rear of unit, or remove refrigerator circuit fuse or turn off circuit breaker in DC voltage distribution panel. Move the control to the OFF position, and clean the interior with a baking soda solution of one tablespoon (15ml) of baking soda to one quart (1 liter) of water. Leave the door open.

Preparing to Move

Remove food, remove refrigerator circuit fuse or turn off circuit breaker in DC voltage distribution panel, and disconnect main DC power supply wires at rear of unit. Secure all loose items such as shelves and drawers by taping them securely in place to prevent damage.

Be sure the refrigerator stays in an upright position during moving.

Installation Instructions

Read these instructions completely and carefully.

Refrigerator Location

- Do not install the refrigerator in a location exposed to water (rain, etc.) or direct sunlight.
- Install it on a floor strong enough to support it fully loaded.
- This refrigerator is designed to function properly in room temperatures ranging from 55°F (12.7°C) to 110°F (43°C). Operating the refrigerator in room temperatures outside this range will cause inadequate cooling.

Clearances

Allow the following clearances for ease of installation and proper air circulation.

Sides 0"(0 mm)*

Top 0"(0 mm)

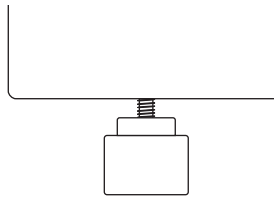
Back 0"(0 mm)

*0.5" (13 mm) for hinge side clearance

Leveling Legs

Adjustable legs at the front corners of the refrigerator should be set so the refrigerator is firmly positioned on the floor and the front is raised just enough that the door closes easily when opened about halfway.

To adjust the leveling legs, turn the legs **counterclockwise to raise** the refrigerator, **clockwise to lower** it.

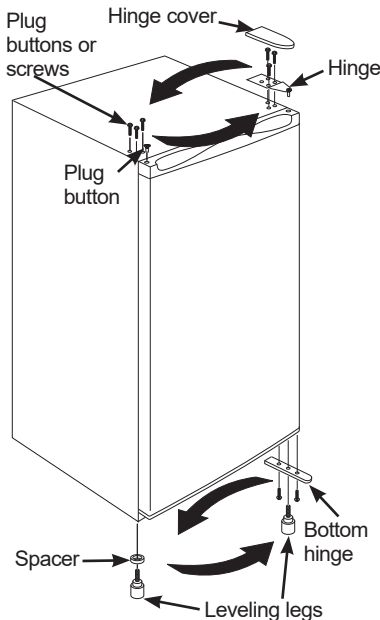


Turn counterclockwise to raise, clockwise to lower.

Installation Instructions

Door Reversal

1. Remove the small plug button on the left side of the door top cap.
2. Remove the 2 plug buttons or screws on the left side on top of the cabinet.
3. Remove the screw from the hinge cover, then remove the hinge cover by lifting it up by the front edge.
4. Remove the 2 screws from the top hinge.
5. Lift the door up and off the bottom hinge (right side).
6. Tilt the refrigerator cabinet back to remove the right leveling leg.
7. Remove the screws on the bottom hinge (right side) and remove the leveling legs, as well as plastic door stop. Move the bottom hinge and door stop to the left side and secure it with screws. Re-install the leveling legs
- IMPORTANT:** The left leg has a spacer or spacer feature that must be moved to the right side leveling leg when the door swing is reversed.
8. Screw the right leveling leg, with the spacer in place, back in place on the right side.
9. Position the door on the left bottom hinge. With the magnetic gasket holding the door in place, secure the top hinge with screws.
10. **Make sure the door is aligned with the refrigerator cabinet before continuing.**
11. Replace the hinge cover on top of the hinge.
12. Put the plug button in the hole on the right side of the door cap.
13. Put the 3 (2 on some models) plug buttons on the right side on top of the cabinet.



Installation Instructions

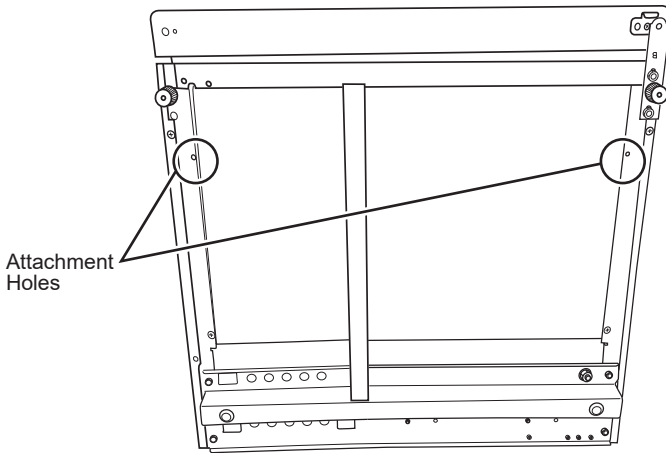
Floor Brackets (Not provided)

⚠ WARNING EXCESSIVE WEIGHT HAZARD

Use two or more people to move and position the refrigerator for floor bracket installation. Failure to do so can result in back or other injury.

Some RV appliance installations use floor or wall brackets to secure the appliance to the adjacent cabinetry in order to prevent movement during RV transportation. This refrigerator has provisions on the underside bottom surface for attaching floor brackets (not provided).

- To install floor brackets to the refrigerator, place the refrigerator on its back and locate the attachment holes provided, as shown, on the underside of the refrigerator.



- Attached one bracket on each side at these locations using sheet metal screws (not provided). It is recommended that #8-16 x 1/2" sheet metal screws be used.
- Return refrigerator to the upright position. Wait at least 4 hours after returning the refrigerator to the upright position before completing the electrical connections.

Installation Instructions

Electrical Connection

⚠ WARNING



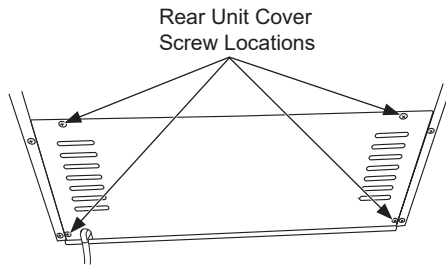
ELECTRICAL SHOCK HAZARD

Failure to follow these instructions can result in death, fire, or electric shock.

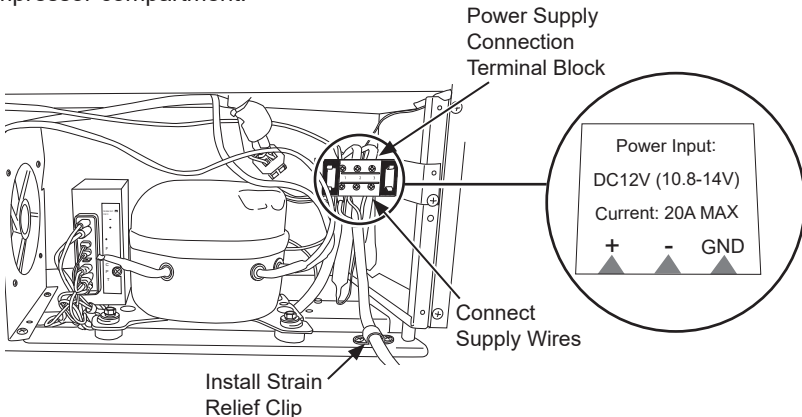
- Long lengths for DC voltage supply lines combined with small gauge wiring can lead to excessive voltage drop at the refrigerator connection which decreases the cooling performance of the refrigerator, and cause the wires to overheat possibly causing a fire. The below supply wire size is recommended.

Supply Wire Size	Maximum Supply Line Length
12 AWG	20 FT
10 AWG	35 FT
8 AWG	50 FT

- Before beginning the installation, disconnect power by removing refrigerator circuit fuse or turning off circuit breaker in the DC voltage distribution panel.
- Turn the control knob to the OFF position.
- Locate and remove the four screws of the lower rear unit cover as indicated using a Phillips screwdriver.



- Locate the power supply connection terminal block on the right side of the compressor compartment.



Installation Instructions

Electrical Connection (Cont.)

- Unsnap the clear plastic cover from the terminal block to access terminal screws. Loosen the supply side terminal screws on the lower side of the block with a Phillips screwdriver. Attach supply wires to the appropriate polarity and ground terminals as indicated on label: connect positive wire to terminal marked +, negative wire to terminal marked -, and ground to terminal marked GND. Retighten terminal block screws and replace clear plastic cover.
- A wiring strain relief clip must be installed for the supply wires. From the selection of wire clips provided in the Owner's Manual bag, select the appropriate size clip needed to fit the supply wires used.



- Use the screw also provided in the Owner's Manual bag to mount the strain relief clip at the location shown on the bottom rail of the compressor compartment. The wires must be completely snug after clip is installed with no movement or slippage of the wires within the clip when the wires are tugged.
- Replace the rear unit cover, routing the supply wires through the slot provided on the lower right of the cover.
- Move unit into its final position taking care not to roll over or damage the main power supply line.
- After completing installation, energize the appliance by replacing refrigerator circuit fuse or turning on circuit breaker in the DC voltage distribution panel. Return the control knob to the COLD position.

Before you call for service...

Troubleshooting Tips

Save time and money! Review the chart below first and you may not need to call for service.

Problem	Possible Causes	What To Do
Refrigerator does not operate	Control in OFF position.	Move the control to a temperature setting.
	The fuse is blown/circuit breaker is tripped.	Replace fuse or reset the breaker.
Vibration or rattling (slight vibration is normal)	Front leveling legs need adjusting.	See Leveling Legs .
Motor operates for long periods or cycles	Normal when refrigerator is first turned on.	Wait 24 hours for the refrigerator to completely cool down.
	Often occurs when large amounts of food are placed in refrigerator.	This is normal.
	Door left open.	Check to see if package is holding door open.
	Hot weather or frequent door openings.	This is normal.
	Temperature control set at the coldest setting.	See About the control .
Refrigerator too warm	Temperature control not set cold enough.	See About the control.
	Warm weather or frequent door openings.	Set the temperature control one step colder. See About the control.
	Door left open.	Check to see if package is holding door open.
Refrigerator has odor	Foods transmitting odor to refrigerator.	Foods with strong odors should be tightly wrapped. Keep an open box of baking soda in the refrigerator; replace every three months.
	Interior needs cleaning.	See Care and cleaning .
	Defrost water pan needs cleaning.	See Care and cleaning .
Moisture forms on outside of refrigerator	Not unusual during periods of high humidity.	Wipe surface dry.
Moisture collects inside (in humid weather, air carries moisture into refrigerator when door is opened)	Too frequent or too long door openings	

Notes

Refrigerator Limited Warranty

For US Customers, all limited warranty service provided by our Factory Service Centers, or an authorized Customer Care® technician. To schedule service, on-line, 24 hours a day, visit us at **GEAppliances.com**, or call GEAppliances at 800.GE.CARES (800.432.2737). Please have serial number and model number available when calling for service. **In Canada**, call 800.561.3344.

Staple your receipt here. Proof of the original purchase date is needed to obtain service under the warranty.

For the Period of:	GE Appliances Will Replace
One Year From the date of the original purchase	Any part of the refrigerator which fails due to a defect in materials or workmanship. During the limited one-year warranty , GE Appliances will also provide, free of charge , all labor and related service to replace the defective part.

What GE Appliances Will Not Cover:

- Service trips to your home to teach you how to use the product.
- Improper installation, delivery or maintenance.
- Failure of the product if it is abused, misused, or used for other than the intended purpose or used commercially.
- Loss of food due to spoilage.
- Replacement of house fuses or resetting of circuit breakers.
- Damage caused after delivery.
- Replacement of the water filter cartridge, if included, due to water pressure that is outside the specified operating range or due to excessive sediment in the water supply.
- Replacement of the light bulbs, if included, or water filter cartridge, if included, other than as noted above.
- Damage to the product caused by accident, fire, floods or acts of God.
- Incidental or consequential damage caused by possible defects with this appliance.
- Product not accessible to provide required service.
- Damage to finish, such as surface rust, tarnish, or small blemishes not reported within 48 hours of delivery.
- Products which are not defective, broken, or which are working as described in the owner's manual.

EXCLUSION OF IMPLIED WARRANTIES—Your sole and exclusive remedy is product repair as provided in this Limited Warranty. Any implied warranties, including the implied warranties of merchantability or fitness for a particular purpose, are limited to one year or the shortest period allowed by law.

For US Customers: This limited warranty is extended to the original purchaser and any succeeding owner for products purchased for home use within the USA. If the product is located in an area where service by a GE Appliances Authorized Servicer is not available, you may be responsible for a trip charge or you may be required to bring the product to an Authorized GE Appliances Service location for service. In Alaska, the limited warranty excludes the cost of shipping or service calls to your home.

Some states do not allow the exclusion or limitation of incidental or consequential damages. This limited warranty gives you specific legal rights, and you may also have other rights which vary from state to state. To know what your legal rights are, consult your local or state consumer affairs office or your state's Attorney General.

**Warrantor US: GE Appliances, a Haier company
Louisville, KY 40225**

For Customers in Canada: This limited warranty is extended to the original purchaser and any succeeding owner for products purchased in Canada for home use within Canada. In-home warrant service will be provided in areas where it is available and deemed reasonable by Mabe to provide.

Warrantor Canada: MC Commercial, Burlington, Ontario, L7R 5B6

Consumer Support

GE Appliances Website

Have a question or need assistance with your appliance? Try the GE Appliances Website 24 hours a day, any day of the year! You can also shop for more great GE Appliances products and take advantage of all our on-line support services designed for your convenience. In the US: GEAppliances.com In Canada: GEAppliances.ca

Register Your Appliance

Register your new appliance on-line at your convenience! Timely product registration will allow for enhanced communication and prompt service under the terms of your warranty, should the need arise. You may also mail in the pre-printed registration card included in the packing material.

In the US: GEAppliances.com/register

In Canada: Prodsupport.mabe.ca/crm/Products/ProductRegistration.aspx

Schedule Service

Expert GE Appliances repair service is only one step away from your door. Get on-line and schedule your service at your convenience any day of the year. In the US: GEAppliances.com/service or call 800.432.2737 during normal business hours.

In Canada: GEAppliances.ca/en/support/service-request or call 800.561.3344

Extended Warranties

Purchase a GE Appliances extended warranty and learn about special discounts that are available while your warranty is still in effect. You can purchase it on-line anytime. GE Appliances Services will still be there after your warranty expires. In the US: GEAppliances.com/extended-warranty or call 800.626.2224 during normal business hours.

In Canada: GEAppliances.ca/en/support/purchase-extended-warranty or call 800.290.9029

Remote Connectivity

For assistance with wireless network connectivity (for models with remote enable), visit our website at GEAppliances.com/connect or call 800.220.6899 in the US only.

Parts and Accessories

Individuals qualified to service their own appliances can have parts or accessories sent directly to their homes (VISA, MasterCard and Discover cards are accepted). Order on-line today 24 hours every day.

In the US: GEApplianceparts.com or by phone at 877.959.8688 during normal business hours.

Instructions contained in this manual cover procedures to be performed by any user. Other servicing generally should be referred to qualified service personnel. Caution must be exercised, since improper servicing may cause unsafe operation.

Customers in Canada should consult the yellow pages for the nearest Mabe service center, visit our website at GEAppliances.ca/en/products/parts-filters-accessories or call 800.661.1616.

Contact Us

If you are not satisfied with the service you receive from GE Appliances, contact us on our Website with all the details including your phone number, or write to:

In the US: General Manager, Customer Relations | GE Appliances, Appliance Park | Louisville, KY 40225

GEAppliances.com/contact

In Canada: Director, Consumer Relations, Mabe Canada Inc. | Suite 310, 1 Factory Lane | Moncton, N.B. E1C 9M3
GEAppliances.ca/en/contact-us



RÉFRIGÉRATEURS

MESURES DE SÉCURITÉ . . . 3

**UTILISATION DE
L'APPAREIL**

Réglage des commandes 5

Composants du réfrigérateur . . 5

**ENTRETIEN ET
NETTOYAGE 6**

**INSTRUCTIONS
D'INSTALLATION 8**

**CONSEILS DE
DÉPANNAGE13**

GARANTIE LIMITÉE15

**SOUTIEN AU
CONSOMMATEUR16**

**MANUEL
D'UTILISATION
ET D'INSTALLATION**

Modèles de GCV06

FRANÇAIS

Transcrivez les numéros de modèle et de série ici :

de modèle _____

de série _____

Ils figurent sur l'étiquette qui se trouve à l'intérieur du compartiment réfrigérateur en haute à droite.

NOUS VOUS REMERCIONS D'ACCUEILLIR GE APPLIANCES CHEZ VOUS.

Que vous ayez grandi avec GE Appliances ou qu'il s'agisse de votre première acquisition, nous sommes heureux de vous accueillir dans notre famille.

Nous sommes fiers du savoir-faire, de l'innovation et de l'esthétique qui composent chaque appareil GE Appliances, et nous pensons que vous le serez aussi. Dans cette optique, nous vous rappelons que l'enregistrement de votre électroménager vous assure la communication de renseignements importants sur le produit et la garantie lorsque vous en avez besoin.

Enregistrez votre électroménager GE en ligne dès maintenant. Des sites Web et des numéros de téléphone utiles figurent dans la section Soutien au consommateur de ce manuel d'utilisation.

Vous pouvez aussi poster la fiche de garantie pré-imprimée incluse dans l'emballage.



GE APPLIANCES

INSTRUCTIONS IMPORTANTES DE SÉCURITÉ. LISEZ TOUTES LES INSTRUCTIONS AVANT D'UTILISER VOTRE RÉFRIGÉRATEUR.

⚠ AVERTISSEMENT

Pour réduire le risque d'incendie, d'explosion, de choc électrique ou de blessures lorsque vous utilisez votre réfrigérateur, veuillez suivre ces consignes de sécurité :

- Ce réfrigérateur doit être correctement installé conformément aux instructions d'installation avant toute utilisation.
- Débranchez la source d'alimentation électrique principale du réfrigérateur derrière l'appareil, retirez le fusible du circuit du réfrigérateur ou déclenchez le disjoncteur avant d'effectuer des réparations ou le nettoyage.
Remarque : L'alimentation du réfrigérateur ne peut être déconnectée par aucune des fonctions sur le panneau de commande.
Remarque : Les réparations doivent être effectuées par un professionnel qualifié.
- Remettez toutes les pièces et panneaux en place avant d'utiliser l'appareil.
- Abstenez-vous d'entreposer ou d'utiliser de l'essence ou d'autres vapeurs et liquides inflammables aux alentours de cet électroménager ou d'autres appareils.
- N'entreposez pas dans cet électroménager des substances explosives telles que des bombes aérosols qui contiennent un gaz propulseur.
- N'utilisez pas un cordon de rallonge. Utilisez seulement des fils d'alimentation de pleine longueur et branchés directement entre une source de tension continue ou du panneau de distribution vers le réfrigérateur.
- Afin de prévenir les risques d'asphyxie et d'enfermement des enfants, enlevez les portes des compartiments réfrigérateur et congélateur avant de mettre le réfrigérateur au rebut ou d'en cesser l'usage.
- Afin de prévenir les accidents graves ou la mort, les enfants ne doivent pas se tenir ni jouer dans ou sur l'électroménager.
- Les enfants et les personnes dont les capacités sont réduites sur le plan physique, sensoriel ou mental, ou qui manquent d'expérience ou de connaissances, peuvent utiliser cet électroménager seulement si elles sont surveillées ou ont reçues des consignes de sécurité sur son usage et les risques y sont associés.
- Cet électroménager est conçu pour une utilisation domestique et applications similaires : salle du personnel dans une usine, un bureau ou d'autres lieux de travail; maison de ferme; clients dans un hôtel, un motel, un gîte touristique et d'autres lieux résidentiels; approvisionnement et applications similaires non reliées au commerce de détail.
- N'appliquez pas de nettoyeurs corrosifs sur le réfrigérateur. Certains nettoyeurs endommagent le plastique et peuvent ainsi causer le détachement inopiné de pièces telles que porte ou poignées de porte. Voyez la section Entretien et nettoyage pour des instructions détaillées.

⚠ ATTENTION

Pour réduire le risque de blessures lorsque vous utilisez votre réfrigérateur, veuillez suivre ces consignes de sécurité.

- Ne nettoyez pas les tablettes ou les couvercles en verre avec de l'eau tiède quand ceux-ci sont froids. Les tablettes et couvercles en verre peuvent se casser s'ils sont exposés à des changements soudains de température ou si vous les cognez ou les faites tomber. Le verre trempé est conçu pour se briser en petits morceaux en cas de casse.
- Éloignez les doigts des parties du congélateur où l'on peut facilement se pincer : les espaces entre les portes, et entre les portes et les placards sont toujours étroits. Soyez prudent lorsque vous fermez les portes en présence d'enfants.
- Ne touchez pas les surfaces froides du congélateur lorsque vous avez les mains humides ou mouillées. La peau risque d'adhérer à ces surfaces extrêmement froides.
- Ne recongelez pas les aliments surgelés qui ont complètement dégelé.

LISEZ ET CONSERVEZ CES INSTRUCTIONS

INSTRUCTIONS IMPORTANTES DE SÉCURITÉ. LISEZ TOUTES LES INSTRUCTIONS AVANT D'UTILISER VOTRE RÉFRIGÉRATEUR.

INSTALLATION

⚠ AVERTISSEMENT



RISQUE D'EXPLOSION

Conservez les matériaux et vapeurs inflammables tels que l'essence à l'écart de votre réfrigérateur. Une explosion, un incendie voire la mort pourrait en résulter.

BRANCHEMENTS ÉLECTRIQUES

⚠ AVERTISSEMENT



RISQUE DE CHOC ÉLECTRIQUE

La désobéissance à ces instructions représente un risque d'incendie, d'électrocution et de mortalité.

Pour des raisons de sécurité, cet appareil doit être correctement mis à la terre.

Une source d'alimentation électrique avec mise à la terre ayant une intensité 12 VCC et un fusible de 15 à 20 A sont requis.

Ceci permet une meilleure performance et prévient la surcharge des circuits de câblage du véhicule récréatif pouvant causer un incendie et une surchauffe des câbles.

Ne branchez pas le réfrigérateur à des circuits de tension alternative ou à la sortie CA d'un onduleur.

Le réfrigérateur doit toujours être branché sur un circuit électrique distinct relié

directement à la source de tension continue principale ou au panneau de distribution.

Cessez immédiatement l'usage si le câble d'alimentation électrique principale est endommagé. Un câble d'alimentation endommagé doit être réparé par un réparateur professionnel et qualifié.

Lorsque vous éloignez votre réfrigérateur du mur, faites attention à ne pas le faire rouler sur le cordon d'alimentation afin de ne pas l'endommager.

MISE AU REBUT APPROPRIÉE DE VOTRE ANCIEN RÉFRIGÉRATEUR

⚠ AVERTISSEMENT

RISQUE DE SUFFOQUER OU D'Y ÊTRE EMPRISONNÉ

Le non-respect de ces instructions d'élimination peut entraîner la mort ou des blessures graves.

IMPORTANT: Les enfants pris au piège ou morts d'asphyxie sont toujours d'actualité.

Les réfrigérateurs et congélateurs abandonnés sont toujours aussi dangereux, même si on n'attend que « quelques jours » pour s'en débarrasser. Si vous ne gardez pas votre ancien réfrigérateur ou congélateur, veuillez suivre les directives ci-dessous afin de prévenir les accidents.

Avant de vous débarrasser de votre ancien appareil :

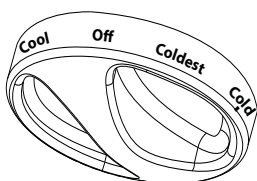
- Démontez les portes du compartiment de réfrigération et du compartiment de congélation.
- Laissez les clayettes en place afin d'empêcher les enfants de grimper à l'intérieur.

Mise au rebut des produits réfrigérants et en mousse :

Mettez l'électroménager au rebut conformément à la réglementation fédérale et locale. Le inflammable matériel isolant utilisés nécessitent des procédures de mise au rebut spéciales. Communiquez avec les autorités locales pour connaître la façon de mettre votre électroménager au rebut qui soit respectueuse de l'environnement.

LISEZ ET CONSERVEZ CES INSTRUCTIONS

À propos de la commande du réfrigérateur



Réglage des commandes

La commande de température maintient la température dans le réfrigérateur. Un réglage sur COOL correspond à la température la plus chaude et sur COLDEST, la plus froide. Réglez la commande sur COLD.

Allouez 24 heures pour que le réfrigérateur atteigne la température désirée. Si vous souhaitez une température plus froide ou plus chaude, tournez le cadran à la fois. Mettre la commande à OFF (arrêt) met fin au refroidissement mais ne coupe pas l'alimentation électrique au réfrigérateur. Un réglage à une température trop froide peut causer la formation de givre dans le réfrigérateur selon la température de la pièce.

Après un nouveau réglage, allouez 24 heures pour atteindre la température choisie.

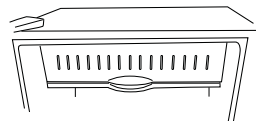
Composants

Clayettes

Pour retirer une clayette, soulevez l'arrière légèrement puis tirez vers l'avant. Tous les modèles sont dotés de clayettes multipositions qui peuvent être placées à différents niveaux.

Compartiment des plateaux à glaçons

Ce compartiment est destiné à la production de cubes de glace et au rangement à court terme (quelques jours au maximum) de certains aliments précongelés lorsqu'en contact avec l'évaporateur (surface froide dans le compartiment.)



Balconnets de porte

Les balconnets de porte procurent un rangement pratique pour les articles fréquemment utilisés. Certains modèles sont dotés de portes suffisamment profondes pour y ranger de grosses bouteilles.

Entretien et nettoyage

Directives pour nettoyer les surfaces extérieures, les poignées de porte et les garnitures

UTILISER	NE PAS UTILISER
Linge ou éponge doux et propres	Linges abrasifs, éponges à récureur, tampons à récureur ou en laine d'acier.
Détergent doux dans eau chaude. Nettoyants pour acier inoxydable approuvés; visitez la boutique de pièces Café Appliances pour des nettoyeurs pour acier inoxydable approuvés : GEAppliances.ca/en/products/parts-filters-accessories ou composer le 1.800.661.1616 On peut utiliser des nettoyeurs à base d'acide oxalique tels que Bar Keepers Friend Soft Cleanser™ pour éliminer la rouille de surface, le ternissement et les petites taches.	Poudres ou vaporisateurs abrasifs. Vaporisateurs pour fenêtres ou ammoniac. Nettoyants à base d'agrumes ou de plantes. Nettoyants acides ou à base de vinaigre. Nettoyants pour le four. Nettoyants qui contiennent de l'acétone (propanone). Tout nettoyeur avec AVERTISSEMENT relatif au contact du plastique.

REMARQUE : Ne laissez PAS un nettoyeur pour acier inoxydable venir au contact de pièces en plastique telles que garnitures, quincaillerie de poignée ou doublures. Si un contact non intentionnel d'un nettoyeur avec une pièce en plastique survient, nettoyez la pièce en plastique avec une éponge et un détergent doux mélangé dans l'eau chaude.

Nettoyage de l'intérieur

Pour aider à empêcher les odeurs, laissez une boîte ouverte de bicarbonate de soude dans les compartiments réfrigération et congélation.

Mettez le réfrigérateur hors tension avant de le nettoyer.

Débranchez soit les câbles d'alimentation de courant continu principale derrière l'appareil ou retirez le fusible du circuit ou déclenchez le disjoncteur de tension continue du panneau de distribution. Si ce n'est pas pratique, enlevez toute humidité au moyen d'une éponge ou d'un chiffon pour nettoyer autour des commutateurs, des lumières ou des réglages.

Utilisez une solution d'eau chaude et de bicarbonate de soude 15 ml (soit une cuillère à soupe environ) de bicarbonate de soude dans 1 litre (soit une pinte) d'eau). Cette solution nettoie tout en neutralisant les odeurs. Rincez et séchez en essuyant.

Les autres pièces du réfrigérateur — incluant les joints de porte, les bacs à fruits et légumes et toutes les pièces en plastique — peuvent être nettoyées de la même manière.

Après avoir nettoyé les joints de porte, appliquez une mince couche de vaseline sur les joints du côté charnières afin de les empêcher de coller et de se déformer. N'utilisez pas de nettoyeurs en poudre ni d'autres nettoyeurs abrasifs.

ATTENTION

Ne nettoyez pas les tablettes ou couvercles en verre avec de l'eau chaude lorsqu'ils sont froids. Les tablettes et couvercles en verre peuvent se briser s'ils sont exposés à une variation de température soudaine, ou soumis à un impact s'ils sont heurtés ou échappés. S'il se brise, le verre trempé est conçu pour se fracturer en un grand nombre de petits éclats.

Ne lavez aucune pièce en plastique du réfrigérateur au lave-vaisselle.

Entretien et nettoyage

Remplacement de l'ampoule DEL

⚠ AVERTISSEMENT

NE PAS changer soi-même la lampe à DEL, mais contacter le service après-vente pour la remplacer. Le non-respect de cet avertissement peut provoquer des blessures ou la mort par choc électrique.

Dégivrage

Procédez au dégivrage dès qu'une épaisseur de givre de 1/4 po (6 mm) se forme sur la paroi du compartiment des plateaux à glaçons. **N'utilisez jamais un instrument coupant ou métallique pour dégager le givre car cela pourrait endommager les serpentins de refroidissement.** (Un serpentин percé causera des problèmes importants et annulera la garantie.) Nous recommandons d'utiliser un grattoir en plastique. N'utilisez aucun appareil électrique pour dégivrer votre réfrigérateur.

Pour dégivrer :

- Retirez les aliments et les plateaux du compartiment des plateaux à glaçons.
- Tournez le cadran de la commande de température à la position **OFF** (arrêt).

En général, le dégivrage prend quelques heures. Pour procéder plus rapidement, gardez la porte ouverte. Vous pouvez aussi verser de l'eau modérément chaude (non bouillante) sur la zone givrée pour accélérer le processus. **N'utilisez pas d'eau bouillante** car elle peut endommager les pièces en plastique.

Après le dégivrage :

- Videz l'eau du plateau de dégivrage ou du récipient placé sous le compartiment des plateaux à glaçons. Lavez le plateau ou le récipient à l'eau modérément chaude.
- Essuyez le compartiment des plateaux à glaçons avec un linge humide.
- Tournez la commande de température sur le réglage désiré et remettez les aliments et les plateaux dans le réfrigérateur.

NOTE : Si l'accumulation de givre est très épaisse, l'ouverture ou la fermeture de la porte du compartiment peut être entravée. Ne forcez pas le mouvement; après le dégivrage, la porte se maniera facilement.

Préparation pour l'entreposage

En vue d'une longue période d'entreposage ou d'absence sans utiliser le réfrigérateur, retirez les aliments et débranchez soit les câbles d'alimentation en courant continu principale derrière l'appareil, retirez le fusible du circuit ou déclenchez le disjoncteur de tension continue du panneau de distribution. Déplacez la commande à « OFF » (éteint) et nettoyez l'intérieur avec une solution de 15 ml (1 c. à table) de bicarbonate de soude mélangé à 1 litre (4 tasses) d'eau. Laissez la porte ouverte.

Préparation de déménagement

Retirez les aliments, retirez le fusible du circuit du réfrigérateur ou déclenchez le disjoncteur de tension continue du panneau de distribution, débranchez les câbles d'alimentation de courant continu principale derrière l'appareil. Immobilisez tous les articles amovibles, comme les tablettes et les tiroirs, en apposant du ruban pour les maintenir fermement en place et prévenir le bris.

Assurez-vous que le réfrigérateur restera en position verticale pendant le déplacement.

Instructions d'installation

Veuillez lire toutes les directives attentivement.

Emplacement et plage de fonctionnement du réfrigérateur

- N'installez pas le réfrigérateur dans un endroit exposé à l'eau (pluie, etc.) ou directement aux rayons solaires.
- Installez le réfrigérateur sur un plancher suffisamment solide pour le supporter à pleine charge.
- Ce réfrigérateur est conçu pour fonctionner correctement dans une plage de températures ambiantes allant de 55 °F (12,7 °C) à 110 °F (43 °C). Utiliser le réfrigérateur à des températures ambiantes hors de cette plage peut causer un refroidissement incorrect.

Dégagements

Prévoyez les dégagements suivants pour faciliter l'installation, la bonne circulation d'air et les raccordements de plomberie et d'électricité.

Côtés 0 mm (0")*

Dessus 0 mm (0")

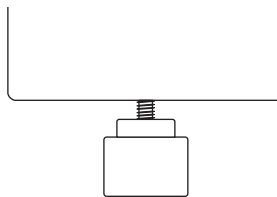
Arrière 0 mm (0")

*0.5 po (13 mm) pour le dégagement côté charnière.

PIEDS DE NIVELLEMENT

Les pieds ajustables dans les coins avant du réfrigérateur doivent être ajustés de façon que le réfrigérateur repose solidement contre le plancher; il faut aussi que l'avant soit légèrement plus haut afin que les portes se ferment aisément lorsqu'elles sont ouvertes à mi-course.

Pour ajuster les pieds, tournez-les dans le sens des aiguilles d'une montre pour abaisser le réfrigérateur, et dans le sens inverse pour le soulever.



Tournez dans le sens des
aiguilles pour abaisser, dans
le sens inverse pour soulever.

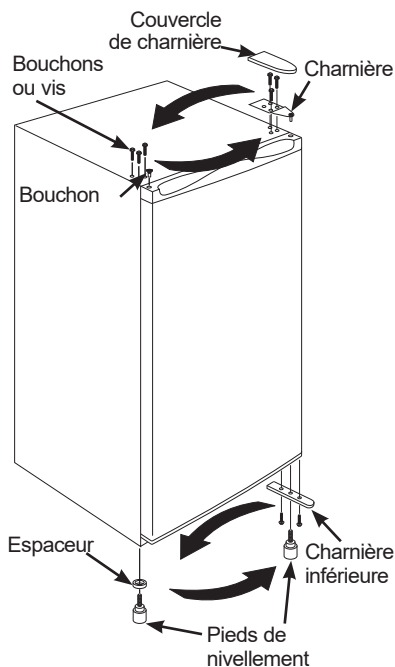
Instructions d'installation

Permutation des portes

1. Enlevez le petit bouchon du côté gauche de la moulure de porte supérieure.
2. Enlevez les 2 bouchons ou vis du côté gauche du dessus de la carrosserie.
3. Retirez la vis du couvercle de charnière, puis enlevez le couvercle en le soulevant par son bord avant.
4. Enlevez 2 vis de la charnière supérieure.
5. Soulevez la porte puis dégagez-la de la charnière inférieure (côté droit).
6. Retirez la vis du couvercle de charnière, puis enlevez le couvercle en le soulevant par son bord avant.
7. Enlevez les vis de la charnière inférieure (côté droit) et les pieds de nivellement, de même que la butée de porte en plastique. Déplacez la charnière inférieure et la butée de porte sur le côté gauche puis fixez avec les vis. Reposez les pieds de nivellement.

IMPORTANT : Le pied gauche est muni d'un espaceur ou l'équivalent qui doit être déplacé du côté droit du pied de nivellement lorsque l'ouverture de la porte est inversée.

8. Vissez le pied de nivellement droit (avec l'espaceur) à sa position du côté droit.
9. Placez la porte sur la charnière inférieure gauche. En vous assurant que le joint d'étanchéité magnétique maintient la porte en place, fixez la charnière supérieure avec les vis.
10. Assurez-vous que la porte est alignée sur la carrosserie du réfrigérateur avant de poursuivre.
11. Remplacez le couvercle de charnière sur le dessus de la charnière.
12. Insérez le bouchon dans le trou du côté droit de la moulure de porte.
13. Placez les 3 (2 sur certains modèles) bouchons sur le côté droit dans le haut de la carrosserie.



Instructions d'installation

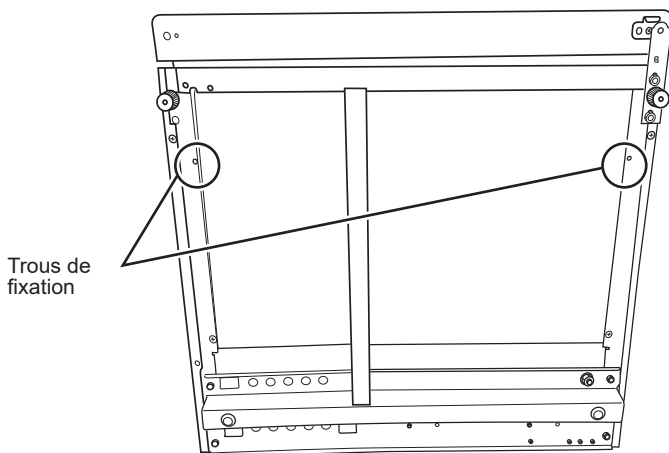
Supports de plancher (non fournis)

⚠ AVERTISSEMENT RISQUE CONCERNANT LE POIDS EXCESSIF

Deux personnes ou plus déplaceront et positionneront le réfrigérateur en vue de l'installation des supports de plancher. Une installation effectuée par une seule personne risque de causer des blessures au dos et d'autres blessures.

Certaines installations d'appareils pour véhicule récréatif requièrent l'utilisation de supports de plancher ou muraux pour fixer l'appareil à l'armoire adjacente pour éviter tout mouvement pendant le déplacement du véhicule récréatif. Une surface sous le réfrigérateur permet de fixer les supports de plancher (non fournis).

- Pour installer les supports de plancher au réfrigérateur, déposez le réfrigérateur sur son dos et repérez les trous de fixation des supports, comme montré, sous le réfrigérateur.



- Fixez un support de chaque côté à ces endroits en utilisant des vis à tôle (non fournies). Nous recommandons d'utiliser des vis à tôle no 8 - 16 x 13 mm (1/2 po).
- Relevez le réfrigérateur à la verticale. Attendez au moins quatre (4) heures après le redressement du réfrigérateur avant de terminer les raccords électriques.

Instructions d'installation

Raccords électriques

⚠ AVERTISSEMENT



RISQUE DE CHOC ÉLECTRIQUE

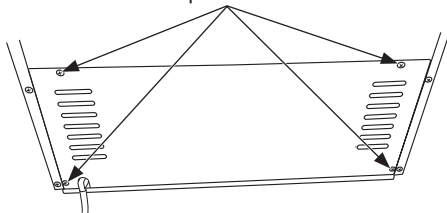
La désobéissance à ces instructions représente un risque d'incendie, d'électrocution et de mortalité.

- De longs câbles d'alimentation en tension continue combinés à un câblage de faible calibre représentent un risque de baisse de tension excessive au raccord du réfrigérateur, une réduction de la performance de refroidissement du réfrigérateur et être la cause d'une surchauffe conduisant à un incendie. Le calibre de câble d'alimentation ci-dessous est recommandé.

Calibre américain du câble d'alimentation	Longueur maximum du câble d'alimentation
12 AWG	6,1 m (20 pi)
10 AWG	10,7 m (35 pi)
8 AWG	15,2 m (50 pi)

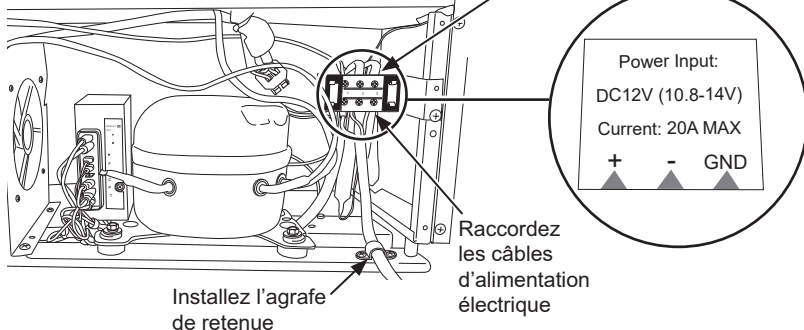
- Avant de commencer l'installation, mettez l'alimentation électrique du réfrigérateur hors tension en retirant le fusible du circuit du réfrigérateur ou en déclenchant le disjoncteur de tension continue du panneau de distribution.
- Tournez la commande à la position « OFF » (éteint).

Panneau arrière de l'appareil
Emplacements de vis



- Repérez et retirez les quatre (4) vis du panneau inférieur derrière l'appareil comme indiqué en utilisant un tournevis à tête cruciforme.
- Repérez le raccord d'alimentation électrique à la plaque à bornes sur le côté droit du compartiment du compresseur.

Raccord d'alimentation électrique à la plaque à bornes



Instructions d'installation

Raccord électrique (suite)

- Déclenchez le couvercle de plastique transparent de la plaque à bornes pour accéder aux vis de bornes. Desserrez les vis de la borne d'alimentation électrique sur le côté inférieur de la plaque avec un tournevis à tête cruciforme. Raccordez les câbles d'alimentation aux bornes de polarité et de mise à la terre appropriées comme indiqué sur l'étiquette : raccordez le câble positif à la borne marquée d'un « + », le câble négatif à la borne marquée d'un « - » et à la borne de mise à la terre marquée « GND ». Serrez les vis de la plaque à bornes et réinstallez le couvercle en plastique transparent.
- Une agrafe de retenue doit être installée aux câbles d'alimentation électrique. Parmi le choix de fixations fournies dans le sac du manuel d'utilisation, choisissez l'agrafe de dimension appropriée et adaptée aux câbles d'alimentation électrique utilisés.



- Utilisez aussi la vis fournie dans le sac du manuel d'utilisation pour monter l'agrafe de retenue à l'endroit indiqué au bas du rail du compartiment du compresseur. Les câbles doivent être complètement ajustés après l'installation de l'agrafe et les câbles tendus ne doivent pas se déplacer ou glisser sur l'agrafe.
- Réinstallez le panneau arrière de l'appareil et acheminez les câbles d'alimentation par la fente située sur le côté inférieur droit du panneau.
- Déplacez l'appareil vers son emplacement final en prenant soin de ne pas le faire rouler sur le cordon d'alimentation afin de ne pas l'endommager.
- Une fois l'installation terminée, mettez l'appareil en marche en réinstallant le fusible du circuit du réfrigérateur ou en déclenchant de disjoncteur d'alimentation de tension continue du panneau de distribution. Remettez la commande à la position « COLD » (froid).

Avant d'appeler un réparateur...

Conseils de dépannage

Économisez du temps et de l'argent! Consultez d'abord les tableaux qui suivent et vous pourrez peut-être éviter de faire appel à un réparateur.

Problème	Causes possibles	Correctifs
Le réfrigérateur ne fonctionne pas	Commande à la position OFF (arrêt).	Déplacez la commande sur un réglage de température.
	Le fusible est grillé/le disjoncteur est déclenché.	Remplacez le fusible ou réarmez le disjoncteur.
Vibration ou bruit métallique (une légère vibration est normale)	Il faut ajuster les pieds de nivellement avant.	Voir la section Pieds de nivellement.
Le moteur fonctionne pendant de longues périodes	Ceci est normal lors de la première mise en marche du réfrigérateur.	Attendez 24 heures pour que le réfrigérateur refroidisse complètement.
	Une grande quantité d'aliments a été mise au réfrigérateur.	C'est normal.
	Porte laissée ouverte.	Vérifiez qu'il n'y a pas un paquet qui empêche la porte de fermer.
	Temps chaud ou ouverture fréquente des portes.	C'est normal.
	Les commandes de température ont été réglées à la température la plus froide.	Consultez Les commandes.
Température trop élevée dans le réfrigérateur	La commande de température n'a pas été réglée à une température assez basse.	Consultez Les commandes.
	Temps chaud ou ouverture fréquente des portes.	Abaissez la commande de température d'une position Consultez Les commandes.
	Porte laissée ouverte.	Vérifiez qu'il n'y a pas un paquet qui empêche la porte de fermer.
Odeur dans le réfrigérateur	Des aliments ont transmis leur odeur au réfrigérateur.	Les aliments à odeur forte doivent être emballés hermétiquement.
		Gardez une boîte ouverte de bicarbonate de soude dans le réfrigérateur.
	L'intérieur doit être nettoyé.	Voir la section Entretien et nettoyage.
	Le plateau de dégivrage doit être nettoyé.	Voir la section Entretien et nettoyage.
De la condensation s'accumule à l'extérieur	Cela n'est pas inhabituel pendant les périodes de forte humidité.	Essuyez bien la surface extérieure.
De la condensation s'accumule à l'intérieur (par temps humide, l'ouverture des portes laisse entrer de l'humidité)	Les portes sont ouvertes trop fréquemment ou pendant trop longtemps.	

Notes

Garantie limitée du réfrigérateur

Pour les clients des États-Unis, toutes les réparations en vertu de la garantie sont fournies par nos Centre de Service d'Usine ou par un technicien autorisé Customer Care®. Pour prévoir une réparation, consultez notre site **GEAppliances.com** ou appelez le 800.GE.CARE5 (800.432.2737). Veuillez avoir votre numéro de série et votre numéro de modèle à portée de main lorsque vous appelez pour obtenir un service. Au Canada, appelez le 800.561.3344.

Agrafez votre facture ici.
Pour bénéficier du service de réparation sous garantie, une preuve de la date d'achat initial est nécessaire.

Pendant la période de : **GE Appliances remplacera**

Un An

A compter de la date d'achat initial

Toute pièce du réfrigérateur qui s'avère défectueuse en raison d'un défaut de matériau ou de fabrication. Pendant la validité de la présente garantie limitée d'un an, GE Appliances fournira également gratuitement la main d'oeuvre et le service pour réparer la pièce défectueuse.

Ce qui n'est pas couvert :

- Les déplacements à votre domicile pour vous expliquer l'utilisation de ce produit
- Une installation, livraison ou maintenance défectueuse.
- Une panne du produit par abus d'utilisation, par mauvaise utilisation, par modification ou s'il a été utilisé dans un but autre que celui pour lequel il a été fabriqué.
- Détérioration des aliments.
- Le remplacement des fusibles ou le réenclenchement du disjoncteur du domicile.
- Les dommages causés après la livraison.
- Le remplacement de la cartouche filtrante, si incluse, à cause d'une pression d'eau en dehors de la gamme de fonctionnement recommandée ou à cause d'une concentration excessive de sédiments dans l'eau d'alimentation.
- Le remplacement des ampoules, si incluses, ou la cartouche filtrante, si incluse, et dans des conditions autres que celles susmentionnées.
- Tout dommage causé par accident, incendie, inondation ou une catastrophe naturelle.
- Tout dommage fortuit ou indirect causé par des défauts éventuels de cet appareil.
- Le service s'il est impossible d'avoir accès au produit.
- Tout dommage au fini de l'appareil doit être signalé auprès du magasin où a été effectué l'achat dans les 48 heures suivant la livraison de l'appareil.
- Les produits n'étant pas défectueux, brisés ou qui fonctionnent selon la description du manuel du propriétaire.

EXCLUSION DES GARANTIES TACITES - Votre recours exclusif est l'échange du produit suivant les modalités de la Garantie Limitée. Toutes garanties tacites, y compris les garanties de valeurs marchandes ou d'adéquation à des fins particulières, sont limitées à une durée d'un an ou à la durée la plus courte autorisée par la loi.

Pour les clients des États-Unis : Cette garantie limitée est étendue à l'acheteur d'origine et aux propriétaires suivants pour tout produit acheté pour une utilisation domestique aux États-Unis. Si le produit est installé dans une région où ne se trouve aucun réparateur autorisé GE Appliances, vous devrez peut-être assumer les frais de transport ou apporter l'appareil à un centre de service autorisé GE Appliances. En Alaska, cette garantie limitée exclut le coût d'expédition ou de dépannage à votre domicile.

Certains états n'acceptent pas d'exclusion ou de limites aux dommages indirects consécutifs. Certains droits particuliers vous sont dévolus en vertu de la présente garantie limitée et peuvent s'accompagner d'autres droits qui varient selon votre lieu de résidence. Pour connaître vos droits juridiques, veuillez consulter le bureau local ou le bureau d'état des affaires aux consommateurs ou le Procureur Général de votre état.

Garant : États-Unis : GE Appliances, a Haier company
Louisville, KY 40225

Pour les clients des Canada: Cette garantie limitée est étendue à l'acheteur d'origine et aux propriétaires suivants pour tout produit acheté aux Canada pour une utilisation domestique au Canada. Le service à domicile en vertu de la garantie sera fourni dans les régions où il est disponible et où Mabe estime raisonnable de le fournir.

Garant Canada : MC Commercial, Burlington, Ontario, L7R 5B6

Soutien au consommateur

Site Web de GE Appliances

Vous avez une question ou vous avez besoin d'aide pour votre appareil électroménager? Visitez le site Web de GE Appliances 24 heures par jour, tous les jours de l'année! Vous pouvez aussi y trouver d'autres formidables produits GE Appliances et tirer avantage de tous nos services d'assistance en ligne. Aux États-Unis : GEAppliances.com
Au Canada : GEAppliances.ca

Enregistrez votre électroménager

Enregistrez votre nouvel appareil en ligne au moment qui vous convient le mieux! L'enregistrement de votre produit dans les délais prescrits permet une meilleure communication et un service rapide, selon les modalités de votre garantie, si besoin est. Vous pouvez également envoyer par courrier la carte d'enregistrement pré-imprimée qui se trouve dans l'emballage de votre appareil.

Aux États-Unis : GEAppliances.com/register

Au Canada : Prodsupport.mabe.ca/crm/Products/ProductRegistration.aspx

Service de réparation

Un service de réparation expert GE Appliances se trouve à quelques pas de chez vous. Rendez-vous sur notre site et programmez, à votre convenance, une visite de réparation à n'importe quel jour de l'année.

Aux États-Unis : GEAppliances.com/service ou composez le 800.432.2737 durant les heures normales de bureau.

Au Canada : GEAppliances.ca/en/support/service-request ou composez le 800.561.3344

Prolongation de garantie

Procurez-vous une prolongation de garantie GE Appliances et informez-vous des rabais spéciaux en vigueur pendant la durée de votre garantie. Vous pouvez vous la procurer en ligne en tout temps. Les services GE Appliances seront toujours disponibles après l'expiration de la garantie. Aux États-Unis :

GEAppliances.com/extended-warranty ou composez le 800.626.2224 durant les heures normales de bureau.

Au Canada : GEAppliances.ca/en/support/purchase-extended-warranty ou composez le 800.290.9029

Connectivité à distance

Pour de l'assistance concernant la connectivité au réseau sans fil (pour les modèles équipés de cette fonction), visitez notre site Web au GEAppliances.com/connect ou composez le 800.220.6899 aux États-Unis seulement.

Pièces et accessoires

Les personnes ayant les compétences requises pour réparer elles-mêmes leurs appareils peuvent recevoir directement à la maison des pièces ou accessoires (les cartes VISA, MasterCard et Discover sont acceptées). Commandez en ligne 24 heures par jour.

Aux États-Unis : GEApplianceparts.com ou par téléphone au 877.959.8688 durant les heures normales de bureau.

Les instructions contenues dans le présent manuel comportent des procédures que tout utilisateur peut effectuer. Les autres types de réparation doivent généralement être confiés à un technicien qualifié. Usez de prudence : une réparation ou un entretien mal effectués peuvent rendre l'utilisation de l'appareil dangereuse.

Les consommateurs au Canada doivent consulter les pages jaunes pour connaître le centre de service Mabe le plus proche, visiter notre site Web au GEAppliances.ca/en/products/parts-filters-accessories ou composer le 1.800.661.1616.

Communiquez avec nous

Si vous n'êtes pas satisfait du service après-vente de GE Appliances, communiquez avec nous depuis notre site Web en fournissant tous les détails dont votre numéro de téléphone, ou écrivez à :

Aux États-Unis : General Manager, Customer Relations | GE Appliances, Appliance Park | Louisville, KY 40225

GEAppliances.com/contact

Au Canada : Director, Consumer Relations, Mabe Canada Inc. | Suite 310, 1 Factory Lane | Moncton, N.B. E1C 9M3
GEAppliances.ca/en/contact-us



REFRIGERADORES

INFORMACIÓN DE SEGURIDAD 3

INSTRUCCIONES DE FUNCIONAMIENTO

Configuraciones de los Controles 5
Funciones del Refrigerador .. 5

CUIDADO Y LIMPIEZA .. 6

INSTRUCCIONES DE INSTALACIÓN 8

CONSEJOS PARA LA SOLUCIÓN DE PROBLEMA13

GARANTÍA LIMITADA ..15

SOPORTE AL CLIENTE ..16

MANUAL DEL PROPIETARIO E INSTALACIÓN

Modelos de GCV06

ESPAÑOL

Escriba los números de modelo y de serie aquí:

Nº de Modelo _____

Nº de Serie _____

Busque estos números en una etiqueta del lado izquierdo, cerca de la parte intermedia del compartimiento del refrigerador.

GRACIAS POR HACER QUE GE APPLIANCES SEA PARTE DE SU HOGAR.

Ya sea que haya crecido usando GE Appliances, o que ésta es su primera vez, nos complace tenerlo en la familia.

Sentimos orgullo por el nivel de arte, innovación y diseño de cada uno de los electrodomésticos de GE Appliances, y creemos que usted también.

Entre otras cosas, el registro de su electrodoméstico asegura que podamos entregarle información importante del producto y detalles de la garantía cuando los necesite.

Registre su electrodoméstico GE ahora a través de Internet. Sitios Web y números telefónicos útiles están disponibles en la sección de Soporte para el Consumidor de este Manual del Propietario. También puede enviar una carta en la tarjeta de inscripción preimpresa que se incluye con el material embalado.



GE APPLIANCES

INFORMACIÓN IMPORTANTE DE SEGURIDAD

LEA TODAS LAS INSTRUCCIONES ANTES DE USAR

⚠ ADVERTENCIA A fin de reducir el riesgo de incendio, explosión, descargas eléctricas o lesiones al usar su refrigerador, siga estas precauciones básicas de seguridad:

- Este refrigerador se deberá instalar y ubicar adecuadamente de acuerdo con las Instrucciones de Instalación antes de ser usado.
- Desconecte el refrigerador del suministro de energía principal desde la parte trasera de la unidad, retire el fusible del circuito del refrigerador, o apague el disyuntor antes de realizar reparaciones o limpiezas.
NOTA: La corriente que va al refrigerador no puede ser desconectada por ninguna configuración del panel de control.
NOTA: Las reparaciones deberán ser realizadas por un Profesional del Servicio Técnico calificado.
- Reemplace todas las piezas y paneles antes del uso.
- No guarde ni use gasolina u otros vapores inflamables y líquidos cerca de este u otros electrodomésticos.
- No guarde sustancias explosivas tales como latas de aerosoles con propelentes inflamables en este electrodoméstico.
- No use un prolongador. Use sólo cables de suministro continuo directamente entre la fuente de voltaje de CC o el panel de distribución y el refrigerador.
- A fin de evitar riesgos de que los niños sufran asfixia o queden atrapados, retire las puertas de comidas frescas y del freezer de cualquier refrigerador antes de deshacerse o dejar de usar el mismo.
- Para evitar lesiones graves o la muerte, los niños no se deberán parar sobre ni jugar en o con el electrodoméstico.
- Los niños y las personas con capacidad física, sensorial o mental reducida o con falta de experiencia y conocimiento podrán usar este electrodoméstico sólo si son supervisados o les fueron dadas instrucciones sobre un uso seguro y entienden los riesgos involucrados.
- Este electrodoméstico fue diseñado para uso hogareño y para aplicaciones similares tales como: áreas de personal de cocina en tiendas, oficinas y otros espacios laborales; casas de campo; por clientes en hoteles, moteles, hostales y otros espacios residenciales, catering y aplicaciones no minoristas similares.
- No aplique limpiadores ásperos sobre el refrigerador. Ciertos limpiadores dañarán el plástico, lo cual podrá hacer que ciertas piezas tales como la puerta o las manijas de las puertas se separen de forma inesperada. Para acceder a instrucciones detalladas, lea la sección de Cuidado y Limpieza.

⚠ PRECAUCIÓN A fin de reducir el riesgo de lesiones al usar el refrigerador, siga estas precauciones básicas.

- No limpie estantes de vidrio ni tapas con agua caliente cuando estén fríos. Los estantes de vidrio y las tapas se pueden romper si son expuestos a cambios de temperatura repentinos o impactos, tales como sacudones o caídas. El vidrio templado está diseñado para destruirse en pequeñas piezas en caso de rotura.
- Mantenga los dedos fuera de los espacios de "riesgo de lastimaduras"; los despejes entre las puertas y entre las puertas y el gabinete son necesariamente pequeños. Tenga el cuidado de cerrar las puertas cuando los niños se encuentren en el área.
- No toque las superficies frías del compartimiento del freezer cuando las manos estén húmedas o mojadas, ya que la piel se podrá adherir a estas superficies extremadamente frías.
- No vuelva a congelar comidas que hayan estado totalmente congeladas en forma previa.

LEA Y GUARDE ESTAS INSTRUCCIONES

INFORMACIÓN IMPORTANTE DE SEGURIDAD LEA TODAS LAS INSTRUCCIONES ANTES DE USAR

INSTALACIÓN

⚠ ADVERTENCIA



RIESGO DE EXPLOSIÓN

Mantenga cualquier material y vapores inflamables, tales como gasolina, alejados del refrigerador. Si no se cumple con esto se podrá producir una explosión, incendio o la muerte.

CONEXIÓN DE LA ELECTRICIDAD

⚠ ADVERTENCIA



RIESGO DE DESCARGA ELÉCTRICA

Si no se siguen estas instrucciones se podrá producir a muerte, incendios o descargas eléctricas.

Para su seguridad personal, este electrodoméstico debe estar adecuadamente conectado a tierra.

Se requiere un suministro eléctrico con fusible y conexión a tierra de 12 voltios de CC y 15 -20 amperes. Esto brinda el mejor funcionamiento y además evita la sobrecarga de los circuitos del cableado RV, lo cual podría ocasionar riesgos de incendio debido al recalentamiento de cables.

No conecte el refrigerador a circuitos de voltaje de CA ni a la salida de CA del inversor.

El refrigerador siempre deberá estar conectado a su propia derivación eléctrica individual que conduzca directamente a la fuente principal de voltaje con CC o al panel de distribución.

De forma inmediata, interrumpa el uso si la línea de suministro de corriente fue dañada. Si la línea de suministro está dañada, deberá ser reparada por un profesional calificado del servicio técnico.

Al alejar el refrigerador de la pared, se deberá tener cuidado de que no ruede sobre ni dañe el cable de corriente.

FORMA ADECUADA DE DESCARTAR SU ANTIGUO REFRIGERADOR

⚠ ADVERTENCIA

PELIGRO DE SUFFOCATION Y ENTRAPMENT

El incumplimiento de estas instrucciones de eliminación puede causar la muerte o lesiones graves.

IMPORTANTE: Que un niño quede atrapado o que sufra una asfixia no son problemas del pasado. Los refrigeradores antiguos o abandonados aún son peligrosos, incluso aunque se conserven por "sólo unos pocos días". Si se deshará de su antiguo refrigerador, siga las siguientes instrucciones a fin de evitar accidentes.

Antes de descartar su antiguo aparato:

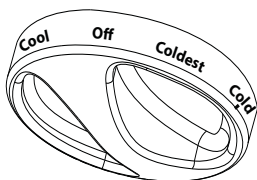
- Retire las puertas de comidas frescas y del freezer.
- Deje los estantes en su lugar de modo que los niños no puedan trepar dentro con facilidad.

Cómo Eliminar Refrigerantes y Gomaespumas:

Descarte el electrodoméstico de acuerdo con las Regulaciones Federales y Locales. El material aislante inflamable usados requieren procedimientos de descarte especiales. Comuníquese con las autoridades locales para descartar su electrodoméstico de forma ambientalmente segura.

LEA Y GUARDE ESTAS INSTRUCCIONES

Acerca del control del refrigerador



Configuraciones de los Controles

El control de temperatura mantiene la temperatura del refrigerador. Al ubicar el control en COOL se ajusta la configuración más caliente. Al ubicar el control en COLDEST se ajusta la configuración más fría. Configure el control en COLD.

Espera 24 horas hasta que el refrigerador alcance la temperatura deseada. Si desea una temperatura más fría o más caliente, mueva el dial de a una configuración por vez. Mover el control a OFF (Apagado) detiene el enfriamiento, pero no apaga el encendido del refrigerador. Configurar el control demasiado alto podría hacer que el refrigerador se congele, dependiendo de la temperatura del ambiente.

Luego de cambiar el control, espere 24 horas hasta que el refrigerador alcance la temperatura que configuró.

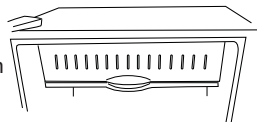
Funciones

Estantes

Para retirar un estante, levante la parte trasera suavemente y empuje hacia usted. Algunos modelos cuentan con estantes con posiciones múltiples, los cuales se pueden ubicar en diferentes niveles.

Compartimiento de la Bandeja de Hielo

Este compartimiento está diseñado para la producción de cubos de hielo y almacenamientos a corto plazo (unos pocos días como máximo) de algunas comidas comercialmente congeladas cuando tengan contacto con el evaporador (superficie fría en el compartimiento).



Estantes de la Puerta

Los estantes de la puerta brindan un nivel de almacenamiento conveniente para productos de uso frecuente. Algunos modelos cuentan con puertas con la profundidad suficiente como para guardar botellas grandes.

Cuidado y limpieza

Instrucciones para la Limpieza de Superficies Exteriores, Manijas de Puertas y Bordes

USE	NO USE
Telas suaves y limpias o esponjas	Telas abrasivas, esponjas de fregar, almohadillas de estropajo o de lana de acero
Detergente suave mezclado con agua caliente Limpiadores de acero inoxidable aprobados. Visite la tienda de piezas de Café Appliances para acceder a limpiadores de acero inoxidable aprobados: GEApplianceparts.com o de forma telefónica al 877.959.8688 Los limpiadores con ácido oxálico tales como Bar Keepers Friend Soft Cleanser™ podrán ser usados para eliminar el óxido, deslustres y pequeñas manchas de las superficies.	Polvos o rociadores abrasivos Rociadores de Ventana o Amoníaco Limpiadores a base de cítrico o aceite vegetal Limpiadores ácidos o a base de vinagre Limpiadores de horno Limpiadores que contengan acetona (propanona) Cualquier limpiador con ADVERTENCIAS sobre el contacto con el plástico

NOTA: NO permita que el limpiador de acero inoxidable entre en contacto con cualquier parte plástica tal como partes de bordes, materiales de manijas y cobertores. Si se produce un contacto no intencional de los limpiadores con las partes plásticas, limpie estas últimas con una esponja y un detergente suave mezclado con agua caliente.

Limpieza de la Parte Interior

Para ayudar a prevenir olores, deje una caja abierta de bicarbonato de sodio en los compartimentos de alimentos frescos y del congelador.

Corte la corriente del refrigerador antes de realizar la limpieza.

Desconecte los cables principales de suministro de corriente continua en la parte trasera de la unidad, retire el fusible del circuito del refrigerador o apague el disyuntor desde el panel de distribución de voltaje con CC. Si esto no resulta práctico, seque la humedad excesiva con una esponja o paño cuando limpie alrededor de los interruptores, luces o controles.

Utilice una solución de agua tibia con bicarbonato de sodio—alrededor de una cucharada (15 ml) de bicarbonato de sodio y un cuarto de galón (1 litro) de agua. Esta solución limpia y neutraliza los olores. Enjuague y seque con un paño.

Otras piezas del refrigerador—incluyendo juntas de las puertas, cajones para frutas y vegetales y todas las piezas plásticas—pueden limpiarse de la misma manera.

Después de limpiar las juntas de la puerta, aplique una fina capa de vaselina a las juntas sobre el lado de la bisagra. Esto ayuda a que las juntas no se peguen y que no se deformen. No utilice polvos limpiadores u otros limpiadores abrasivos.

▲ PRECAUCIÓN

No limpie estantes de vidrio ni tapas con agua caliente cuando estén fríos.

Los estantes de vidrio y las tapas se pueden romper si son expuestos a cambios de temperatura repentinos o impactos tales como sacudones o caídas. El vidrio templado está diseñado para destruirse en pequeñas piezas en caso de rotura.

No lave ninguna parte plástica del refrigerador en la lavadora de platos.

Cuidado y limpieza

Reemplazo de la Luz LED

⚠ ADVERTENCIA NO cambie usted mismo la luz LED; póngase en contacto con el servicio posventa para el reemplazo. No prestar atención a esta advertencia podría resultar en lesiones o la muerte a causa de un choque eléctrico.

Cómo Descongelar

Realice la descongelación cuando la escarcha en la pared del compartimiento de la bandeja de hielo llegue a tener 1/4" de grosor. **Nunca use un instrumento punteagudo o metálico para retirar la escarcha, ya que podrá dañar las bobinas de enfriamiento.** (Si una bobina de enfriamiento es perforada, esto ocasionará graves problemas y anulará la garantía). Recomendamos el uso de una espátula de plástico. No use ningún dispositivo eléctrico para descongelar su refrigerador.

Para descongelar:

- Retire las comidas y las bandejas de hielo del compartimiento de la bandeja de hielo.
- Configure el dial del control de temperatura en la posición OFF (Apagado).

La descongelación lleva normalmente algunas horas. Para descongelar con mayor rapidez, mantenga la puerta abierta. Además, verter agua tibia (no caliente) en la parte con escarcha podrá acelerar la descongelación. No use agua hirviendo - esto podrá dañar las partes plásticas.

Luego de descongelar:

- Vacíe el agua de la bandeja de goteo o de la olla ubicada debajo del compartimiento de la bandeja de hielo. Lave la bandeja o la olla con agua tibia.
- Limpie el compartimiento de la bandeja de hielo con una tela húmeda
- Gire el control de temperatura a la configuración deseada y regrese la comida y las bandejas de hielo al refrigerador.

NOTA: Si la acumulación de hielo es muy gruesa, esto podrá impedir que la puerta del compartimiento de la bandeja de hielo se cierre o abra completamente. No intente forzar su apertura; luego de descongelar, la puerta se abrirá y cerrará con facilidad.

Preparación para el Almacenamiento

En casos de almacenamiento prolongado o ausencias donde el refrigerador no será usado, retire la comida y desconecte los cables principales de suministro de corriente continua en la parte trasera de la unidad, o retire el fusible del circuito del refrigerador o apague el disyuntor desde el panel de distribución de voltaje de CC. Mueva el control a la posición OFF (Apagado), y limpie el interior con una solución de bicarbonato de sodio, con una relación de una cucharada sopera (15ml) de bicarbonato de sodio por un cuarto de galón (1 litro) de agua. Deje la puerta abierta.

Preparación para una Mudanza

Retire la comida, retire el fusible del circuito del refrigerador o apague el disyuntor desde el panel de distribución de voltaje de CC, y desconecte los cables principales de corriente continua en la parte trasera de la unidad. Asegure todos los ítems tales como estantes y cajones, pegando los mismos de forma segura en sus respectivos lugares a fin de evitar daños.

Asegúrese de que el refrigerador permanezca en una posición erguida durante el movimiento

Instrucciones de Instalación

Lea estas instrucciones en su totalidad y atentamente.

Ubicación del Refrigerador y Rango de Operación

- No instale el refrigerador en una ubicación expuesta al agua (lluvia, etc.) o en contacto directo con la luz solar.
- Instale el refrigerador en un piso lo suficientemente fuerte como para soportarlo completamente cargado.
- Este refrigerador fue diseñado para funcionar de forma apropiada a una temperatura ambiente desde 55°F (12.7°C) hasta 110°F (43°C). Utilizar el refrigerador en ambientes con temperaturas fuera de este rango hará que la refrigeración sea inadecuada.

Espacio Necesario

Deje el siguiente espacio para una fácil instalación y una adecuada circulación de aire.

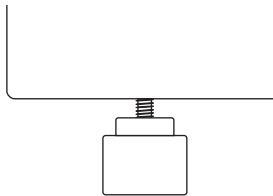
Costados	0 mm (0")*
Parte superior	0 mm (0")
Parte trasera	0 mm (0")

*0.5" (13 mm) de espacio libre con el costado de la bisagra

PATAS NIVELADORAS

Las **patas niveladoras** en las esquinas frontales del refrigerador se deberían configurar de modo que éste quede posicionado de manera firme sobre el suelo, y que el frente quede elevado lo suficiente como para que la puerta se cierre con facilidad cuando se abra aproximadamente hasta la mitad.

Para ajustar las patas niveladoras, gire las mismas en dirección contraria a las agujas del reloj para levantar el refrigerador, y en dirección de las agujas del reloj para bajarlas.



Gire en dirección de las agujas del reloj para subir, y en dirección contraria a las agujas del reloj para bajar.

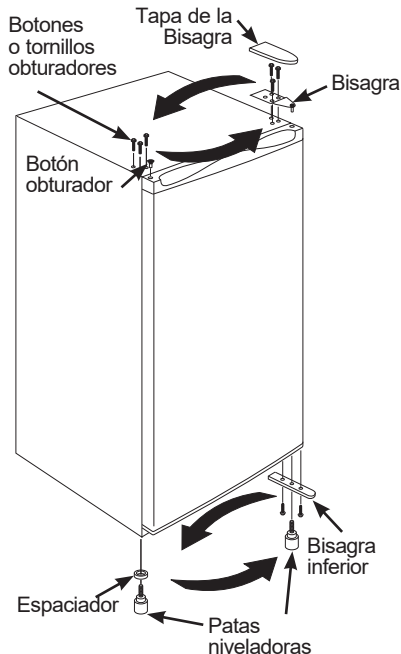
Instrucciones de Instalación

Inversión de la Puerta

1. Retire el botón obturador pequeño sobre el lado izquierdo de la tapa superior de la puerta.
2. Retire los 2 botones o tornillos obturadores sobre el lado izquierdo en la parte superior del gabinete.
3. Retire el tornillo de la tapa de la bisagra, y luego retire la tapa de la bisagra levantando la misma desde el extremo frontal.
4. Retire los 2 tornillos desde la bisagra superior.
5. Levante la puerta hacia arriba y afuera de la bisagra inferior (lado derecho).
6. Incline el gabinete del refrigerador hacia atrás para retirar la pata niveladora derecha.
7. Retire los tornillos de la bisagra inferior (lado derecho) y retire las patas niveladoras, como también el dispositivo de detención de plástico de la puerta. Mueva la bisagra inferior y el dispositivo de detención de la puerta hacia la izquierda y asegure los mismos con tornillos. Vuelva a instalar las patas niveladoras

IMPORTANTE: La pata izquierda cuenta con un espaciador o con un dispositivo espaciador que deberá ser movido hacia la pata niveladora del lado derecho cuando el giro de la puerta sea invertido.

8. Vuelva a atornillar la pata niveladora derecha, con un espaciador, del lado derecho.
9. Posicione la puerta sobre la bisagra inferior izquierda. Con una junta imantada que sostenga la puerta en su posición, asegure la bisagra superior con tornillos.
10. **Asegúrese de que la puerta quede alineada con el gabinete del refrigerador antes de continuar.**
11. Reemplace la tapa de la bisagra sobre la parte superior de la bisagra.
12. Coloque el botón obturador en el agujero sobre el lado derecho de la tapa de la puerta.
13. Coloque los 3 (2 en algunos modelos) botones obturadores sobre el lado derecho en la parte superior del gabinete.



Instrucciones de Instalación

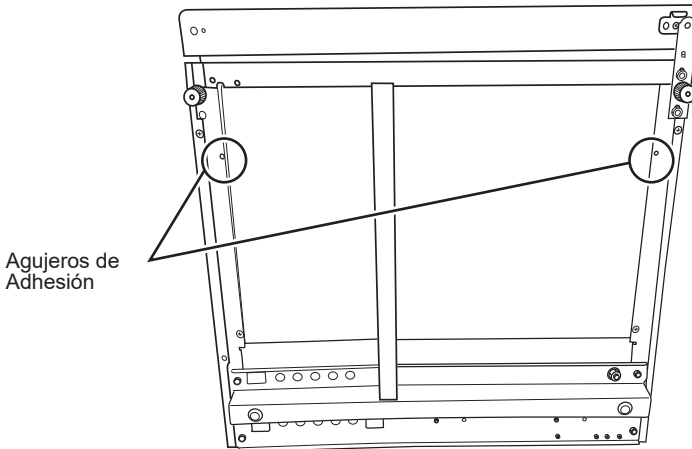
Soportes de Piso (No provistos)

⚠ ADVERTENCIA RIESGO DE PESO EXCESIVO

Cuente con la ayuda de dos o más personas para mover y posicionar el refrigerador para la instalación del soporte de piso. Si esto no se cumple se podrán producir lesiones en la espalda u otras heridas.

Algunas instalaciones de electrodomésticos RV usan soportes de piso o pared para asegurar el electrodoméstico a los gabinetes adyacentes, a fin de evitar el movimiento durante el transporte del RV. Este refrigerador posee la estructura en la superficie inferior para adherir soportes de piso (no provistos).

- Para instalar soportes de piso al refrigerador, apoye este último sobre su parte trasera y ubique los agujeros de adhesión provistos, como se muestra, sobre el lado inferior del refrigerador.



- Adhiera un soporte a cada lado en estas ubicaciones, usando tornillos para láminas metálicas (no provistos). Se recomienda el uso de tornillos para lámina metálica n° 8-16 x 1/2".
- Vuelva a colocar el refrigerador en la posición erguida. Espere por lo menos 4 horas para completar las conexiones eléctricas luego de volver a colocar el refrigerador en la posición erguida.

Instrucciones de Instalación

Conexión Eléctrica

⚠ ADVERTENCIA



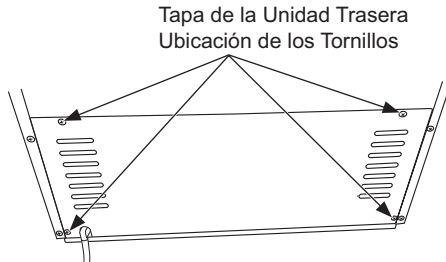
RIESGO DE DESCARGA ELÉCTRICA

Si no se siguen estas instrucciones se podrá producir a muerte, incendios o descargas eléctricas.

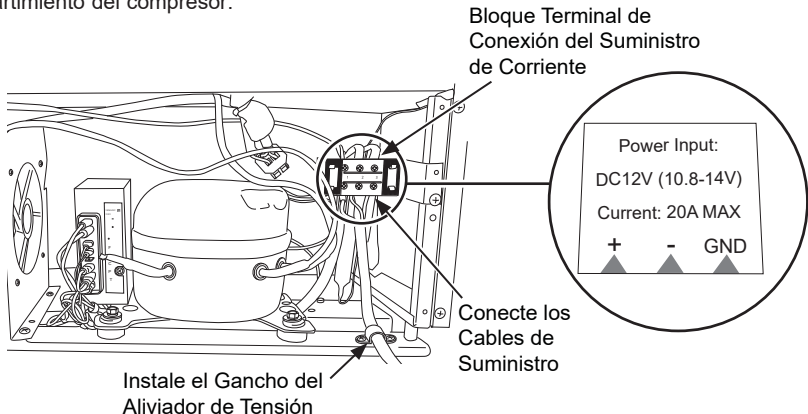
- Extensiones prolongadas de líneas de voltaje de CC combinadas con cableados de calibre pequeño podrán conducir a una caída excesiva del voltaje en la conexión del refrigerador, lo cual reducirá el nivel de enfriamiento del refrigerador, y hará que los cables se sobrecalienten y que esto pueda ocasionar un incendio. Se recomienda el tamaño de cable suministrado más abajo.

Tamaño del Cable Suministrado	Longitud Máxima de la Tubería de Suministro
Calibre del Cable 12	20 Pies
Cable del Cble 10	35 Pies
Calibre del Cable 8	50 Pies

- Antes de iniciar la instalación, desconecte la corriente retirando el fusible del circuito del refrigerador o apagando el disyuntor desde el panel de distribución de voltaje de CC.
- Gire la perilla de control hasta la posición OFF (Apagado).
- Ubique y retire los cuatro tornillos de la tapa de la unidad trasera como se indica, usando un destornillador Phillips.



- Ubique el bloque terminal de la conexión del suministro de corriente, del lado derecho del compartimiento del compresor.



Instrucciones de Instalación

Conexión Eléctrica (Cont.)

- Destrabe la tapa de plástico clara del bloque terminal para acceder a los tornillos de la terminal. Afloje los tornillos del lado de suministro de la terminal, del lado más bajo del bloque, con un destornillador Phillips. Adhiera los cables de suministro a la polaridad apropiada y a las terminales a tierra, como se indica en la etiqueta. Conecte el cable positivo a la terminal con la marca +, el cable negativo a la terminal con la marca -, y el cable a tierra a la terminal con la marca GND. Vuelva a ajustar los tornillos del bloque terminal y reemplace la tapa de plástico clara.
- Se deberá instalar un gancho del cableado del aliviador de tensión para los cables suministrados. De la selección de ganchos para cables provistos en la bolsa del Manual del Propietario, seleccione el gancho del tamaño apropiado que sea necesario para ajustar los cables de suministro usados.



- Use el tornillo también provisto en la bolsa del Manual del Propietario para montar el gancho del aliviador de tensión en la ubicación mostrada en el riel inferior del compartimiento del compresor. Los cables deberán estar completamente ajustados una vez que se haya instalado el gancho, sin movimientos ni deslices de los cables dentro del gancho cuando los cables queden estirados.
- Reemplace la tapa de la unidad trasera, dirigiendo los cables de suministro a través de la ranura provista en la parte inferior derecha de la tapa.
- Mueva la unidad hasta su posición final, teniendo cuidado de no rodar sobre ni dañar el cable de suministro de corriente principal.
- Luego de completar la instalación, conecte el electrodoméstico reemplazando el fusible del circuito del refrigerador o encendiendo el disyuntor desde el panel de distribución de voltaje de CC. Gire la perilla de control hasta la posición COLD (Frío).

Antes de Solicitar el Servicio Técnico...

Consejos para la Solución de Problemas

¡Ahorre tiempo y dinero! Primero revise los cuadros que aparecen en las siguientes páginas y es posible que no necesite solicitar reparaciones.

Problema	Causas Posibles	Qué Hacer
El refrigerador no funciona	El control está en la posición OFF (Apagado).	Mueva el control a un ajuste de temperatura.
	Se quemó el fusible/ el disyuntor está activado	Reemplace el fusible o reinicie el disyuntor.
Vibración normal o ruidosa (una vibración leve es normal)	Las patas niveladoras frontales necesitan ajuste.	Consulte la sección de Patas Niveladoras.
El motor funciona durante periodos o ciclos largos	Es normal cuando el refrigerador es instalado por primera vez.	Espere 24 horas hasta que el refrigerador se enfríe completamente.
	Sucede con frecuencia cuando se colocan grandes cantidades de comida en el refrigerador.	Esto es normal.
	Se dejó la puerta abierta.	Controle que no haya paquetes que impidan que la puerta se cierre.
	Clima cálido o apertura frecuente de la puerta.	Esto es normal.
	El control de temperatura está configurado en la posición más fría.	Consulte la sección Acerca del Control.
El refrigerador está demasiado caliente	El control de temperatura no se configuró en un nivel lo suficientemente frío.	Ver sobre la sección de Controles.
	Clima cálido o se abre la puerta con frecuencia.	Configure el control de temperatura en un nivel más de frío. Ver sobre la sección de Controles.
	Se dejó la puerta abierta.	Controle que no haya paquetes que impidan que la puerta se cierre.
El refrigerador tiene olor	Comidas que transmiten olor al refrigerador.	Las comidas con olores fuertes se deberán cubrir de forma hermética. Coloque una caja abierta de bicarbonato de sodio en el refrigerador; reemplace la misma cada tres meses.
	Es necesario limpiar la parte interna.	Consulte la sección de Cuidado y Limpieza.
Se forma humedad en la parte exterior del refrigerador	No es atípico durante períodos con altos niveles de humedad.	Seque la superficie.
Se acumula humedad dentro (en climas húmedos, el aire lleva humedad al refrigerador cuando la puerta es abierta)	Se abre la puerta de forma muy frecuente o por períodos demasiado largos.	

Garantía Limitada del Refrigerador

Para los clientes de EE.UU. Todos los servicios de garantía los proporcionan nuestros Centros de Reparación de Fábrica o nuestros técnicos Customer Care® autorizados. Para concertar una cita de reparación, en línea, 24 horas al día, visite nos al **GEAppliances.com**, o llame GE Appliances al 800. GE.CARES (800.432.2737). Cuando llame para solicitar servicio, por favor tenga a mano el número de serie y el número de modelo. **En Canadá**, llame al 800.561.3344

Grape aquí su recibo. Se requiere facilitar prueba de la fecha de compra original para obtener un servicio bajo la garantía.

Por el período de: **GE Appliances reemplazará:**

Un año
A partir de la fecha original purchase de la compra original

Cualquier parte del refrigerador que falle debido a defectos en los materiales o en la fabricación. Durante esta garantía **limitada de un año**, GE Appliances también proporcionará, **sin costo alguno**, toda la mano de obra y el servicio relacionado para reemplazar partes defectuosas.

Lo que GE Appliances no cubrirá:

- Viajes del técnico del servicio a su hogar para enseñarle sobre cómo usar el producto.
 - Instalación, entrega o mantenimiento inadecuados.
 - Fallas del producto en caso de abuso, mal uso, o uso para propósitos diferentes al original o uso comercial.
 - Pérdida de alimentos por mal estado.
 - Reemplazo de fusibles de la casa o reinicio de disyuntores.
 - Daño causado después de la entrega.
 - Reemplazo del cartucho del filtro de agua, si se incluye, debido a la presión del agua que está fuera del rango de funcionamiento específico o debido a exceso de sedimentos en el suministro de agua.
 - Reemplazo de bombillas de luz, si se incluyen, o del cartucho del filtro de agua,
- si se incluye, a diferencia de lo detallado anteriormente.
 - Daños ocasionados sobre el producto por accidente, incendio, inundaciones o catástrofes naturales.
 - Daños consecuentes o incidentales causados por posibles defectos de este producto.
 - Producto no accesible para brindar el servicio requerido.
 - Cualquier daño sobre la terminación deberá ser informado dentro de las 48 horas luego de la entrega del electrodoméstico.
 - Productos que no presenten defectos ni estén rotos, o que estén funcionando de acuerdo con lo descrito en el Manual del Propietario.

EXCLUSIÓN DE GARANTÍAS IMPLÍCITAS—Su único y exclusivo derecho es la reparación del producto, tal y como se indica en esta Garantía limitada. Cualquier garantía implícita, incluyendo las garantías implícitas de comerciabilidad o adecuación para un fin determinado, están limitadas a un año o el período de tiempo más breve permitido por la ley.

Para los clientes de EE.UU. Esta garantía limitada se extiende al comprador original y a cualquier dueño subsiguiente de productos comprados para uso hogareño dentro de EE.UU. Si el producto está en un área donde no se encuentra disponible un Proveedor Autorizado del Servicio Técnico de GE Appliances, usted será responsable por el costo de un viaje o se podrá requerir que traiga el producto a una ubicación del Servicio Técnico de GE Appliances Autorizado para recibir el servicio. En Alaska, la garantía limitada excluye el costo de envío o llamadas del servicio a su hogar.

Algunos estados no permiten la exclusión o limitación de daños fortuitos o consecuentes. Esta garantía limitada le da derechos legales específicos y es posible que tenga otros derechos legales que varían entre un estado y otro. Para conocer cuáles son sus derechos legales, consulte a la oficina de asuntos del consumidor local o estatal o al Fiscal de su estado.

**Garante: GE Appliances, a Haier company
Louisville, KY 40225**

Para los clientes de Canadá : Esta garantía limitada se extiende al comprador original y cualquier comprador posterior de productos comprados en Canadá para uso residencial dentro de Canadá. El servicio a domicilio warrant será proporcionado en las áreas donde está disponible y que se considere razonable por Mabe para ofrecer.

Mabe Canada Inc., Burlington, ON, L7R 5B6

Soporte para el Consumidor

Sitio Web de GE Appliances

¿Desea realizar una consulta o necesita ayuda con su electrodoméstico? ¡Intente a través del Sitio Web de GE Appliances las 24 horas del día, cualquier día del año! Usted también puede comprar más electrodomésticos maravillosos de GE Appliances y aprovechar todos nuestros servicios de soporte a través de Internet, diseñados para su conveniencia. En EE.UU.: GEAppliances.com

Registre su Electrodoméstico

¡Registre su electrodoméstico nuevo a través de Internet, según su conveniencia! Un registro puntual de su producto permitirá una mejor comunicación y un servicio más puntual de acuerdo con los términos de su garantía, en caso de surgir la necesidad. También puede enviar una carta en la tarjeta de inscripción preimpresa que se incluye con el material embalado.

En EE.UU.: GEAppliances.com/register

Servicio Programado

El servicio de reparación de expertos de GE Appliances está a sólo un paso de su puerta. Conéctese a través de Internet y programe su servicio a su conveniencia cualquier día del año. En EE.UU.: GEAppliances.com/service_0 comuníquese al 800.432.2737 durante el horario de atención comercial.

Garantías Extendidas

Adquiera una garantía extendida de GE Appliances y conozca los descuentos especiales que están disponibles mientras su garantía aún está vigente. La puede adquirir en cualquier momento a través de Internet. Los servicios de GE Appliances aún estarán allí cuando su garantía caduque.

En EE.UU.: GEAppliances.com/extended-warranty o comuníquese al 800.626.2224 durante el horario de atención comercial.

Conectividad Remota

Para solicitar asistencia para la conectividad de red inalámbrica (para modelos con acceso remoto), visite nuestro sitio web en GEAppliances.com/connect o comuníquese al 800.220.6899 en EE.UU.

Piezas y Accesorios

Aquellos individuos calificados para realizar el servicio técnico de sus propios electrodomésticos podrán solicitar el envío de piezas o accesorios directamente a sus hogares (se aceptan las tarjetas VISA, MasterCard y Discover). Ordene hoy a través de Internet durante las 24 horas, todos los días. En EE.UU.: GEApplianceparts.com o de forma telefónica al 877.959.8688 durante el horario de atención comercial.

Las instrucciones que figuran en este manual cubren los procedimientos que serán realizados por cualquier usuario. Otros servicios técnicos generalmente deben ser derivados a personal calificado del servicio. Se deberá tener cuidado, ya que una reparación indebida podrá hacer que el funcionamiento no sea seguro.

Contáctenos

Si no se encuentra satisfecho con el servicio que recibió de GE Appliances, comuníquese con nosotros a través de nuestro sitio Web con todos los detalles, incluyendo su número telefónico, o escriba a:

En EE.UU.: General Manager, Customer Relations | GE Appliances, Appliance Park | Louisville, KY 40225
GEAppliances.com/ge/service-and-support/contact.htm