

Café™ 30" Slide-In Front Control Radiant and Convection Range

CES700M2NS5

CAFÉ

DISTINCT BY DESIGN™



FEATURES & BENEFITS

Seamless glass surface streamlines and simplifies cooking - A sleek look is yours with an edge-to-edge glass cooktop that provides a seamless, easy-to-clean surface with more usable cooking space for five course meals

The perfect match for pots and pans of all sizes - Tailor your burner size to your cookware with a 12"/9"/6" element with Power Boil

Enjoy total control in the kitchen and beyond - Control your oven with your smart device or simply your voice using WiFi Connect

Precise control delivers consistently delicious results - Achieve perfectly even desserts with accurate heat circulation thanks to True European Convection with Precise Air

Prepare foods to perfect doneness - Get roasts and meats just right with a temperature probe that lets you monitor progress without opening the oven door

Command your cooking with a compelling display
Control every detail of every meal you cook with a brilliant digital temperature display and easy-to-use electronic touchpad.

Design that pushes boundaries - Extraordinary design meets outstanding functionality thanks to a push-to-open storage drawer that eliminates the need for an additional handle on your range's façade, creating a unique, sleek aesthetic in your kitchen

Allow your appliances to interact with one another - Create a chef-like experience with Chef Connect, which can synchronize your appliance clocks and surface lights and vent when a range burner is in use, and even your microwave and range clocks

Choose the range you want with total confidence - When you're updating your kitchen, attention to detail is a priority. That's why Café 30" slide-in ranges are guaranteed for an exact fit or Cafe Appliances will pay up to \$300 toward modifications.

APPEARANCE

| | |
|----------------------------|--|
| Installation | Flush Appearance; Free-standing cut-out |
| Oven Door Features | Big View Oven Window; Easy clean oven door; Full-Wrapped Stainless |
| Handle Color | Stainless Steel |
| Handle Design | Café Minimal |
| Textured Steel Side Panels | Yes |

FEATURES

| | |
|--------------------------------------|---|
| Configuration | Range with Storage Drawer |
| Cooking System | True European Convection with Precise Air |
| Cooking Technology | Convection |
| Oven Cleaning Type | Self-Clean; Steam Clean |
| Cooktop Burner Type | Radiant; Smoothtop |
| Cooktop Surface | Black Ceramic Glass |
| Control Location | Front controls |
| Control Type | Digital Temperature Display with Electronic Touchpad |
| Oven Control Features | Audible Preheat Signal; Auto Oven Shut-Off with Override; Auto Recipe Conversion; Auto Self Clean; Certified Sabbath Mode; Chef Connect; Control Lock Capability; C° or F° Programmable; Delay Bake Option (Time Bake); Delay Clean Option; Electronic Clock & Kitchen Timer; Fast Preheat; Hi / Low Broil; Oven "ON" Light; Self-Clean Cool Down Time Display; Temperature Probe |
| Oven Cooking Modes | Baked Goods (No Preheat); Convection Bake; Convection Roast; Frozen Pizza Multi Rack (No Preheat); Frozen Pizza Single Rack (No Preheat); Frozen Snacks Multi Rack (No Preheat); Frozen Snacks Single Rack (No Preheat); Proof; Warming |
| Oven Features | 8-Pass Broil Element |
| Self-Clean Oven Door Lock | Automatic |
| Oven Rack Features | 3 Self-Clean Heavy-Duty Oven Racks; 6 Rack Positions |
| Oven Interior | Black Gloss Finish; Interior Oven Light |
| Connected Capabilities | Amazon Alexa; The Google Assistant; IFTTT; Nest; Drop; Innit; DiGiorno |
| WiFi Connect | Built-In |
| Element - Left Front | 8"/5" 1900W |
| Element - Left Rear | 8" 2000W |
| Element - Right Front | 12"/9"/6" 3600W Power Boil |
| Element - Right Rear | 6" 1200W |
| Element - Center | 6" 80W Warming Zone |
| Hot Surface Indicator Lights | 1 |
| Heating Element "ON" Indicator Light | Yes |
| Infinite Heat Controls | Yes |

CAPACITY

| | |
|-----------------------------|-----------|
| Total Capacity (cubic feet) | 5.7 cu ft |
|-----------------------------|-----------|

ACCESSORIES

| | |
|----------|----------------------|
| Trim Kit | Optional; JXFILLR1SS |
|----------|----------------------|

WEIGHTS & DIMENSIONS

| | |
|--|----------------------|
| Depth with Door Open | 47 1/2 in |
| Approximate Shipping Weight | 201 lb |
| Net Weight | 190 lb |
| Height to Top of Rear Vent Trim | 37-3/8 in |
| Overall Height | 37-3/8 in |
| Height to Cooking Surface (in.) | 36-1/4 +/- 1/4 |
| Overall Width | 29-7/8 in |
| Cabinet Width | 30 in |
| Overall Depth | 29-1/2 in |
| Depth Without Handle | 26-7/8 in |
| Oven Interior Dimensions (W x H x D) (in.) | 24 x 19-7/8 x 20-5/8 |

Café™ 30" Slide-In Front Control Radiant and Convection Range

CES700M2NS5

CAFÉ

DISTINCT BY DESIGN™

POWER / RATINGS

| | |
|--------------------|-------|
| Amp Rating at 208V | 40 |
| Amp Rating at 240V | 40 |
| Convection Wattage | 2500W |
| Bake Wattage | 2850W |
| Broiler Wattage | 4000W |
| KW Rating at 208V | 10.4 |
| KW Rating at 240V | 13.8 |

WARRANTY

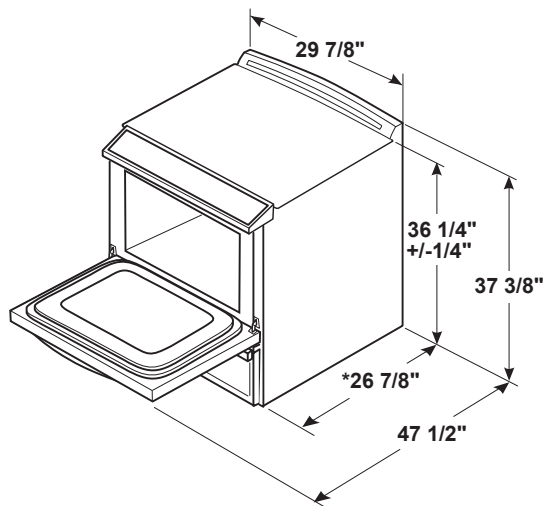
| | |
|----------------|---------------------------------------|
| Parts Warranty | Limited 1-year entire appliance |
| Labor Warranty | Limited 1-year entire appliance |
| Warranty Notes | See written warranty for full details |

DIMENSIONS

Receptacle Locations: Locally approved flexible service cord or conduit must be used because terminals are not accessible after range installation. See shaded area in drawing for location of electrical outlet box. Recommended outlet locations allow range to be installed directly against rear wall.

Note: This appliance has been approved for 0" spacing to adjacent surfaces above the cooktop. However, a 6" minimum spacing to surfaces less than 15" above the cooktop and adjacent cabinet is recommended to reduce exposure to steam, grease splatter and heat.

Installation Information: Before installing, consult installation instructions for current dimensional data and additional requirements.



*Depth including door handle is approximately 29 1/2".

