

10" Rough-in

Features:

□ WS-21-100

- Vitreous China
- 14-3/4" height round front toilet
- 1.28 gpf/4.8lpf HET High Efficiency Toilet
- 10" Rough-In
- Dual-fed siphon jet
- Color matched front tank lever
- 2" Fully Glazed trapway for effective cleaning (white only)
- 2" flush valve
- Double Nut Mounting System
- 2 bolt caps
- Toilet seat not included



Technical Information:

Included Components:

- Combination WS-21-100
- Bowl SE-21-152
- Tank WS-28-175

Fixtures:

Configuration	two-piece, round front
Water per Flush	1.28 gpf (4.8 Lpf)
Rough-In	10"
Height	28 5/8"
Width	17 3/16"
Depth	25"
Trapway	1 3/4"
Large Water Surface	9 5/8" x 7 5/8"
Shipping Weight	70 lbs

Accessories:

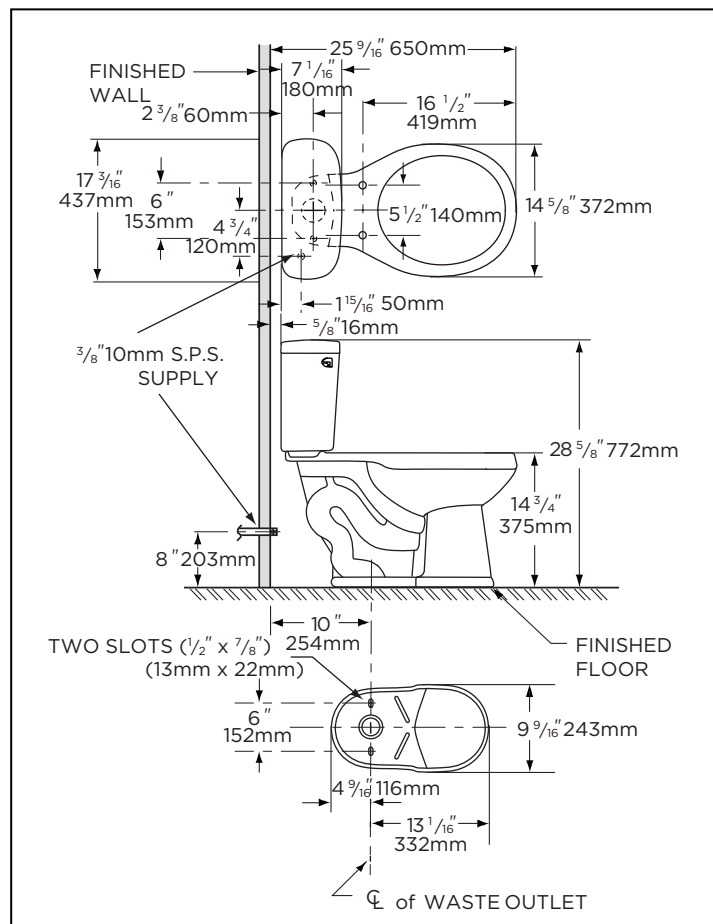
Soft Close Toilet Seat	99-213
------------------------	--------

Colors:

- White
- Biscuit

Warranty:

- 1 Year Manufacturers Warranty



NOTES: All dimensions are in inches. Illustrations may not be drawn to scale.

IMPORTANT:

Dimensions of fixtures are nominal and may vary within the range of tolerances established by ASME standard A 112.19.2 THIS FIXTURE QUALIFIES ACCORDING TO ASME TEST PROCEDURES AS A HIGH EFFICIENCY WATER CLOSET WITH AN AVERAGE CONSUMPTION OF 1.28 gpf (4.8 Lpf) OR LESS.