

GERBER

VITREOUS CHINA
TOILET
WS-20-914

LAVATORIES

TOILETS

BIDETS / URINALS

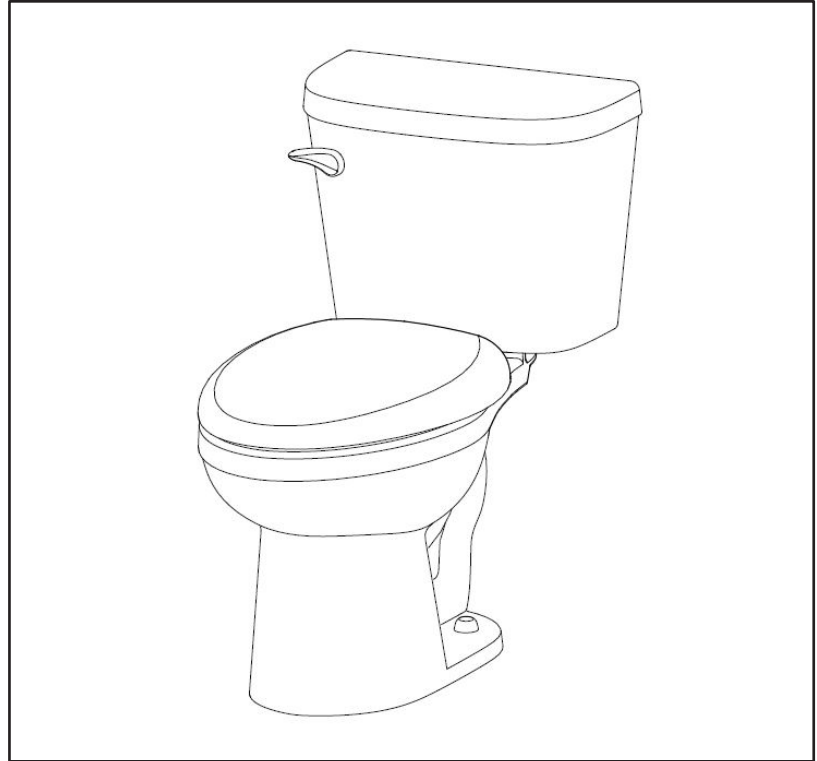
CAST IRON

MAXWELL® 1.28 Elongated Toilet

14" Rough-in

Features:

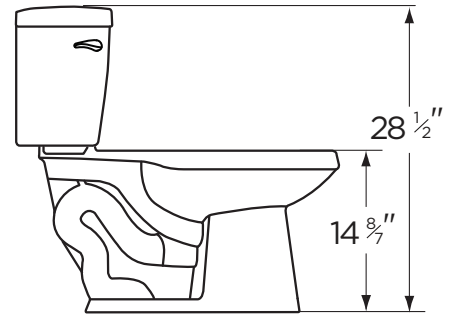
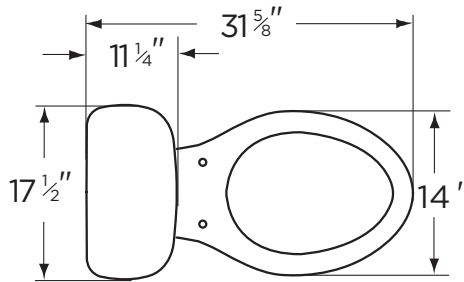
- 1.28 gpf/4.8 Lpf high efficiency two-piece toilet
- Elongated bowl
- Dual-fed siphon jet
- Pilot fill valve
- 3" flush valve
- 2" glazed trapway
- Color matched front tank lever
- Available in White
- 2 bolt caps
- Seat not included



Dimensions:

- Height 28 1/2"
- Width 17 1/2"
- Depth 30 1/2"
- Rough-in 14"
- Water Surface from Rim 5 7/8"
- Trapway 2"
- Water Surface 10 5/8" x 7 1/8"
- Water Seal 2 1/4"
- Shipping Weight 76 lbs

Specifications: Bowl – #MX-21-962 Elongated Bowl Tank – #28-994



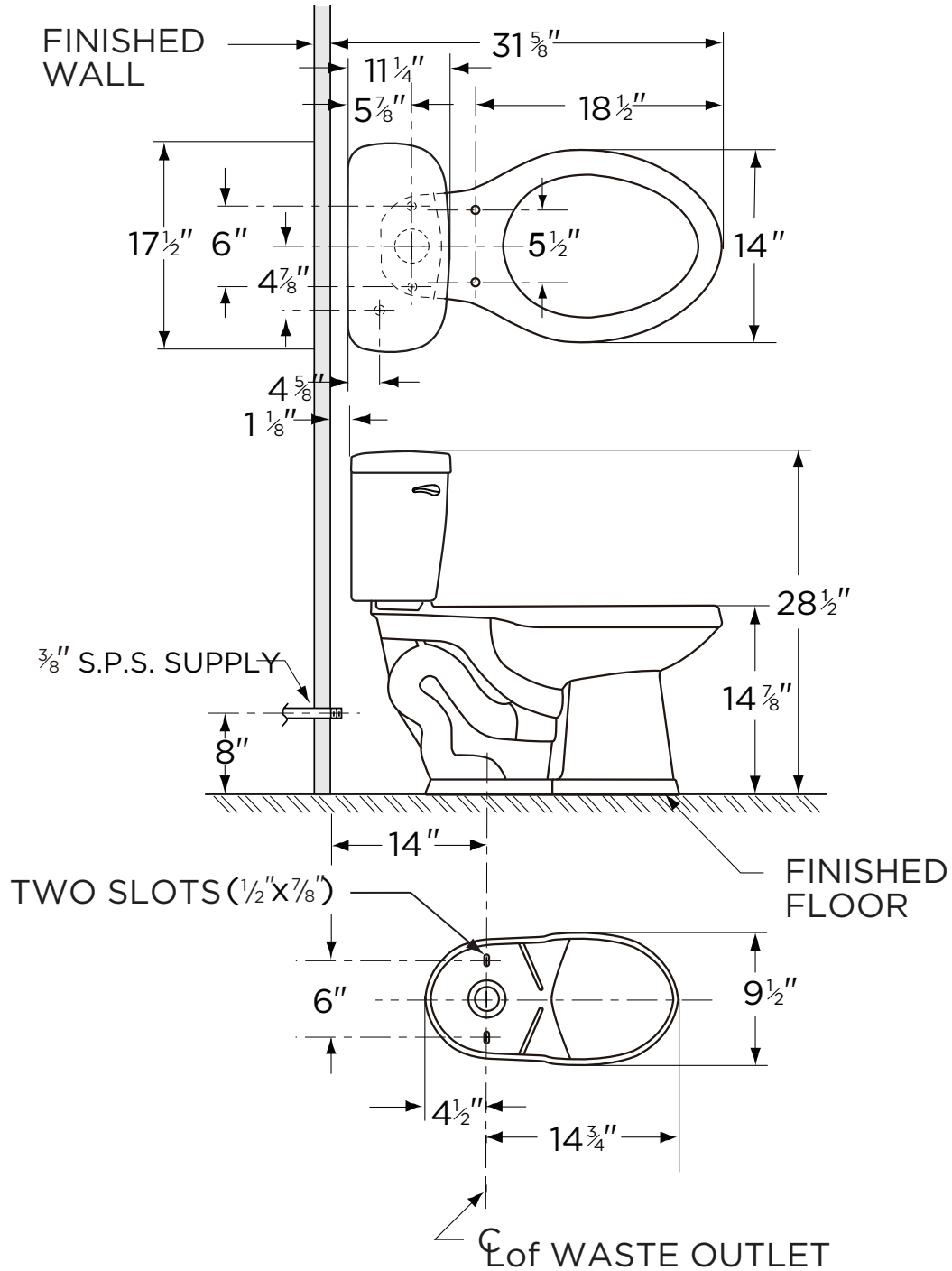
THIS FIXTURE QUALIFIES ACCORDING TO ASME TEST PROCEDURES AS A HIGH-EFFICIENCY WATER CLOSET WITH AN AVERAGE CONSUMPTION OF 1.28 gpf (4.8 Lpf) OR LESS.

HIGH EFFICIENCY TOILET
HET



www.gerberonline.com

Job Name	
Date	
Model Specified	
Quantity	
Customer	
Contractor	
Architect/engineer	



NOTES:

All dimensions are in inches.

Illustrations may not be drawn to scale.

IMPORTANT:

Dimensions of fixtures are nominal and may vary within the range of tolerances established by ASME Standard A 112.19.2.

THIS FIXTURE QUALIFIES ACCORDING TO ASME TEST PROCEDURES AS A HIGH-EFFICIENCY WATER CLOSET WITH AN AVERAGE CONSUMPTION OF 1.28 gpf (4.8 Lpf) OR LESS.