

**Features:**

**LF-20-528**

ErgoHeight™ Elongated 12" Rough-In

- Combination LF-20-528
- Tank LF-28-528
- Bowl WS-21-528

- Vitreous China
- 12" Rough-In
- 3" Tower Flush valve
- Fluidmaster 400A Fill Valve
- Extra-Large Dual fed siphon jets for high power bowl
- 100% glazed, 2" trapway
- Double nut, multi-point tank-to-bowl mounting system for tool-free installation
- Chrome, top button actuator
- Toilet seat not included



**Technical Information:**

Configuration	ErgoHeight™ Elongated
Water per Flush	0.8gpf (3.0 lpf)
Rough-In	12"
Height	31 3/16"
Width	17 1/2"
Depth	29"
Trapway	2"
Large Water Surface	8 11/16" x 6 5/16"
Shipping Weight	86.9 lbs

**Accessories:** (to be purchased separately)

- 99213 Slow Close Toilet Seat

**Other Tank Options:** (bowl to be purchased separately)

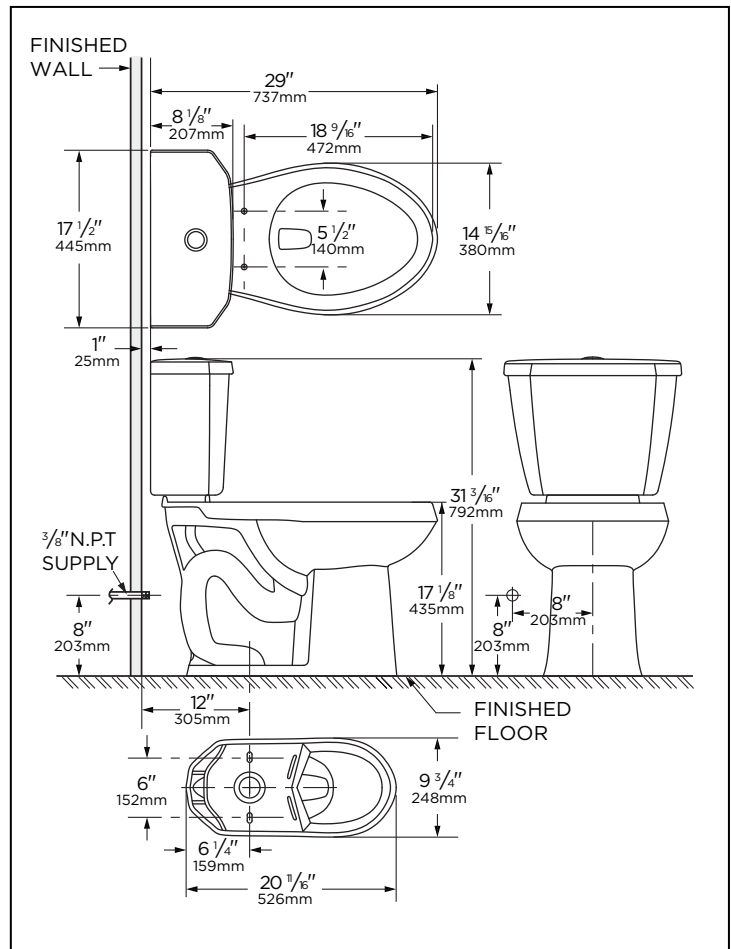
N/A

**Available Colors:**

- White Only
- Other: Refer to Price Book for additional colors/finishes

**Warranty:**

- Limited Lifetime on Vitreous China, refer to the website for more details.



HIGH EFFICIENCY TOILET



**NOTES:** All dimensions are in inches and millimeters. Illustrations may not be drawn to scale.

**IMPORTANT:**

Dimensions of fixtures are nominal and may vary within the range of tolerances established by ASME standard A 112.19.2 THIS FIXTURE QUALIFIES ACCORDING TO ASME TEST PROCEDURES AS A HIGH EFFICIENCY WATER CLOSET WITH AN AVERAGE CONSUMPTION OF 0.8 gpf (3.0 Lpf) OR LESS.