

**Features:**

**GTB20952**

Include Components:

- Combination      GTB20952
- Bowl                GMX21952
- Tank                 G0028990

- Vitreous China
- Toilet-in-a-box configuration
- 12" Rough-In
- 3" Flush Valve for Maximum Water Force
- Gerber Pilot Fill Valve
- Extra-Large Dual Fed Siphon Jet for High Power Bowl Clearing
- 100% Glazed, 2" Large Trapway for Clog-Free Waste Removal
- Double Nut Multi-Point Tank-to-Bowl Mounting System for Tool-Free Installation
- Sanitary Bead for Easy cleaning
- Color Matched Bolt Caps Included
- Soft-close Toilet Seat Included
- Wax Ring Included
- Floor bolts Included



**Technical Information:**

Configuration	Two-Piece, Round Front Toilet
Water Consumption	1.28 gpf (4.8 Lpf)
Rough-In	12"
Height	28 5/8"
Width	17 3/8"
Depth	27 1/4"
Trapway	2"
Water Surface	8 11/16" x 6 5/16"
Shipping Weight	89.1 lbs

**Accessories:**

- Soft-close Toilet Seat GC55012043-GET1

**Other Tank Options:** (Sold Separately)

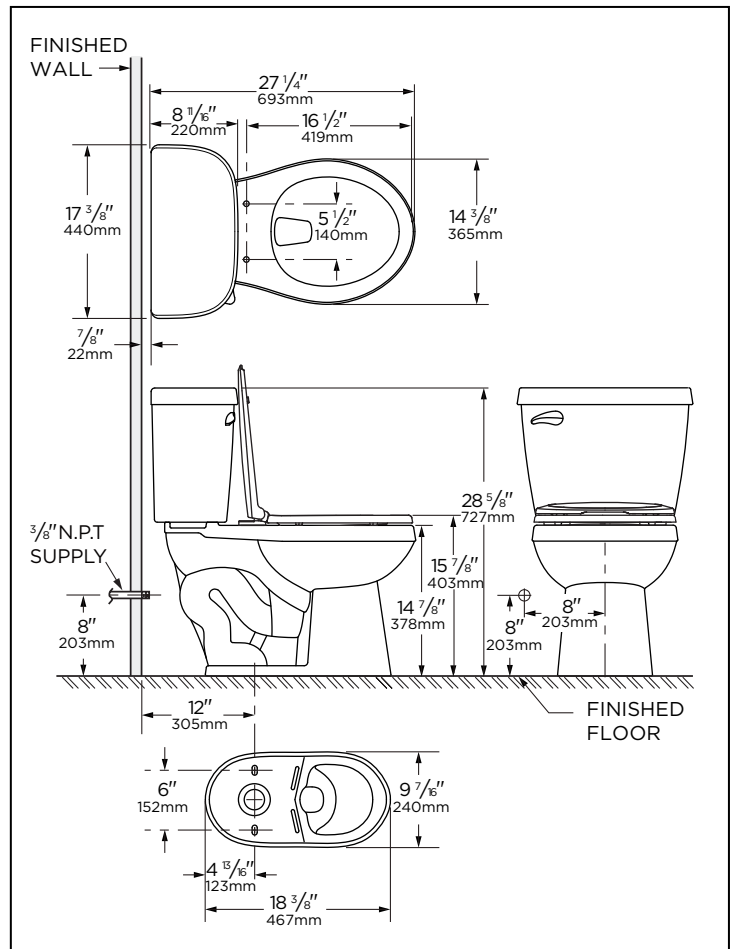
N/A

**Available Colors:**

- White
- Other: Refer to Price Book for Additional Colors

**Warranty:**

- Limited Lifetime on Vitreous China, refer to the website for more details.



**NOTES:** All dimensions are in inches and millimeters. Illustrations may not be drawn to scale.

**IMPORTANT:**

Dimensions of fixtures are nominal and may vary within the range of tolerances established by ASME standard A112.19.2/CSA B45.1 THIS FIXTURE QUALIFIES ACCORDING TO ASME TEST PROCEDURES AS A HIGH EFFICIENCY WATER CLOSET WITH AN AVERAGE CONSUMPTION OF 1.28 gpf (4.8 Lpf). WATER CLOSET CONSUMPTION IS DETERMINED BY THE TANK.