



VITREOUS CHINA

TOILET
25-874

LAVATORIES

TOILETS

BIDETS / URINALS

CAST IRON

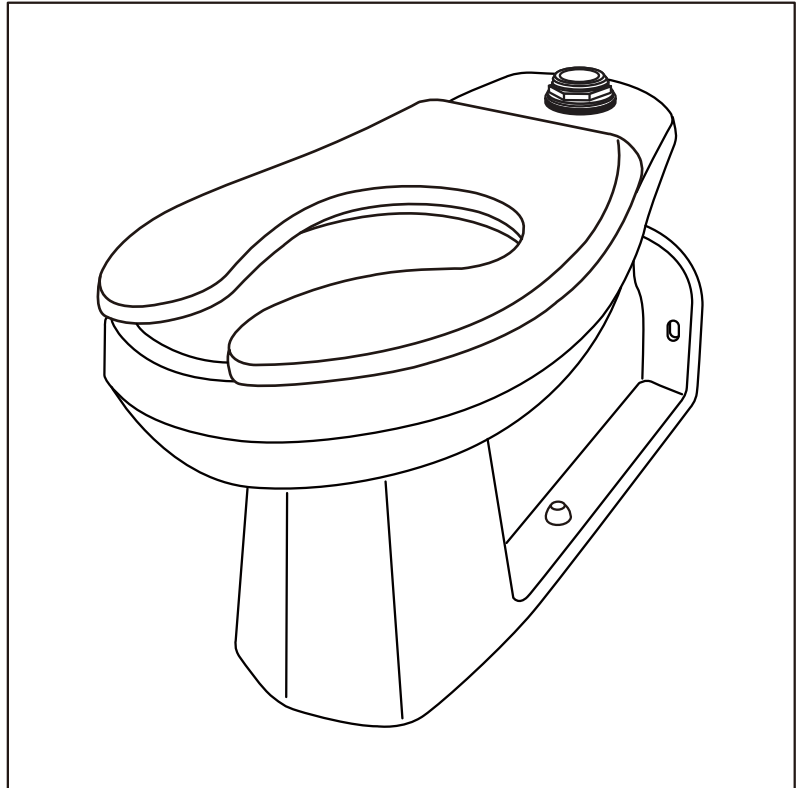
COMMERCIAL 1.6 gpf Elongated Top Spud Back Outlet Bowl

Features:

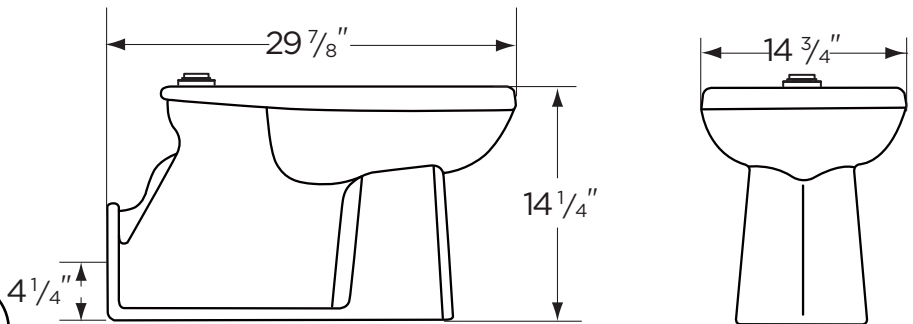
- 1.6 gpf/6 Lpf floor mount back outlet bowl
- Elongated bowl
- Top Spud
- Siphon Jet
- 1 1/2" spud for flushometer valve
- 2 bolt caps

Dimensions:

- Height14 1/4"
- Width14 3/4"
- Depth29 7/8"
- Rough-in(vertical).....4 1/4"
- Water Surface from Rim.....4 1/2"
- Trapway(min) 2"
- Water Surface13 3/4" x 10 3/4"
- Water Seal2 3/8"
- Shipping Weight 52.5 lbs



Seat not included



THIS FIXTURE QUALIFIES ACCORDING TO ASME TEST PROCEDURES AS A LOW CONSUMPTION WATER CLOSET WITH AN AVERAGE CONSUMPTION OF 1.6 gpf (6 Lpf) OR LESS.

Job Name	
Date	
Model Specified	
Quantity	
Customer	
Contractor	
Architect/engineer	

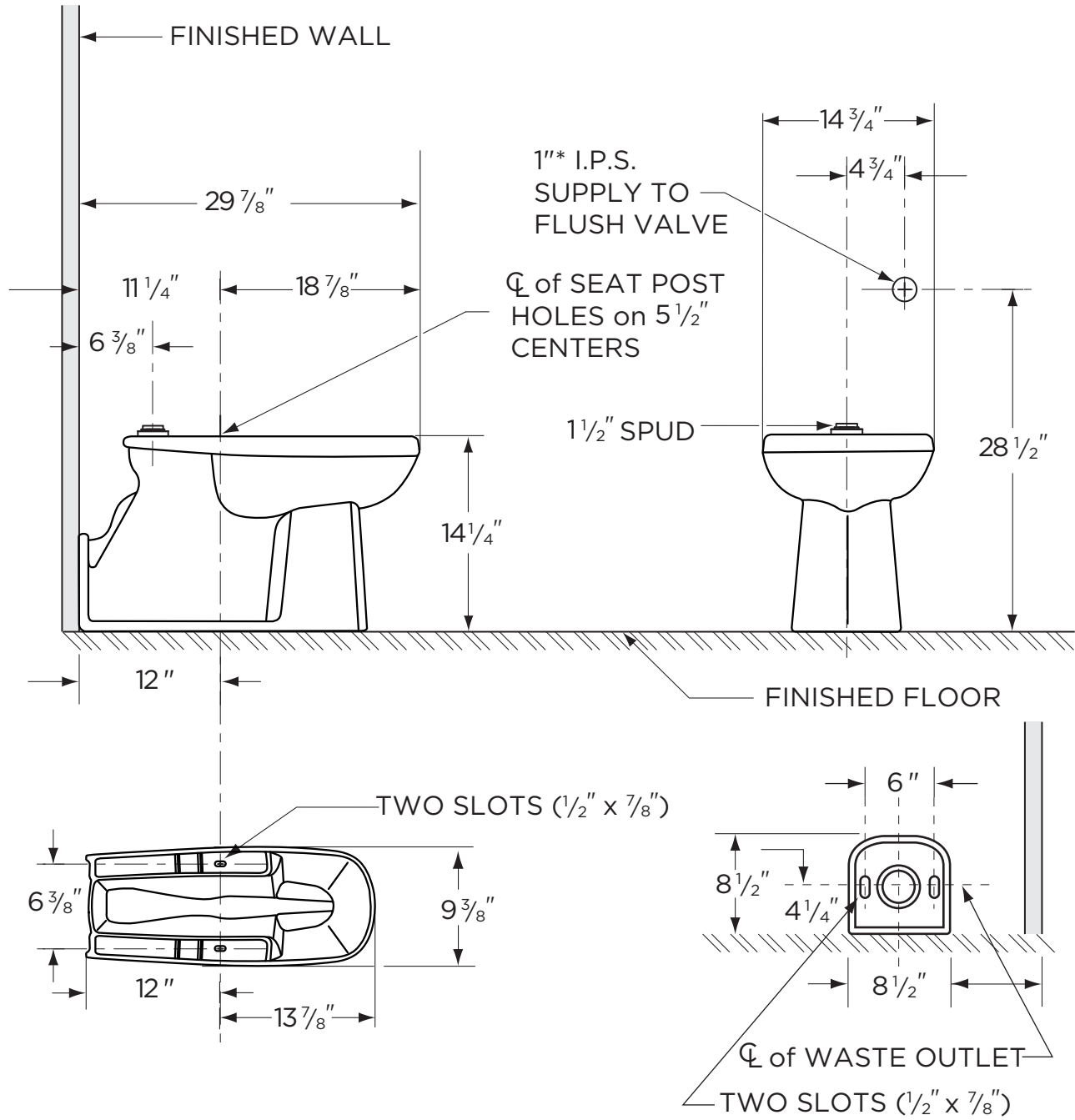
www.gerberonline.com



1.6 gpf (6 Lpf) SPUD BOWL

25-874

Elongated Back Outlet Spud Bowl



NOTES:
 All dimensions are in inches.
 Illustrations may not be drawn to scale.

IMPORTANT:
 Dimensions of fixtures are nominal and may vary within the range of tolerances established by ASME Standard A 112.19.2.
 THIS FIXTURE QUALIFIES ACCORDING TO ASME TEST PROCEDURES AS A LOW CONSUMPTION WATER CLOSET WITH AN AVERAGE CONSUMPTION OF 1.6 gpf (6 Lpf) OR LESS.