



VITREOUS CHINA

Urinal  
**HE-27-720**

LAVATORIES

TOILETS

BIDETS / URINALS

CAST IRON



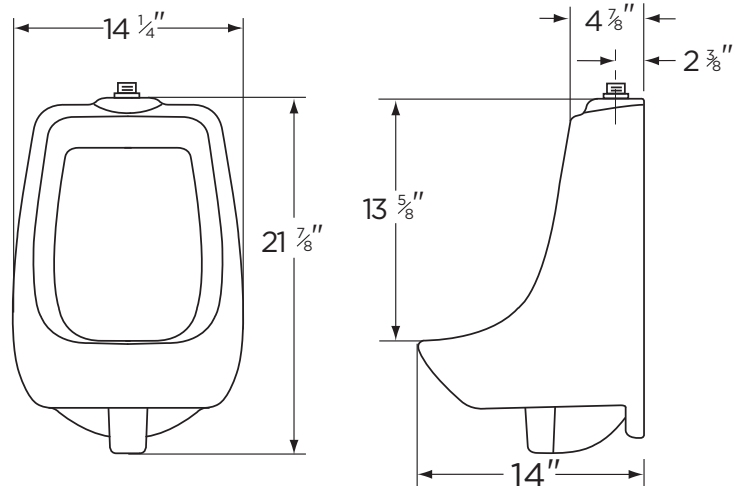
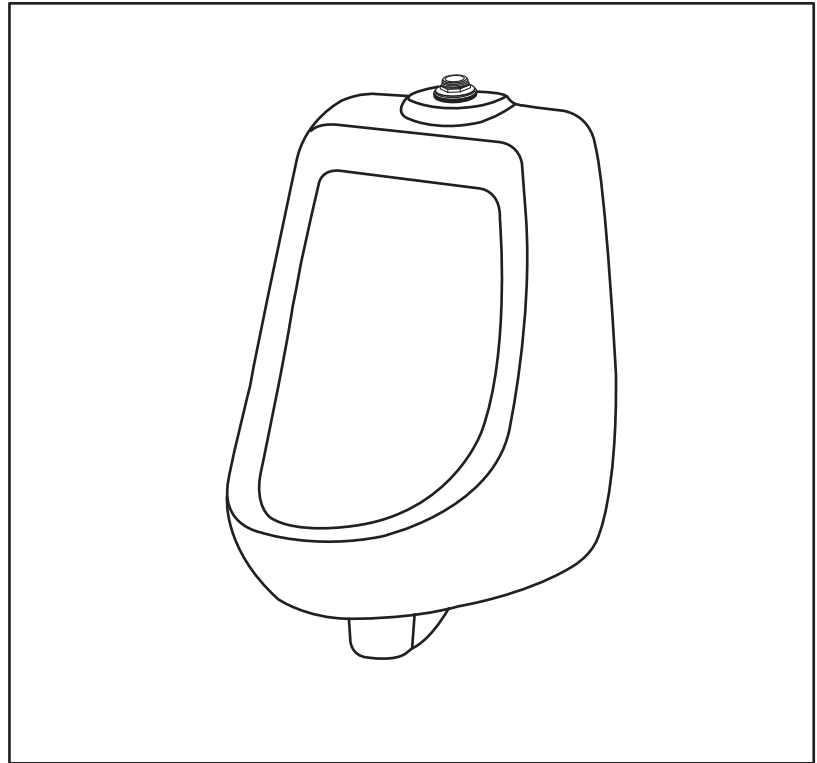
## **NORTHPOINT™ Top Spud Urinal**

### **Features:**

- High Efficiency Urinal 0.5 gpf (1.9 Lpf)
- Space Saving Size
- Flushing Rim
- Washout Flush Action
- Elongated Rim (14" from finished wall)
- 3/4" Inlet Top Spud for Exposed Flushometer
- Outlet Connection Threaded 2" Inside (NPTF)
- Dual Wall Hangers
- ADA compliant

### **Dimensions:**

Height .....21 7/8"  
 Width .....14 1/4"  
 Depth .....14"  
 Inlet.....3/4"  
 Outlet.....2"  
 Shipping Weight .....39 lbs



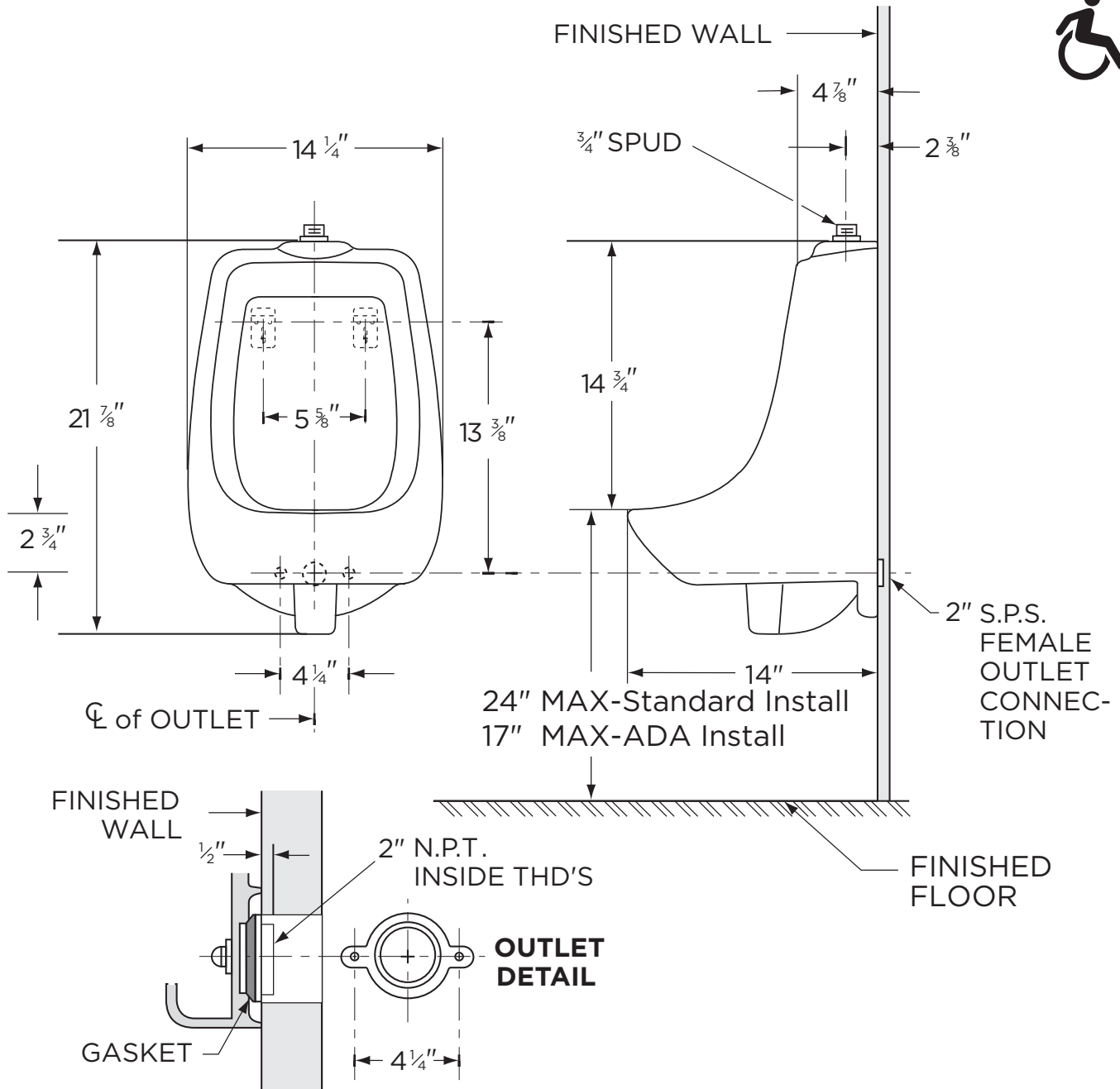
RECOMMENDED STATIC WATER PRESSURE FOR PLUMBING FIXTURES IS 20 - 80 PSI STATIC PER ANSI STANDARDS A112.19.2 APPENDIX B

THIS FIXTURE QUALIFIES ACCORDING TO ASME TEST PROCEDURES AS A HIGH-EFFICIENCY URINAL WITH AN AVERAGE CONSUMPTION OF 0.5 gpf (1.9 Lpf) OR LESS.



[www.gerberonline.com](http://www.gerberonline.com)

Job Name	
Date	
Model Specified	
Quantity	
Customer	
Contractor	
Architect/engineer	



**NOTES:**

All dimensions are in inches. Use flush valve MFR'S recommended rough-in.

Recommended static water pressure for plumbing fixtures is 20-80 psi static per ANSI standards A112.19.2 Appendix B.

Illustrations may not be drawn to scale.

**PLUMBERS NOTE:**

Provide suitable reinforcement for all wall supports.

**IMPORTANT:**

Dimensions of fixtures are nominal and may vary within the range of tolerances established by ASME Standard A 112.19.2. THIS FIXTURE QUALIFIES ACCORDING TO ASME TEST PROCEDURES AS A HIGH-EFFICIENCY URINAL WITH AN AVERAGE CONSUMPTION OF 0.5 gpf (1.9 Lpf) OR LESS.