



VITREOUS CHINA

TOILET
EF-21-325

LAVATORIES

TOILETS

BIDETS / URINALS

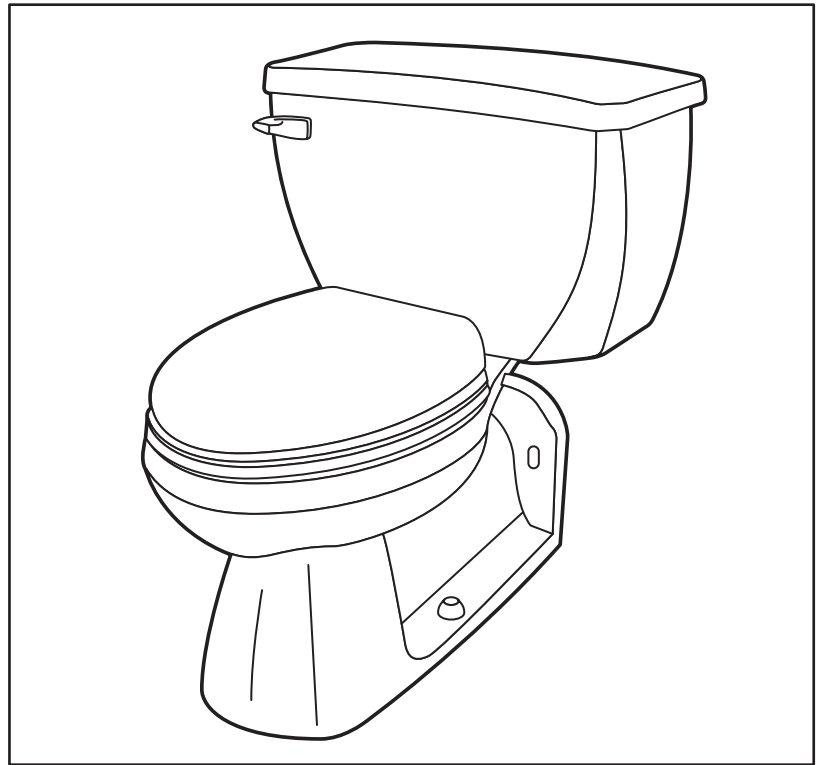
CAST IRON



ULTRA FLUSH® 1.1 Pressure-Assist Toilet 17" High, Elongated, Back Outlet

Features:

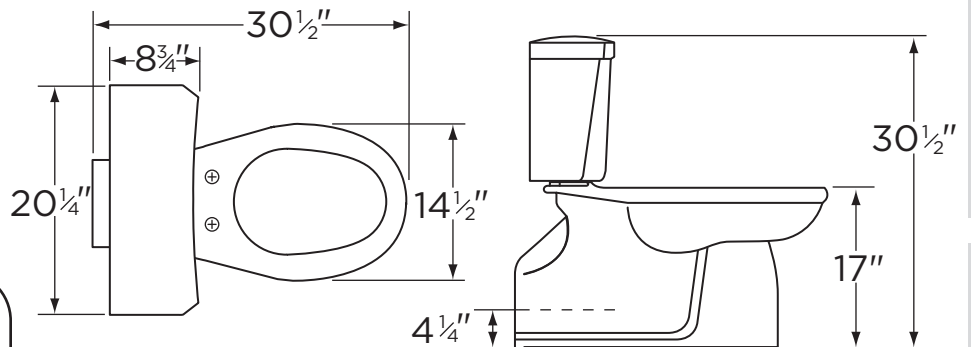
- Water Conservation 1.1 gpf (4.0 Lpf)
- Elongated Bowl
- Wall Waste Outlet
- Pressurized Flushing Action
- Close Coupled Flushometer Tank
- Siphon Jet
- Front Tank Lever
- ADA Compliant
- 2 Bolt Caps



Dimensions:

- Height 30 1/2"
- Width 20 1/4"
- Depth 30 1/2"
- Rough-in (vertical) 4 1/4"
- Water Surface from Rim 4 1/2"
- Trapway (min) 2"
- Water Surface 14" x 11"
- Water Seal 3"
- Shipping Weight 107 lbs

Specifications: Bowl—#21-375 Elongated Bowl Tank—#EF-28-380
Seat not included



THIS FIXTURE QUALIFIES ACCORDING TO ASME TEST PROCEDURES AS A HIGH EFFICIENCY TOILET (HET) WITH AN AVERAGE CONSUMPTION OF 1.1 GPF OR LESS.

HIGH EFFICIENCY TOILET
HET



www.gerberonline.com

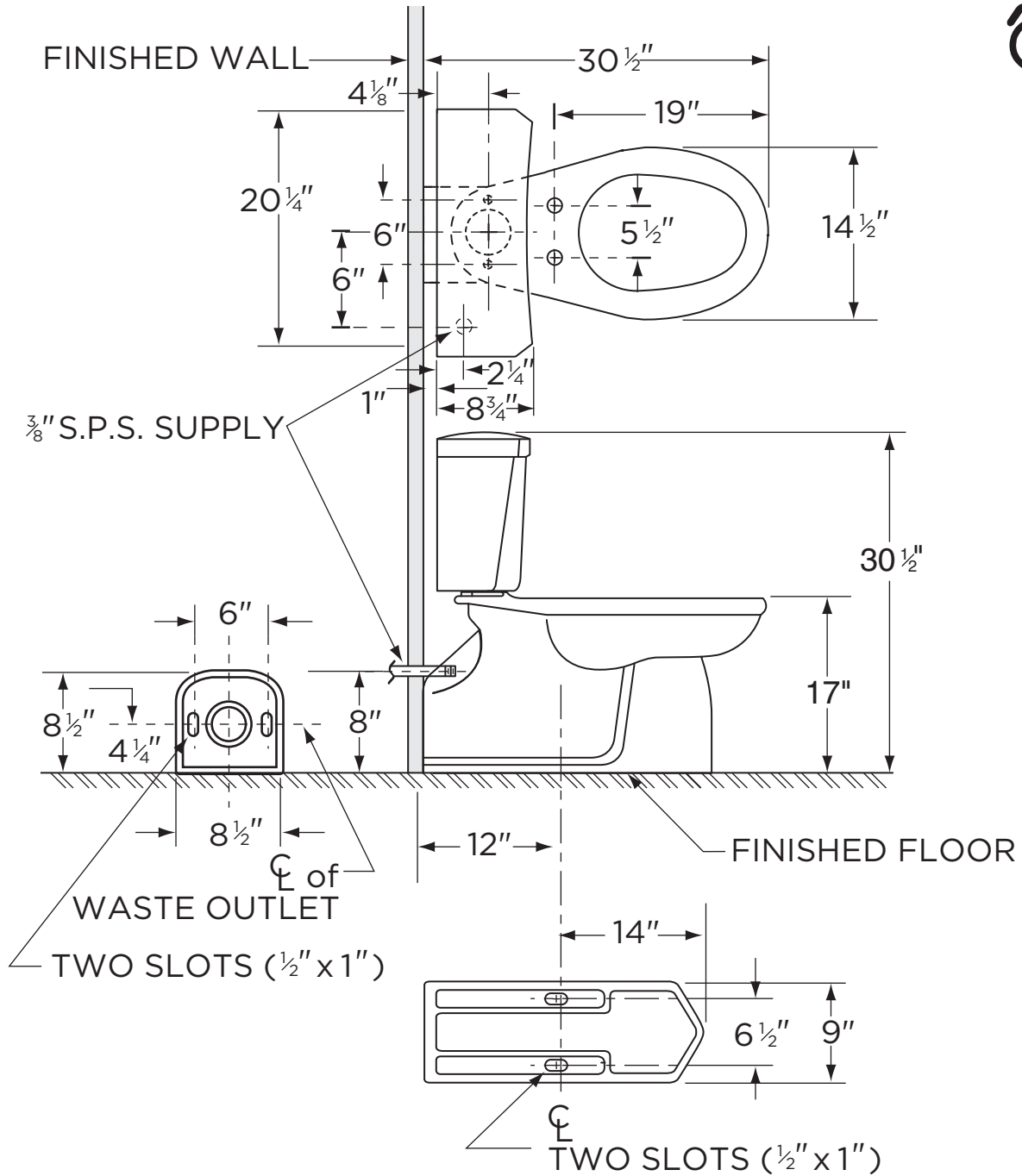
Job Name	
Date	
Model Specified	
Quantity	
Customer	
Contractor	
Architect/engineer	



1.1 gpf (4.0 Lpf) ULTRA FLUSH® 1.1 TOILET

EF-21-325

17" High, Elongated, Back Outlet
(Bowl 21-375 with Tank EF-28-380)



NOTES:
 All dimensions are in inches.
 Illustrations may not be drawn to scale.

IMPORTANT:
 Dimensions of fixtures are nominal and may vary within the range of tolerances established by ASME Standard A 112.19.2.
 THIS FIXTURE QUALIFIES ACCORDING TO ASME TEST PROCEDURES AS A HIGH EFFICIENCY TOILET (HET) WITH AN AVERAGE CONSUMPTION OF 1.1 gpf OR LESS.