

Features:

- Solid cast brass housing
- Choice of Vandal proof Lever or Wrist blade metal handles
- Color-coded handle screws
- Ceramic cartridge
- 6-3/16" swing spout and hose adaptor
- 4" centers for mounting
- Vandal Proof 2.2 gpm (8.3 L/min) @ 60 psi maximum aerator
- 1/2" NPSM supply connection w/brass connections
- Complies with ADA requirements

Certifications:

- ASME A112.18.1M
- ANSI A117.1
- CSA B125
- ANSI/NSF 61

Catalog Numbers:

C0-44-242

With Wrist Blade Handles

C4-44-242

With Metal lever handles

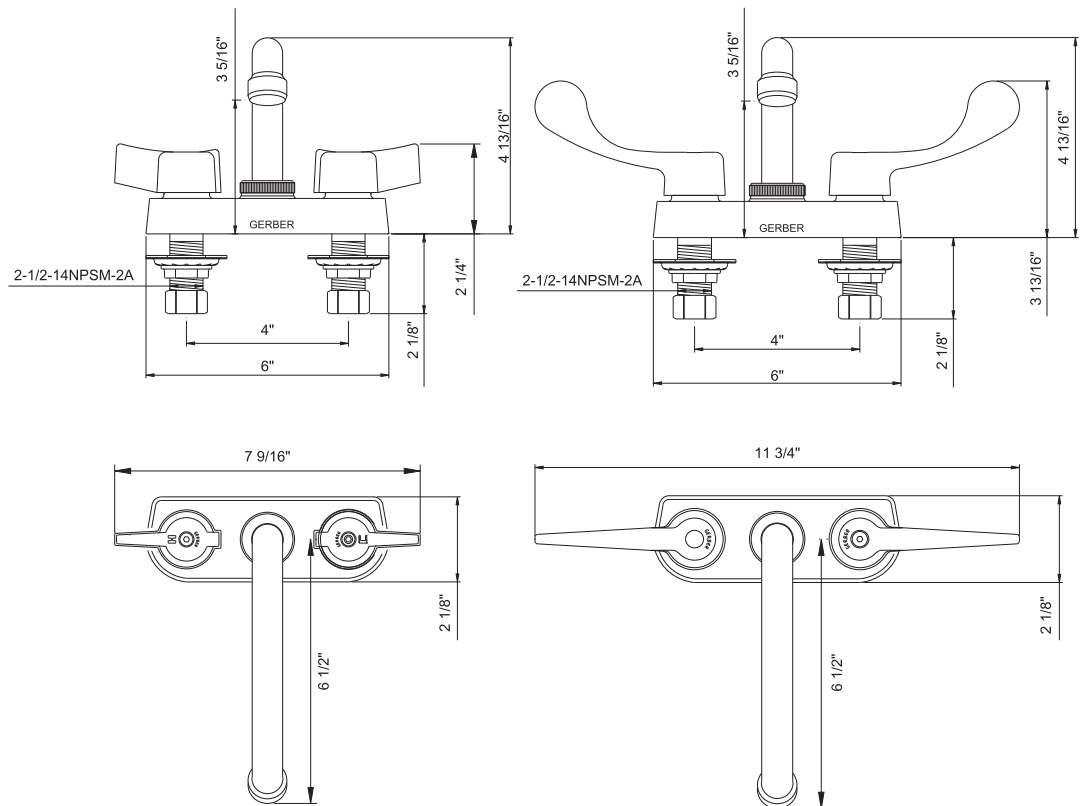
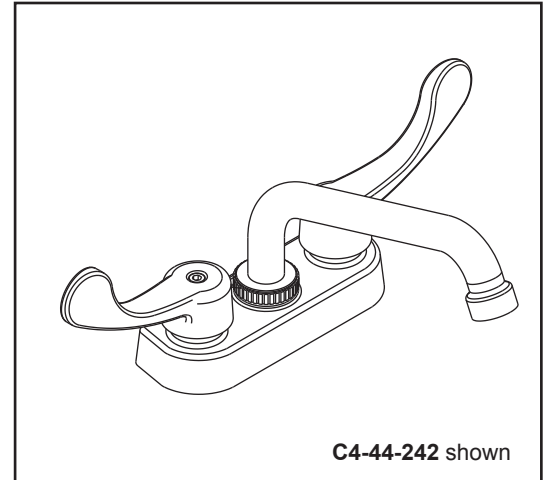
Prefixes Available:

C4 = Metal Lever Handles

C0 = Wrist Blade Handles

Suffixes Available:

None



Job Name	
Date	
Model Specified	
Quantity	
Customer	
Contractor	
Architect/engineer	

GERBER®

PROFESSIONAL PERFORMANCE

Gerber Toll Free Technical Support: 888-648-6466
www.gerberonline.com

