

Features:

GWS21517

Included Components:

- Combination GWS21517
- Bowl GVP21528
- Tank GWS28595

- Vitreous China
- 10" Rough-in
- 3" flush valve for maximum water force
- Fluidmaster® 400A Fill Valve
- Corrosion resistant flapper
- Extra-Large Dual fed siphon jets for high power bowl clearing
- 100% glazed, 2" trapway
- Double nut, multi-point tank-to-bowl mounting system for tool-free installation
- Color matched metal tank lever
- Toilet seat is not included



Technical Information:

Configuration	Two-piece, ErgoHeight™ ADA Elongated Toilet
Water per Flush	1.28 GPF (4.8 LPF)
Rough-In	10"
Height	30 1/4"
Width	18 1/4"
Depth	27 1/2"
Trapway	2"
Large Water Surface	8 11/16" x 6 5/16"
Shipping weight Bowl	53.5 lbs
Shipping weight Tank	29.4 lbs

Accessories: (To be purchased separately)

N/A

Other Tank Options: (To be purchased separately)

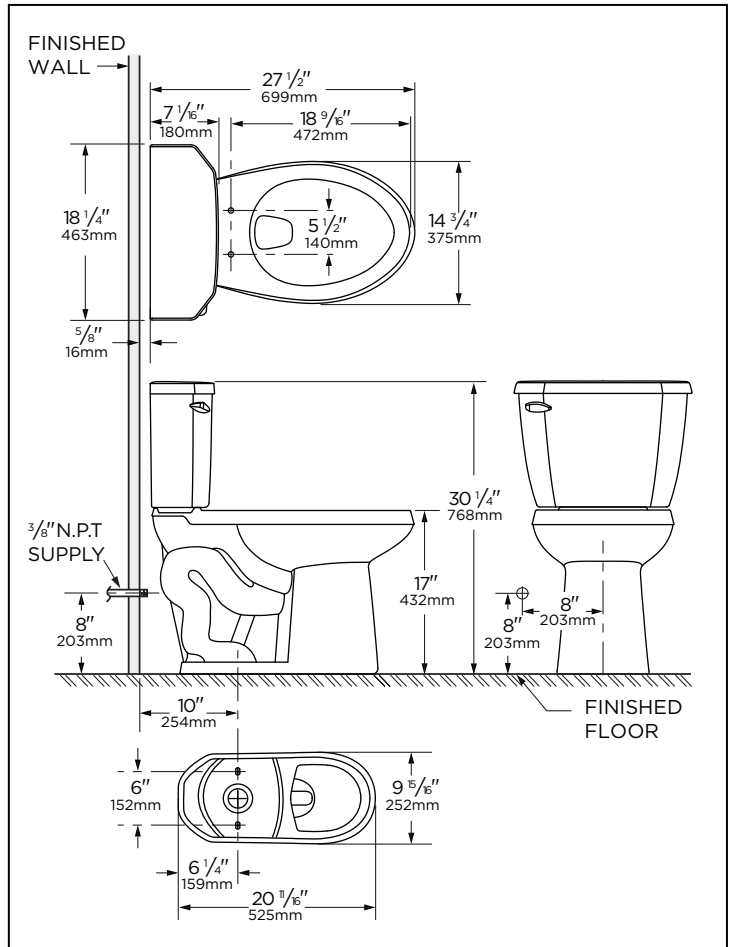
- Tank with Right Hand Lever GWS2859597

Available Colors:

- White
- Other: Refer to Price Book for additional colors/finishes

Warranty:

- Limited Lifetime on Vitreous China, refer to the website for more details.



NOTES: All dimensions are in inches and millimeters. Illustrations may not be drawn to scale.

IMPORTANT:

Dimensions of fixtures are nominal and may vary within the range of tolerances established by ASME standard A 112.19.2 THIS FIXTURE QUALIFIES ACCORDING TO ASME TEST PROCEDURES AS A HIGH EFFICIENCY WATER CLOSET WITH AN AVERAGE CONSUMPTION OF 1.28 gpf (4.8 Lpf) OR LESS.