

Features:

GWS20912

Included Components:

- Combination GWS20912
- Bowl GMX21962
- Tank G0028990

- Vitreous China
- 12" Rough-in
- 3" flush valve for maximum water force
- Fluidmaster® Fill Valve
- Corrosion resistant flapper
- Extra-Large Dual fed siphon jets for high power bowl clearing
- 100% glazed, 2" large trapway for clog-free waste removal
- Double nut, multi-point tank-to-bowl mounting system for tool-free installation
- Color matched tank lever
- Toilet seat is not included



Technical Information:

Configuration	Two-piece, Elongated Toilet
Water per Flush	1.28 gpf (4.8 Lpf)
Rough-In	12"
Height	28 5/8"
Width	17 5/16"
Depth	28 7/8"
Trapway	2"
Large Water Surface	8 11/16" x 6 5/16"
Shipping weight Bowl	48.1 lbs
Shipping weight Tank	30.4 lbs

Accessories: (To be purchased separately)

N/A

Other Tank Options: (To be purchased separately)

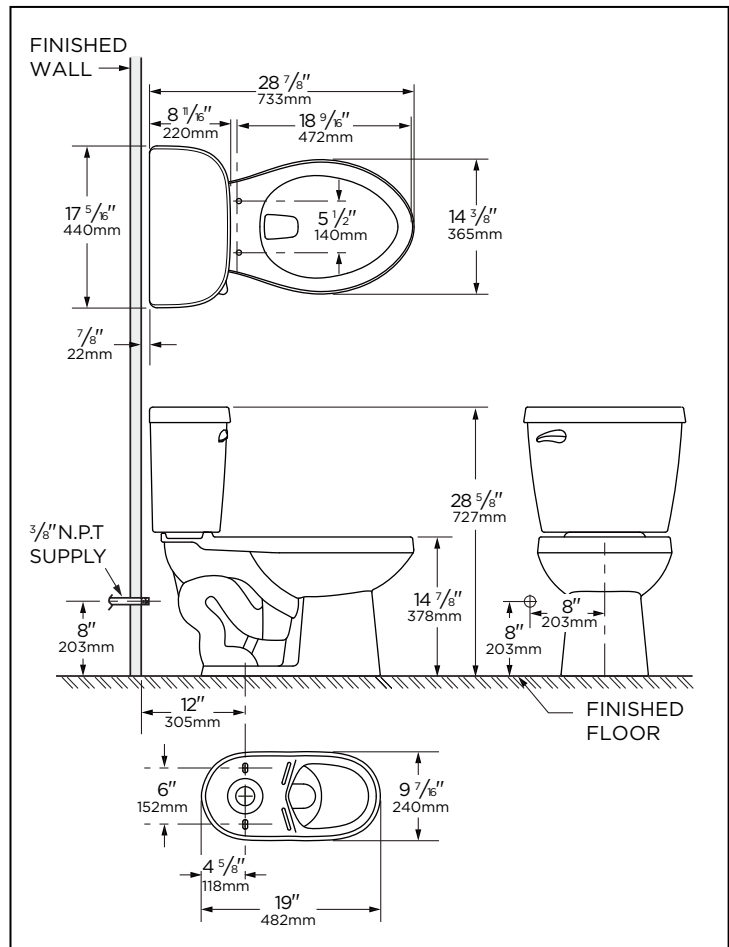
- Insulated Tank G0028992
- Tank with Right Hand Lever G002899097

Available Colors:

- White
- Other: Refer to Price Book for additional colors/finishes

Warranty:

- Limited Lifetime on Vitreous China, refer to the website for more details.



NOTES: All dimensions are in inches and millimeters. Illustrations may not be drawn to scale.

IMPORTANT:

Dimensions of fixtures are nominal and may vary within the range of tolerances established by ASME standard A 112.19.2 THIS FIXTURE QUALIFIES ACCORDING TO ASME TEST PROCEDURES AS A HIGH EFFICIENCY WATER CLOSET WITH AN AVERAGE CONSUMPTION OF 1.28 gpf (4.8 Lpf) OR LESS.