

ErgoHeight™ ADA Back Outlet Elongated Toilet

Features:

GUL20325

Included Components:

- Combination GUL20325
 - Bowl GUF21375
 - Tank GUF28380

- Vitreous China
- 4-1/4" Vertical Rough-in
- EcoFlush Pressure Vessel included
- Extra-Large Dual fed siphon jets for high power bowl clearing
- 100% glazed, 2" large trapway for clog-free waste removal
- Double nut, multi-point tank-to-bowl mounting system for tool-free installation
- Chrome, metal tank lever
- Toilet seat is not included



Technical Information:

Configuration	Two-piece, ErgoHeight™ ADA Back Outlet Elongated Toilet
Water per Flush	1.0 gpf (3.8 Lpf)
Rough-In	4 1/4"
Height	30 3/4"
Width	20 1/8"
Depth	30 3/8"
Trapway	2"
Large Water Surface	8 11/16" x 6 5/16"
Shipping weight Bowl	63.3 lbs
Shipping weight Tank	49.6 lbs

Accessories: (To be purchased separately)

- Slow Close Toilet Seat G0099213
- Non-Slow Close Toilet Seat G0099216

Other Tank Options: (To be purchased separately)

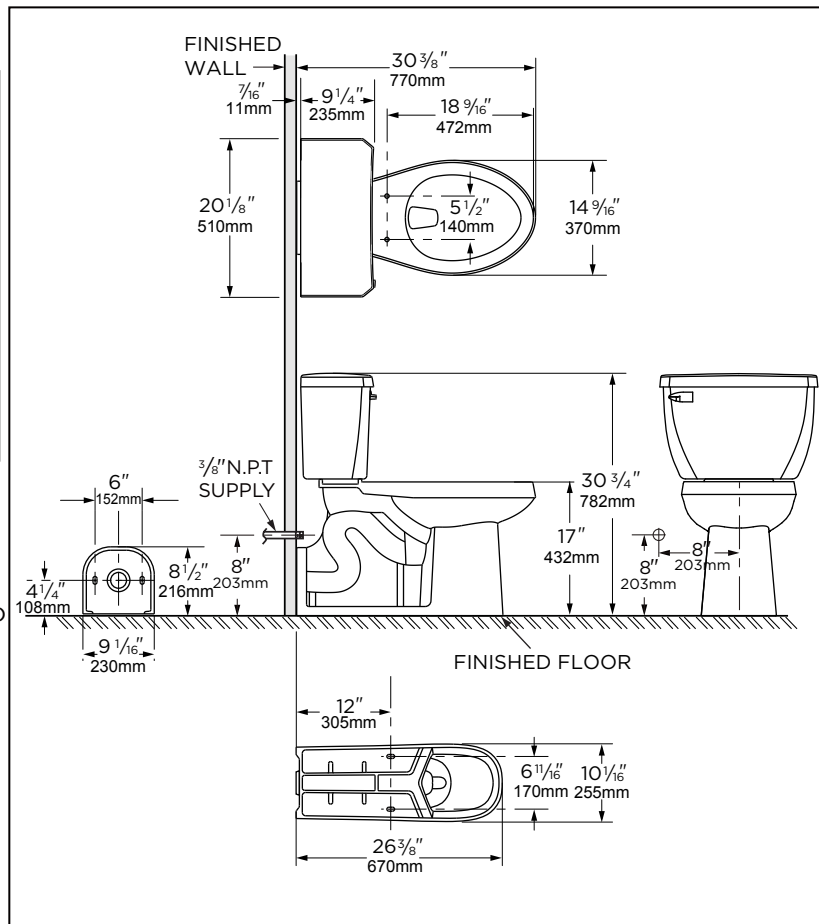
- Tank with Right Hand Lever GUF2838097

Available Colors:

- White
- Other: Refer to Price Book for additional colors/finishes

Warranty:

- Limited Lifetime on Vitreous China, refer to the website for more details.



HIGH EFFICIENCY TOILET



NOTES: All dimensions are in inches and millimeters. Illustrations may not be drawn to scale.

IMPORTANT:

Dimensions of fixtures are nominal and may vary within the range of tolerances established by ASME standard A 112.19.2 THIS FIXTURE QUALIFIES ACCORDING TO ASME TEST PROCEDURES AS A HIGH EFFICIENCY WATER CLOSET WITH AN AVERAGE CONSUMPTION OF 1.0 gpf (3.8 Lpf) OR LESS.