

**Features:**

**GHE20304**

Included Components:

- Combination      GHE20304
- Bowl            GUF21342
- Tank            GHE28384

- Vitreous China
- 14" Rough-In
- Flushmate Pressure Vessel included
- Extra-Large Dual fed siphon jets for high power bowl clearing
- 100% glazed, 2" large trapway for clog-free waste removal
- Double nut, multi-point tank-to-bowl mounting system for tool-free installation
- Chrome, metal tank lever
- Toilet seat is not included



**Technical Information:**

Configuration	Two-piece, Round Front Toilet
Water per Flush	1.28 gpf (4.8 Lpf)
Rough-In	14"
Height	28 5/8"
Width	20 1/4"
Depth	29 5/8"
Trapway	2"
Large Water Surface	8 11/16" x 6 5/16"
Shipping weight Bowl	47.9 lbs
Shipping weight Tank	53.4 lbs

**Accessories:** (To be purchased separately)

- Slow Close Toilet Seat      GC550129
- Non-Slow Close Toilet Seat    G0099217

**Other Tank Options:** (To be purchased separately)

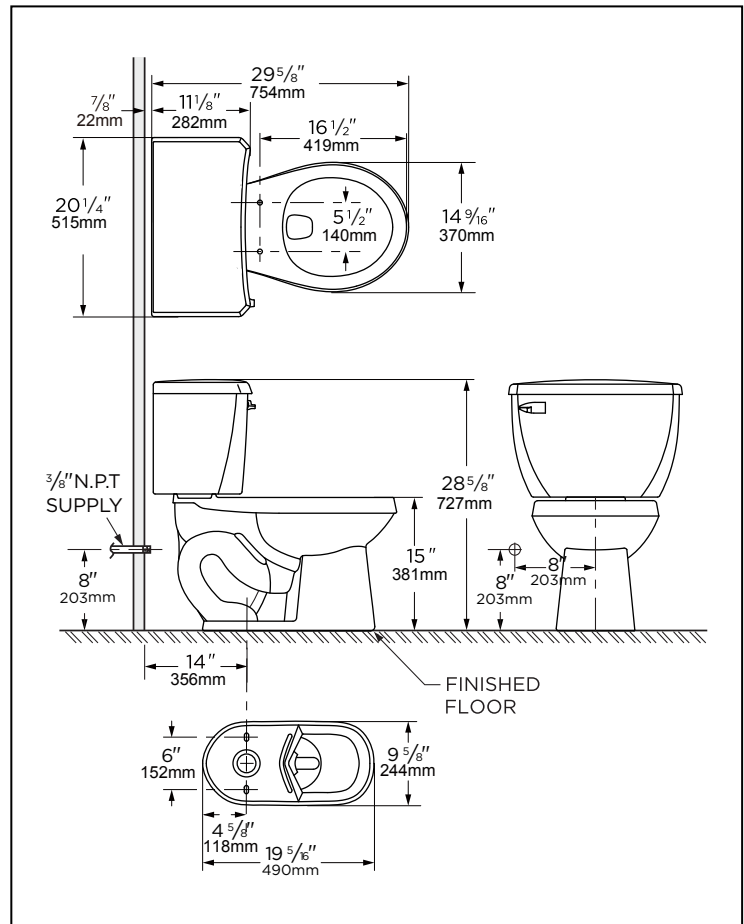
N/A

**Available Colors:**

- White
- Other: Refer to Price Book for additional colors/finishes

**Warranty:**

- Limited Lifetime on Vitreous China, refer to the website for more details.



**NOTES:** All dimensions are in inches and millimeters. Illustrations may not be drawn to scale.

**IMPORTANT:**

Dimensions of fixtures are nominal and may vary within the range of tolerances established by ASME standard A 112.19.2 THIS FIXTURE QUALIFIES ACCORDING TO ASME TEST PROCEDURES AS A HIGH EFFICIENCY WATER CLOSET WITH AN AVERAGE CONSUMPTION OF 1.28 gpf (4.8 Lpf) OR LESS.