



VITREOUS CHINA

TOILET  
**DF-21-318**

LAVATORIES

TOILETS

BIDETS / URINALS

CAST IRON

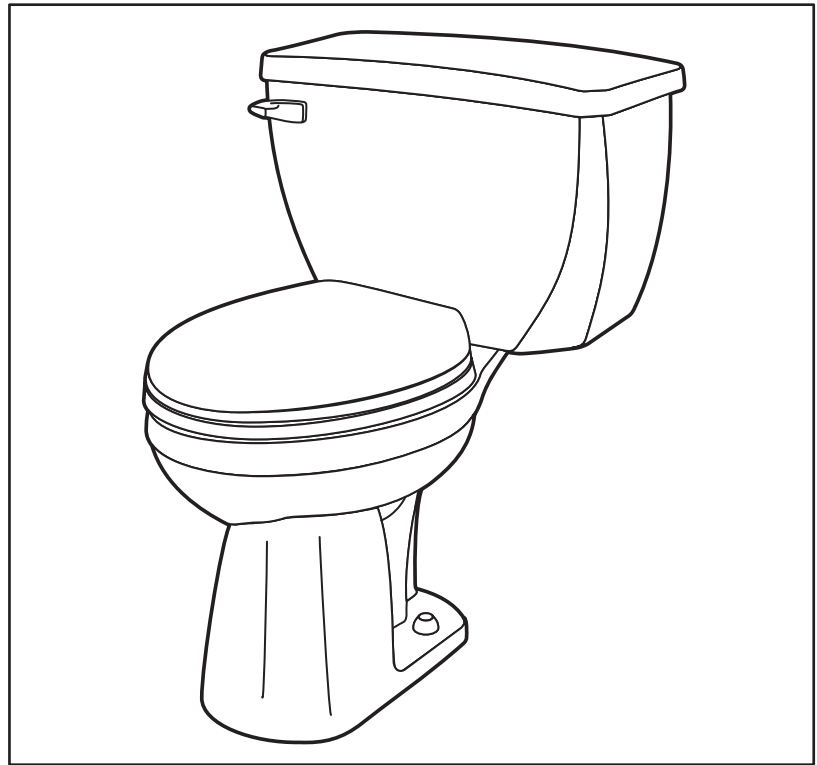


# ULTRA DUAL-FLUSH™ Pressure-Assist Toilet 17" High, Elongated

12" Rough-in

### Features:

- Low Consumption Dual-Flush (1.1/1.6 gpf) (4.0/6.0 Lpf)
- Elongated Bowl
- Extra Seat Height
- Pressurized Flushing Action
- Close Coupled Flushometer Tank
- Siphon Jet
- Front Tank Lever
- Available With Tank Lever On Right Side - By Special Order
- 2 Bolt Caps



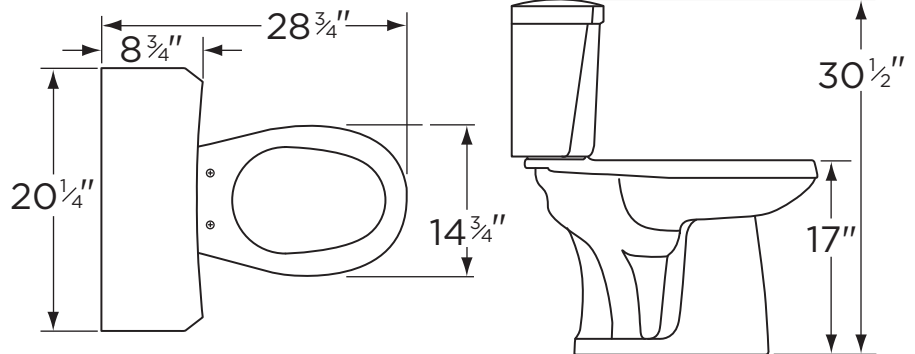
### Dimensions:

- Height ..... 30 1/2"
- Width ..... 20 1/4"
- Depth ..... 28 3/4"
- Rough-in ..... 12"
- Water Surface from Rim .... 4 1/2"
- Trapway (min)..... 2"
- Water Surface ..... 12" x 10"
- Water Seal ..... 2 1/2"
- Shipping Weight ..... 94 lbs

**Specifications:** Bowl—#21-377 Elongated Bowl      Tank—#DF-28-380  
Seat not included

### Warranty:

- Limited Lifetime Warranty



THIS FIXTURE QUALIFIES ACCORDING TO ASME TEST PROCEDURES AS A LOW CONSUMPTION WATER CLOSET WITH AN AVERAGE CONSUMPTION OF 1.6 gpf (6 Lpf) OR LESS.

HIGH EFFICIENCY TOILET  
**HET**



www.gerberonline.com

Job Name	
Date	
Model Specified	
Quantity	
Customer	
Contractor	
Architect/engineer	



1.1/1.6 gpf (4.0/6.0 Lpf) LOW CONSUMPTION  
ULTRA DUAL-FLUSH™ TOILET

DF-21-318

17" High Elongated, 12" Rough-in  
(Bowl 21-377 with Tank DF-28-380)

