



VITREOUS CHINA

TOILET
DF-21-312

LAVATORIES

TOILETS

BIDETS / URINALS

CAST IRON



ULTRA DUAL-FLUSH™ Pressure-Assist Toilet Elongated

12" Rough-in

Features:

- Low Consumption Dual-Flush (1.1/1.6 gpf) (4.0/6.0 Lpf)
- Elongated Bowl
- Pressurized Flushing Action
- Close Coupled Flushometer Tank
- Siphon Jet
- Front Tank Lever
- 2 Bolt Caps

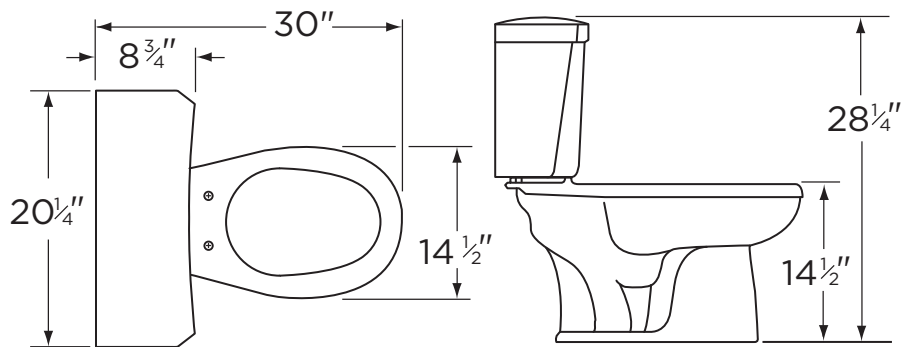
Dimensions:

Height	28 1/4"
Width	20 1/4"
Depth	30"
Rough-in	12"
Water Surface from Rim	4 1/2"
Trapway (ave)*	3 1/3"
Trapway (min)	2"
Water Surface	12 1/2" x 10 1/2"
Water Seal	2 1/2"
Shipping Weight	90 lbs

*Average diameter of 26 equally spaced points throughout the trapway of 3 randomly selected bowls



Specifications: Bowl—#21-372 Elongated Bowl Tank—#DF-28-380
Seat not included



THIS FIXTURE QUALIFIES ACCORDING TO ASME TEST PROCEDURES AS A LOW CONSUMPTION WATER CLOSET WITH AN AVERAGE CONSUMPTION OF 1.6 gpf (6 Lpf) OR LESS.

HIGH EFFICIENCY TOILET
HET



www.gerberonline.com

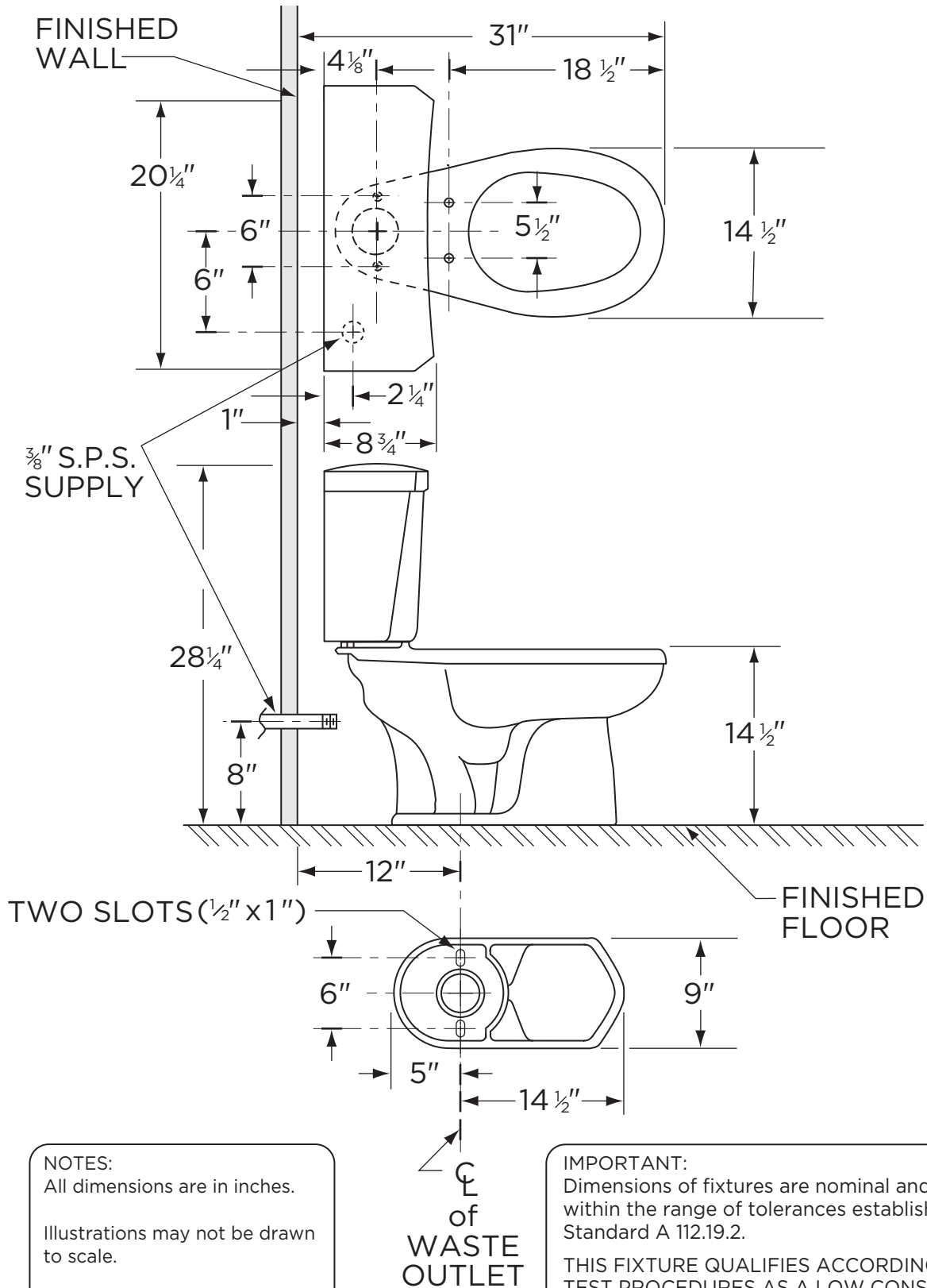
Job Name	
Date	
Model Specified	
Quantity	
Customer	
Contractor	
Architect/engineer	



1.1/1.6 gpf (4.0/6.0 Lpf) LOW
CONSUMPTION ULTRA DUAL-FLUSH™ TOILET

DF-21-312

Elongated, 12" Rough-in
(Bowl 21-372 with Tank DF-28-380)



NOTES:
All dimensions are in inches.
Illustrations may not be drawn to scale.

IMPORTANT:
Dimensions of fixtures are nominal and may vary within the range of tolerances established by ASME Standard A 112.19.2.
THIS FIXTURE QUALIFIES ACCORDING TO ASME TEST PROCEDURES AS A LOW CONSUMPTION WATER CLOSET WITH AN AVERAGE CONSUMPTION OF 1.6 gpf (6 Lpf) OR LESS.