



VITREOUS CHINA

TOILET  
**DF-21-112**

LAVATORIES

TOILETS

BIDETS / URINALS

CAST IRON

## MAXWELL® DUAL FLUSH Elongated Toilet

12" Rough-in

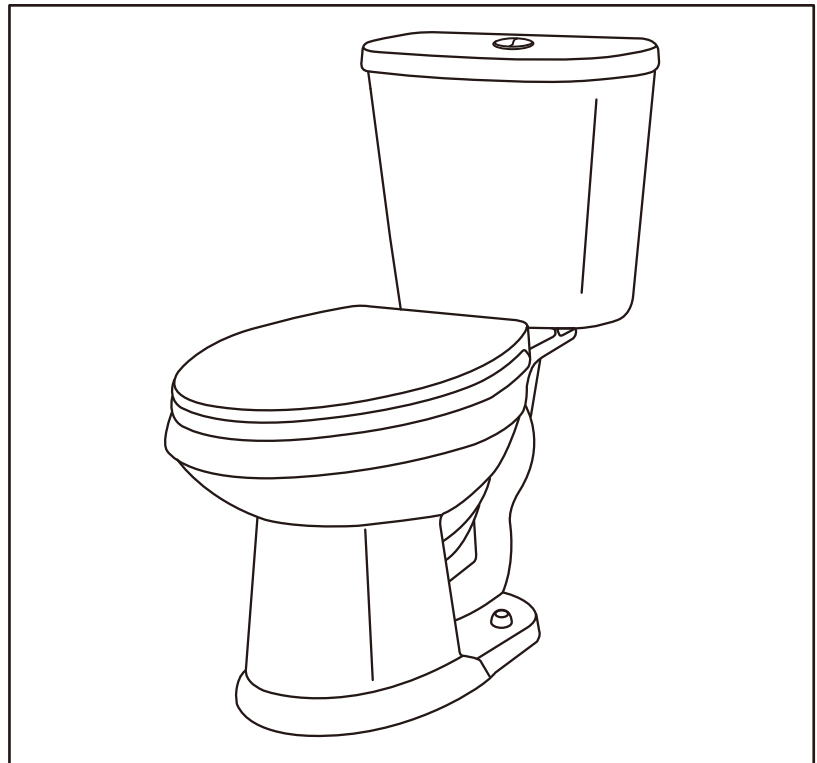


### Features:

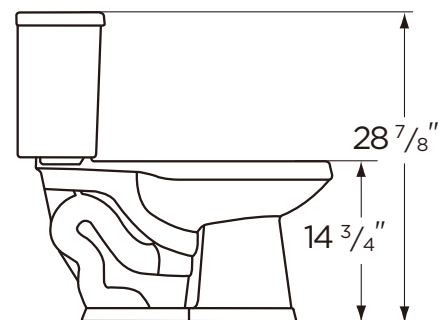
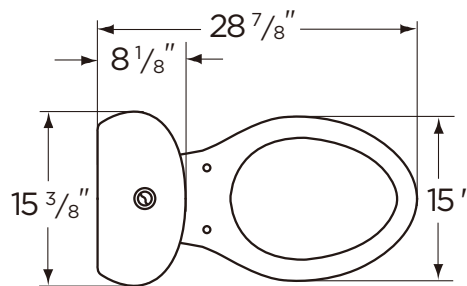
- Dual Flush 1.1/1.6 gpf (4.0/6.0 Lpf)
- High Efficiency Toilet (HET)
- Elongated Front Bowl
- Glazed Trapway
- Reverse Trap
- Front Jet Flushing Action
- Top Mounted, Two-button Actuator
- Syphonic Flush Action Keeps Bowl Clean
- Available in White and Biscuit
- 2 Bolt Caps

### Dimensions:

Height .....28 7/8"  
 Width .....15 3/8"  
 Depth .....28 7/8"  
 Rough-in .....12"  
 Water Surface from Rim .... 5 1/2"  
 Trapway ..... 1 3/4"  
 Water Surface .....11" x 8"  
 Water Seal .....2 1/2"  
 Shipping Weight ..... 69.5 lbs



**Specifications:** Bowl—#21-162 Elongated Bowl      Tank—#DF-28-190  
 Seat not included



THIS FIXTURE QUALIFIES  
 ACCORDING TO ASME TEST  
 PROCEDURES AS A HIGH-  
 EFFICIENCY WATER CLOSET  
 WITH AN AVERAGE CONSUMPTION  
 OF 1.28 gpf (4.8 Lpf) OR LESS.



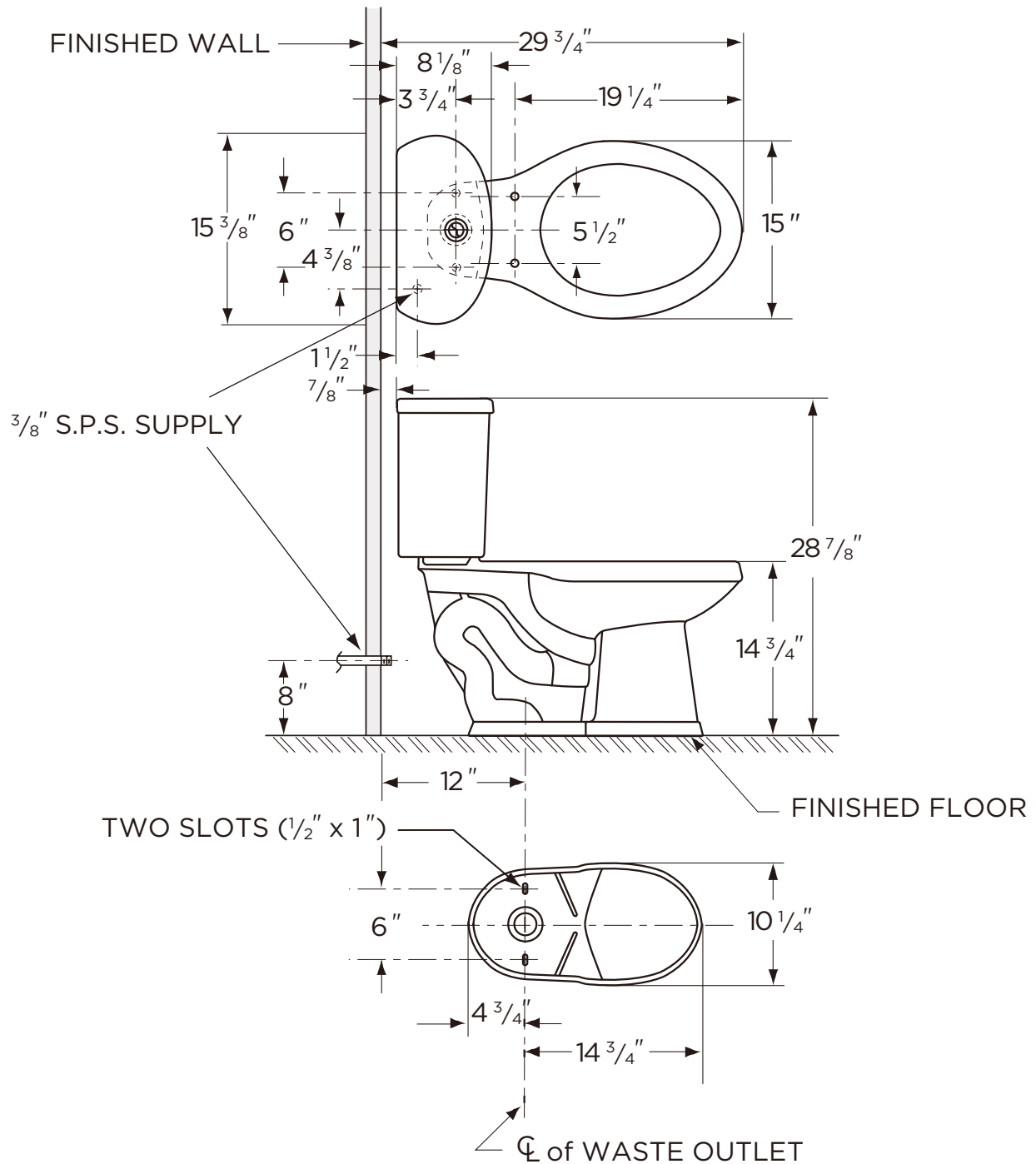
www.gerberonline.com

Job Name	
Date	
Model Specified	
Quantity	
Customer	
Contractor	
Architect/engineer	



1.1/1.6 gpf (4.0/6.0 Lpf) MAXWELL® DUAL-FLUSH TOILET

DF-21-112  
Elongated, 12" Rough-in  
(Bowl 21-162 with Tank DF-28-190)



NOTES:  
All dimensions are in inches.  
Illustrations may not be drawn to scale.

IMPORTANT:  
Dimensions of fixtures are nominal and may vary within the range of tolerances established by ASME Standard A 112.19.2.  
THIS FIXTURE QUALIFIES ACCORDING TO ASME TEST PROCEDURES AS A HIGH-EFFICIENCY WATER CLOSET WITH AN AVERAGE CONSUMPTION OF 1.28 gpf (4.8 Lpf) OR LESS.