

# GERBER

VITREOUS CHINA  
TOILET  
**DF-20-117**

LAVATORIES

TOILETS

BIDETS / URINALS

CAST IRON



## MAXWELL® DUAL FLUSH Gravity Toilet 16 1/2" Elongated ErgoHeight™

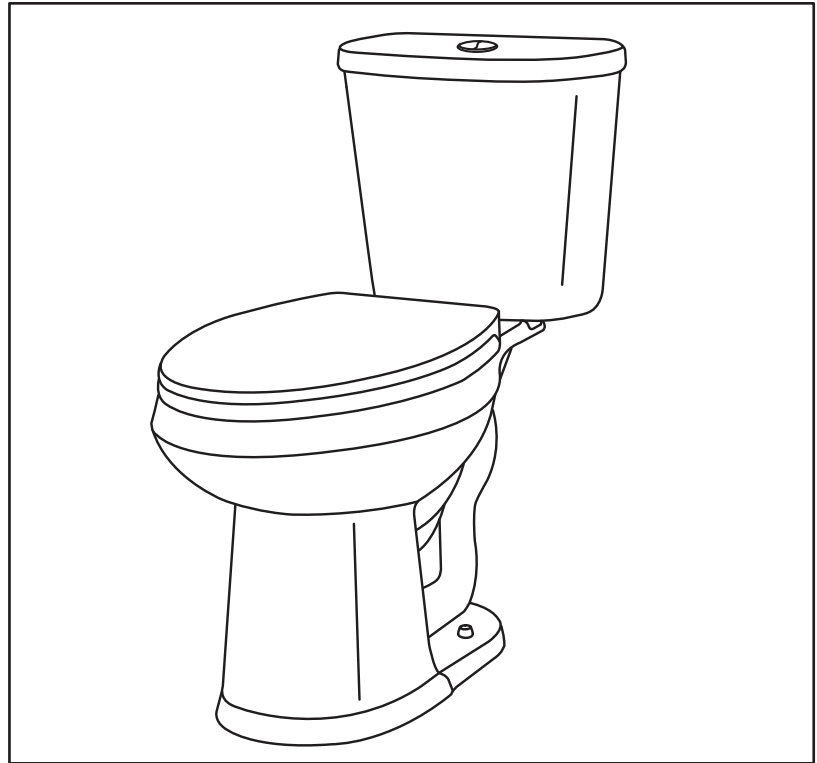
10" Rough-in

### Features:

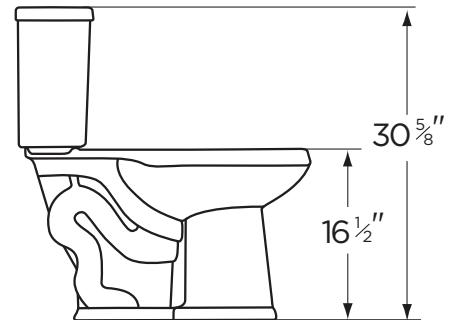
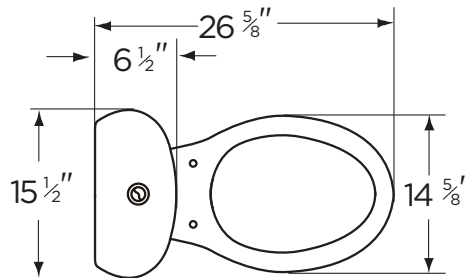
- Dual Flush 1.1/1.6 gpf (4.0/6.0 Lpf)
- High Efficiency Toilet (HET)
- Elongated ErgoHeight™ Bowl
- Glazed Trapway
- Reverse Trap
- Front Jet Flushing Action
- Top Mounted, Two-button Actuator
- Siphonic Flush Action Keeps Bowl Clean
- Available in White
- 2 Bolt Caps
- Seat not included

### Dimensions:

Height ..... 30 5/8"  
 Width ..... 15 1/2"  
 Depth ..... 26 5/8"  
 Rough-in ..... 10"  
 Water Surface from Rim ..... 6"  
 Trapway ..... 1 3/4"  
 Water Surface ..... 10 3/8" x 7 3/4"  
 Water Seal ..... 2 1/4"  
 Shipping Weight ..... 67.5 lbs



**Specifications:** Bowl—#SE- 21-128 Elongated ErgoHeight™  
 Tank—#DF-28-195



THIS FIXTURE QUALIFIES ACCORDING TO ASME TEST PROCEDURES AS A WATER CLOSET WITH AN AVERAGE CONSUMPTION OF 1.6 gpf (6 Lpf) OR LESS.



www.gerberonline.com

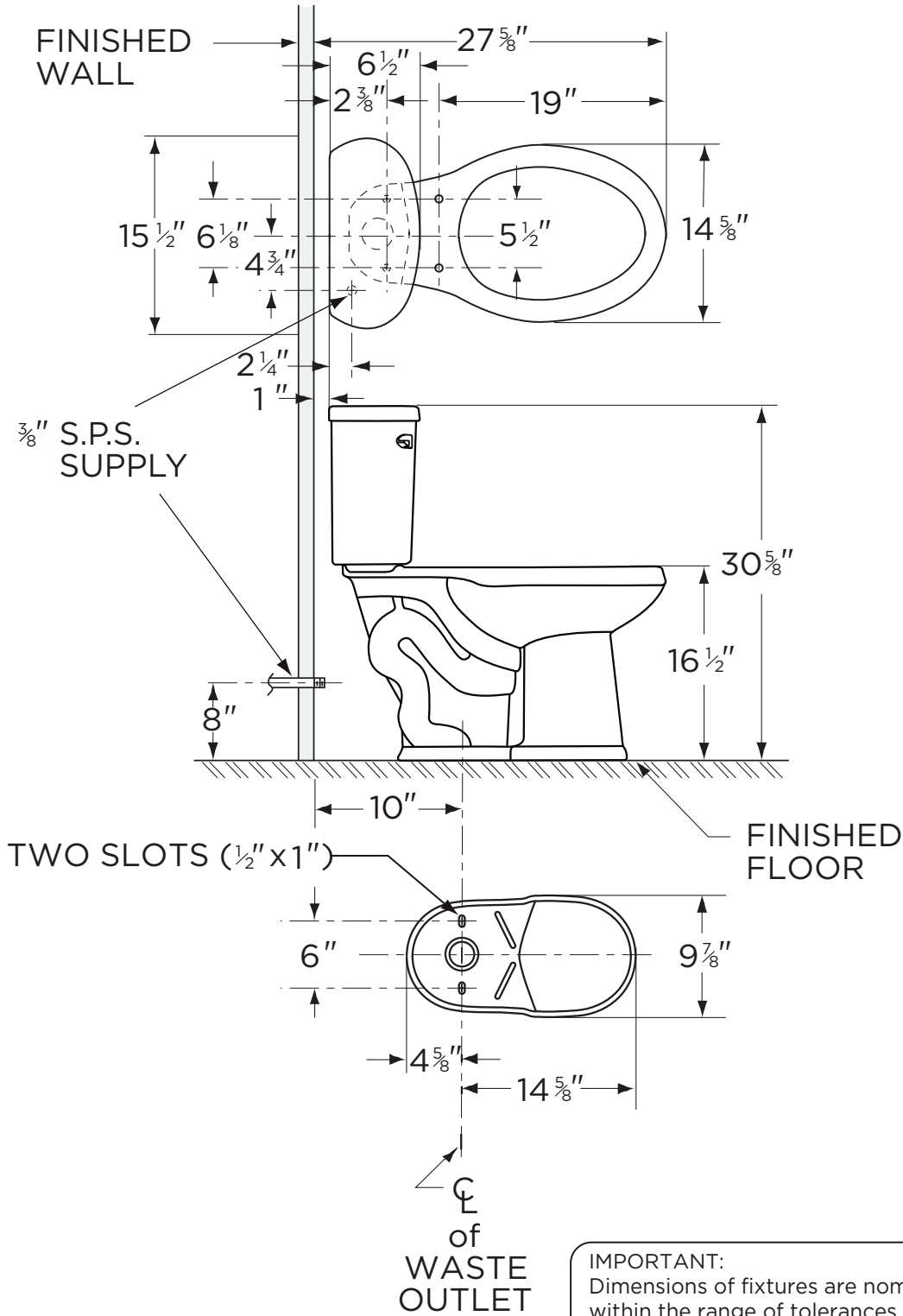
Job Name	
Date	
Model Specified	
Quantity	
Customer	
Contractor	
Architect/engineer	

# GERBER®

1.1/1.6 gpf (4.0/6.0 Lpf) Mawell® Dual Flush Toilet

DF-20-117

16 1/2" Elongated ErgoHeight™, 10" Rough-in  
(Bowl SE-21-128 with Tank DF-28-195)



NOTES:  
All dimensions are in inches.  
Illustrations may not be drawn to scale.

**IMPORTANT:**  
Dimensions of fixtures are nominal and may vary within the range of tolerances established by ASME Standard A 112.19.2.

THIS FIXTURE QUALIFIES ACCORDING TO ASME TEST PROCEDURES AS A WATER CLOSET WITH AN AVERAGE CONSUMPTION OF 1.6 gpf (6 Lpf) OR LESS.