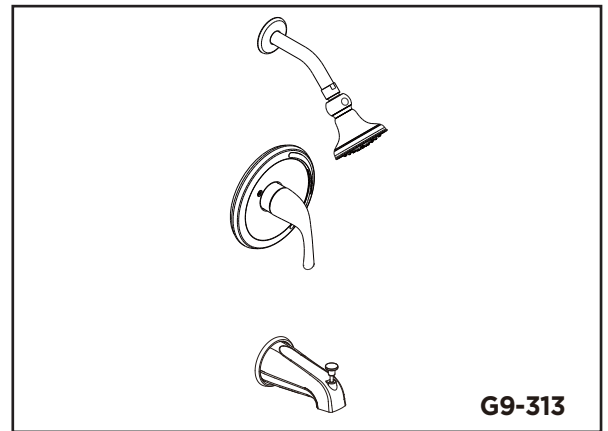




Features:

- Chrome finish
- 3 1/2" faceplate
- Shower at 2.5 gpm @ 80 psi
- Fit Gerber *PLUS*™ washerless valves GS-324/GS-325 and ceramic valves GH-301, GH-305
- Single function showerhead
- Metal lever handle
- 4 3/4" tub spout length
- Diverter tub spout in thread/slip combination and metal construction
- Back to back capability
- Fully ADA compliant
- Limited lifetime warranty



Standards & Certifications:

- ASME A112.18.1M
- ICC/ANSI A117.1
- IAPMO/cUPC
- MASS Code

Catalog Numbers:

- G9-310** Single Handle & Flange Trim Kit, Chrome
- G9-310-BN** Single Handle & Flange Trim Kit, Brushed Nickel
- G9-312** Single Handle Shower Only Trim Kit, Chrome
- G9-312-BN** Single Handle Shower Only Trim Kit, Brushed Nickel
- G9-312-LS** Single Handle Shower Only Trim Kit, Less Showerhead, Chrome
- G9-312-LS-BN** Single Handle Shower Only Trim Kit, Less Showerhead, Brushed Nickel
- G9-313** Single Handle Tub/shower Trim Kit, Chrome
- G9-313-BN** Single Handle Tub/shower Trim Kit, Brushed Nickel
- G9-313-LS** Single Handle Tub/shower Trim Kit, Less Showerhead, Chrome
- G9-313-LS-BN** Single Handle Tub/shower Trim Kit, Less Showerhead, Brushed Nickel

Prefixes Available:

None

Suffixes Available:

BN: Brushed Nickel
LS: Less Showerhead

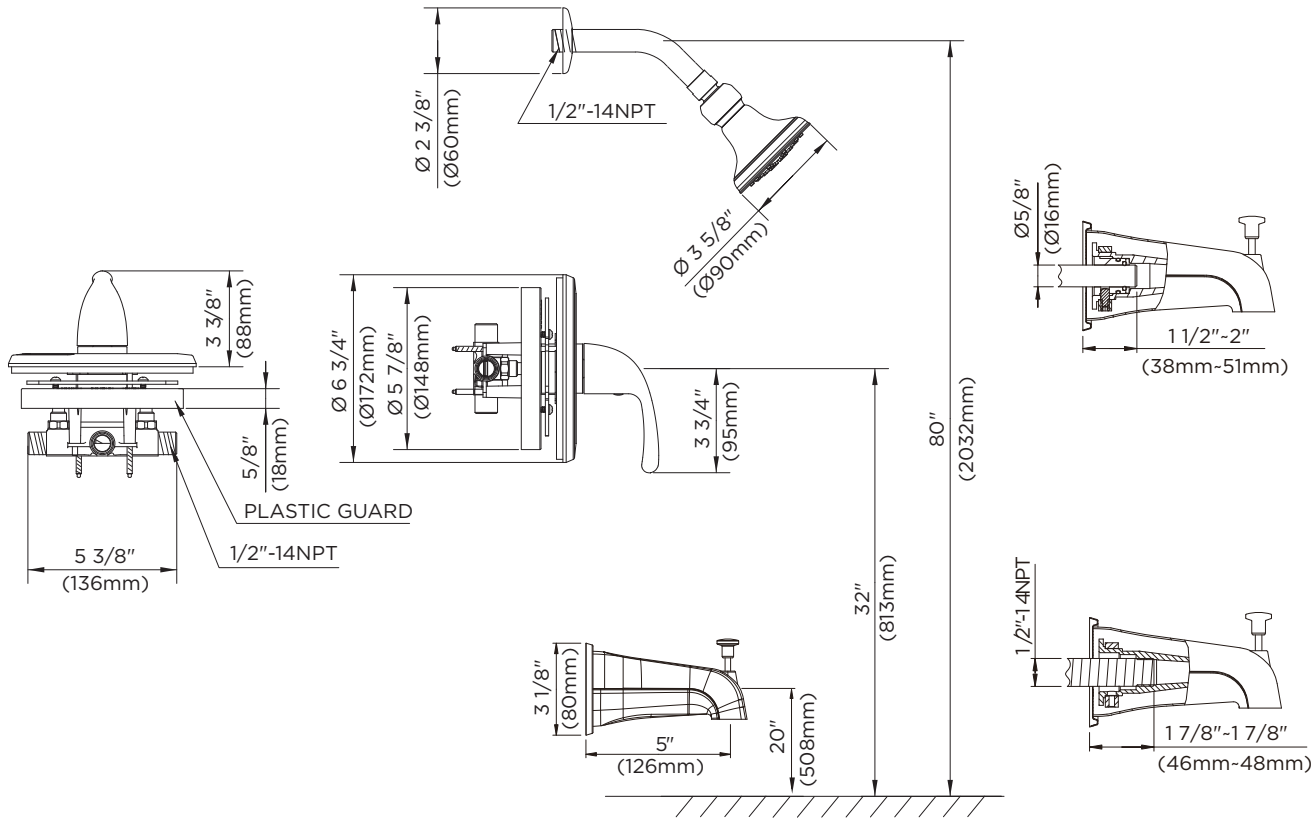
Job Name	
Date	
Model Specified	
Quantity	
Customer	
Contractor	
Architect/engineer	



GERBER

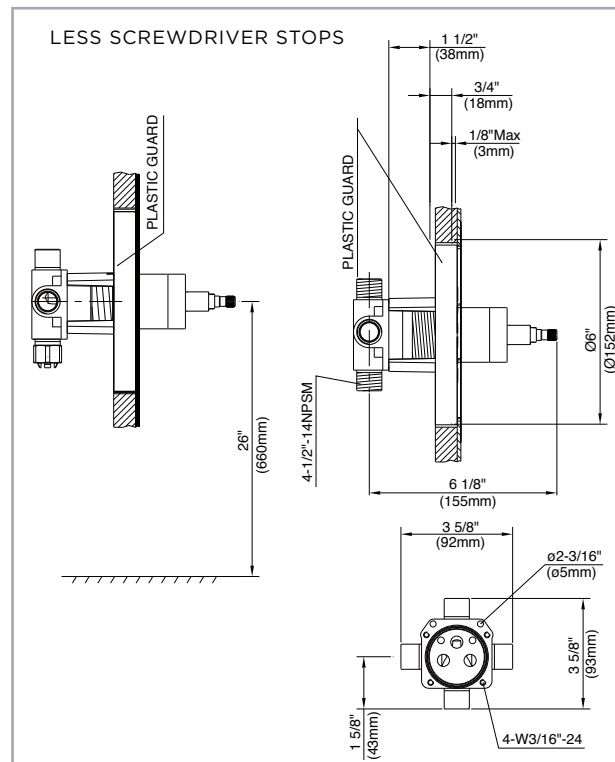
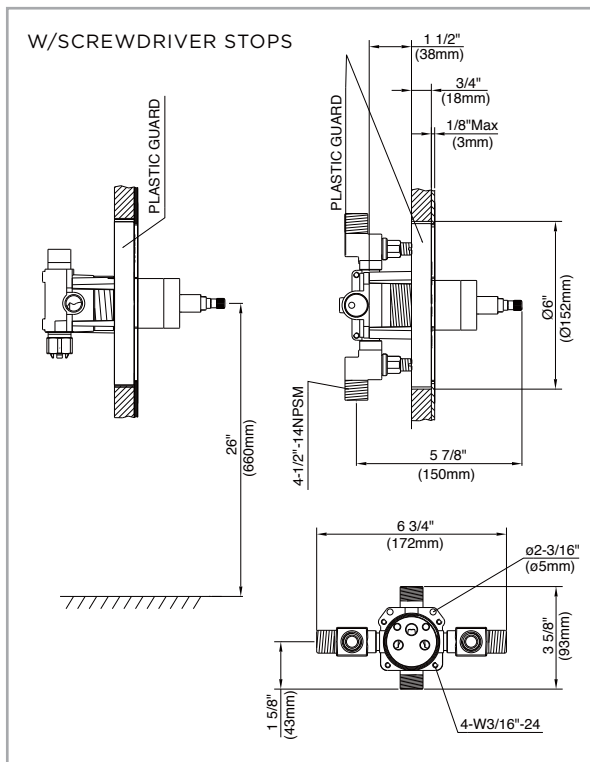
Maxwell™

Tub/Shower Fitting



SINGLE HANDLE PRESSURE BALANCE TUB & SHOWER VALVES

Critical Dimensions : Rough-in valve GH-305 (w/stops) & GH-301 (Less stops)





GERBER PLUS™ VALVES

Critical Dimensions : Rough-in valve GS-325 (w/stops) & GS-324 (w/stops)

