



Roman Tub Hand Shower

Features:

- Metal base construction
- Chrome or brushed nickel finish available
- Max deck thickness 2 1/2"
- Hose length 72 1/16"
- 2.5 GPM (9.3 LPM) maximum @ 80 psi

Standards & Certifications:

None

Catalog Numbers:

49-207 Hand held shower assembly, with base, Chrome

49-207-BN Hand held shower assembly, with base, Brushed nickel

Prefixes Available:

None

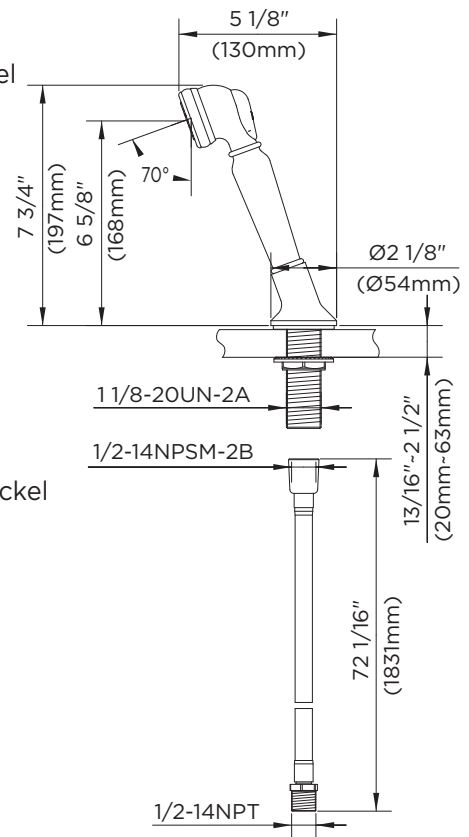
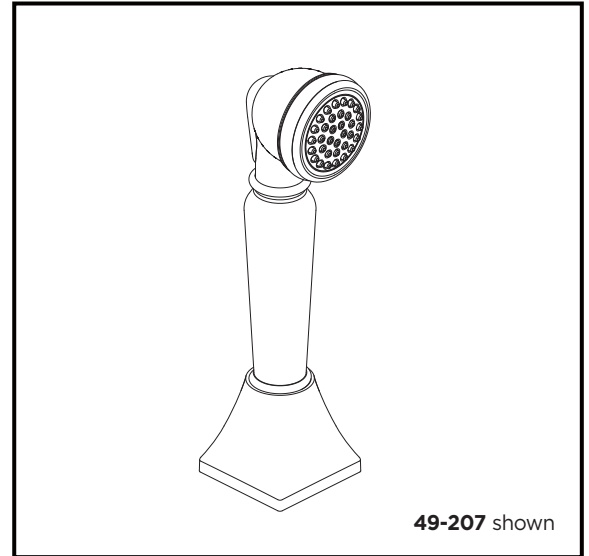
Suffixes Available:

None

Used in Faucet:

97-593 Handle shower rough in, hose and holder, Chrome

97-593-BN Handle shower rough in, hose and holder, Brushed nickel



Job Name	
Date	
Model Specified	
Quantity	
Customer	
Contractor	
Architect/engineer	