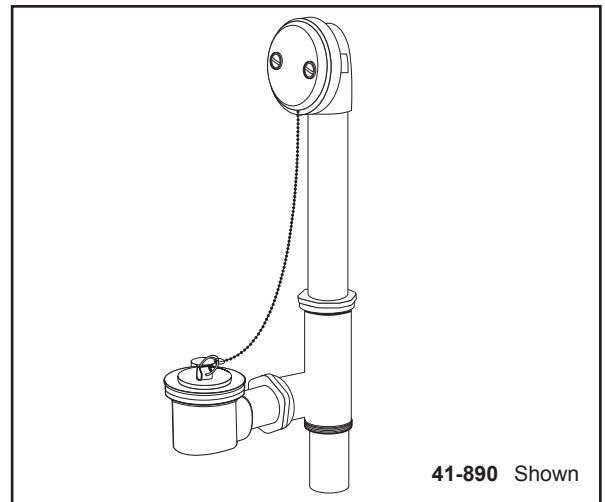


Features:

- Fits most tubs 14" to 16" high
- 1-1/2" brass tubing in 17 and 20 Gauges
- Patented adjustable self-retaining rubber head gasket
- Cast brass shoe plug
- Heavy duty cast red brass head, tee and shoe
- Cast red brass coupling nuts supplied with 17 Gauge Tubing
- Plated zinc coupling nuts supplied with 20 Gauge tubing
- Solid rubber stopper with metal post
- Heavy duty chain
- Partially assembled in carton
- Compartmentalized packaging
- Available in Chrome only



Technical Specifications:

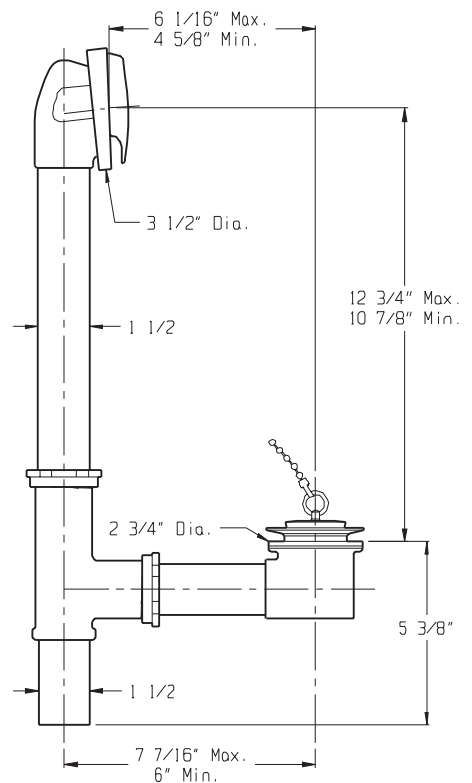
- CSA B125-93

Catalog Numbers:

- 41-890 17 Gauge (Chrome)
- 41-895 20 Gauge (Chrome)

Suffixes Available:

- 70 Female Outlet Tee
- 71 Philadelphia Trap
- 72 Condensate Head (3/4" Inlet)
- 74 Philadelphia Tee (3 Nuts & Washers, Less Tailpiece, Full 1 1/2" Wtrwy)
- 75 Brass Ferrules
- 76 Retaining Ring (Compliance w/Chicago Code In Special finishes)
- 77 6" Tailpiece
- 78 10" Tailpiece
- 79 12" Tailpiece
- 87 Horizontal Installation (Excluding Trip Lever & Plastic)
- 88 "Clean-out Here" on Face Plate w/Retaining Ring
(Chicago Code Chrome Only)
- 91 Brass Nuts in Place of Brass-Plated Nuts (Std On 17 Ga)
- 97 Side Outlet Installation
(Excluding Trip Lever & Plastic)



Job Name	
Date	
Model Specified	
Quantity	
Customer	
Contractor	
Architect/engineer	

GERBER®

PROFESSIONAL PERFORMANCE

Gerber Toll Free Technical Support: 888-648-6466
www.gerberonline.com