

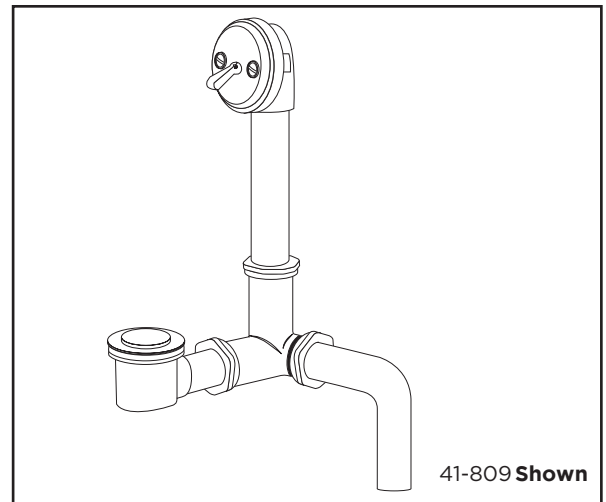


GERBER

41-807 Series Pop-up Bath Drains (Side Outlet-Right or Left)

Features:

- Fits most tubs 14" to 16" high
- 1-1/2" brass tubing in 17 and 20 Gauges
- Patented adjustable self-retaining rubber head gasket
- Patented pre-adjustable linkage
- Cast brass pop-up and shoe plug
- Heavy duty, highly polished face plate
- Extra long plunger stroke
- Heavy duty cast red brass head, tee and shoe
- Cast red brass coupling nuts supplied with 17 Gauge Tubing
- Plated zinc coupling nuts supplied with 20 Gauge tubing
- Partially assembled in carton
- Compartmentalized packaging
- Available in Chrome, Polished Brass, White, Biscuit and Brushed Nickel

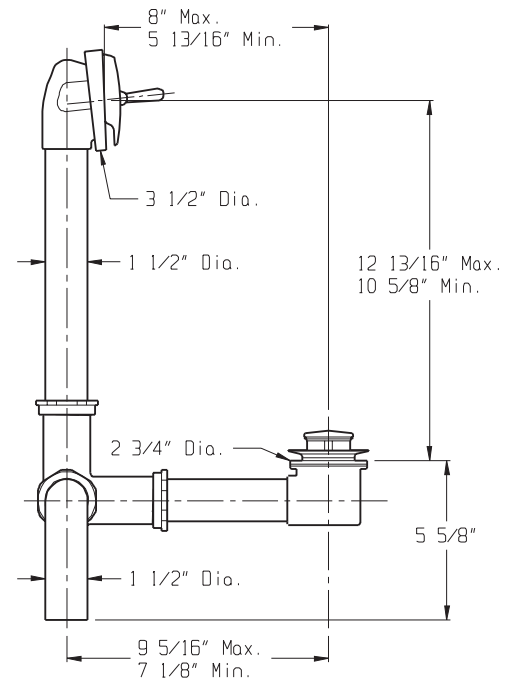
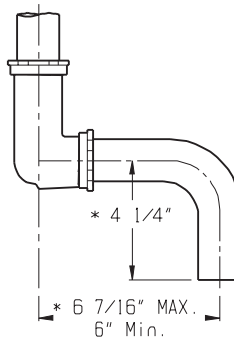


Technical Specifications:

- IAPMO/cUPC

Catalog Numbers:

- 41-807** 20 Gauge (Chrome), Plated Zinc Nuts
- 41-807-91** 20 Gauge (Chrome), Brass Nuts
- 41-809** 17 Gauge (Chrome), Brass Nuts
- 81-717** 17 Gauge (Polished Brass), Brass Nuts
- A1-711** 17 Gauge (Biscuit), Brass Nuts
- N1-809** 17 Gauge (Brushed Nickel), Brass Nuts
- W1-711** 17 Gauge (White), Brass Nuts



NOTE: * Lengths may increase or decrease by 3/4" depending upon elbow orientation.

Suffixes Available:

- 91 Brass Nuts in Place of Brass-Plated Nuts (std on 17GA)

Job Name	
Date	
Model Specified	
Quantity	
Customer	
Contractor	
Architect/engineer	

Gerber Toll Free Technical Support: 888-648-6466
www.gerberonline.com