

Features:

G0020304

Included Components:

- Combination G0020304
- Bowl GUF21342
- Tank G0028384

- Vitreous China
- 14" Rough-In
- Flushmate Pressure Vessel included
- Extra-Large Dual fed siphon jets for high power bowl clearing
- 100% glazed, 2" large trapway for clog-free waste removal
- Double nut, multi-point tank-to-bowl mounting system for tool-free installation
- Chrome, metal tank lever
- Toilet seat is not included



Technical Information:

Configuration	Two-piece, Round Front Toilet
Water per Flush	1.6 gpf (6.0 Lpf)
Rough-In	14"
Height	28 3/8"
Width	20 1/8"
Depth	29 3/4"
Trapway	2"
Large Water Surface	8 11/16" x 6 5/16"
Shipping weight Bowl	47.9 lbs
Shipping weight Tank	49 lbs

Accessories: (To be purchased separately)

- Slow Close Toilet Seat GC550129
- Non-Slow Close Toilet Seat G0099217

Other Tank Options: (To be purchased separately)

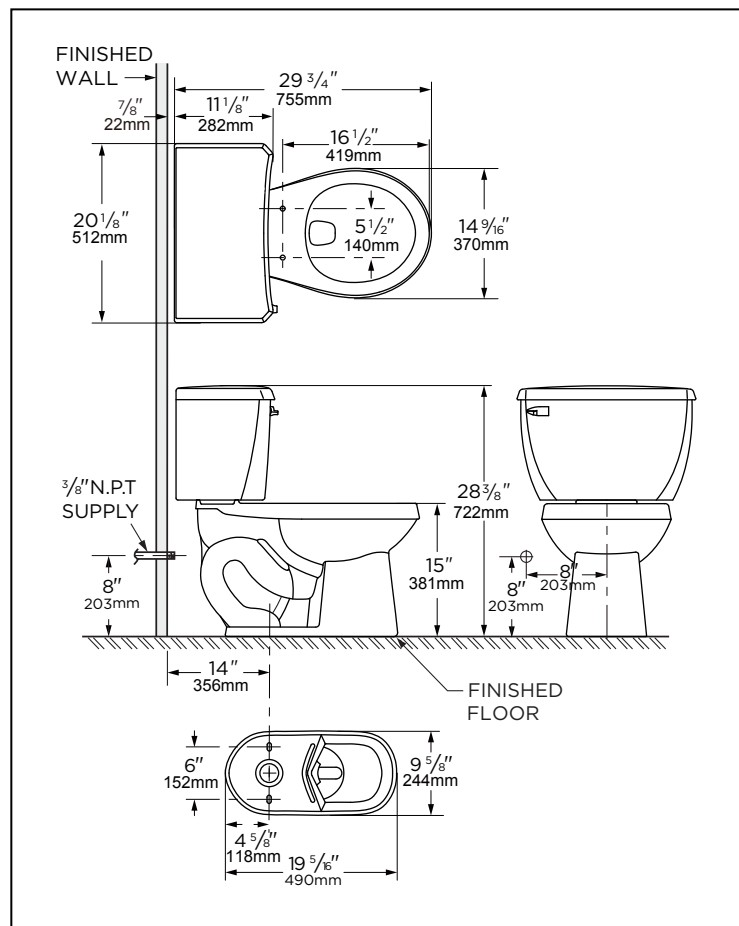
N/A

Available Colors:

- White
- Other: Refer to Price Book for additional colors/finishes

Warranty:

- Limited Lifetime on Vitreous China, refer to the website for more details.



NOTES: All dimensions are in inches and millimeters. Illustrations may not be drawn to scale.

IMPORTANT:

Dimensions of fixtures are nominal and may vary within the range of tolerances established by ASME standard A 112.19.2 THIS FIXTURE QUALIFIES ACCORDING TO ASME TEST PROCEDURES AS A LOW CONSUMPTION WATER CLOSET WITH AN AVERAGE CONSUMPTION OF 1.6 gpf (6.0 Lpf) OR LESS.