

**Features:**

**G0020300**

Included Components:

- Combination      G0020300
  - Bowl              GUF21342
  - Tank              G0028385

- Vitreous China
- 10" Rough-In
- Flushmate Pressure Vessel included
- Extra-Large Dual fed siphon jets for high power bowl clearing
- 100% glazed, 2" large trapway for clog-free waste removal
- Double nut, multi-point tank-to-bowl mounting system for tool-free installation
- Chrome, metal tank lever
- Toilet seat is not included



**Technical Information:**

|                      |                               |
|----------------------|-------------------------------|
| Configuration        | Two-piece, Round Front Toilet |
| Water per Flush      | 1.6 gpf (6.0 Lpf)             |
| Rough-In             | 10"                           |
| Height               | 29"                           |
| Width                | 20 1/8"                       |
| Depth                | 25 3/4"                       |
| Trapway              | 2"                            |
| Large Water Surface  | 8 11/16" x 6 5/16"            |
| Shipping weight Bowl | 47.9 lbs                      |
| Shipping weight Tank | 46.1 lbs                      |

**Accessories:** (To be purchased separately)

- Slow Close Toilet Seat      GC550129
- Non-Slow Close Toilet Seat      G0099217

**Other Tank Options:** (To be purchased separately)

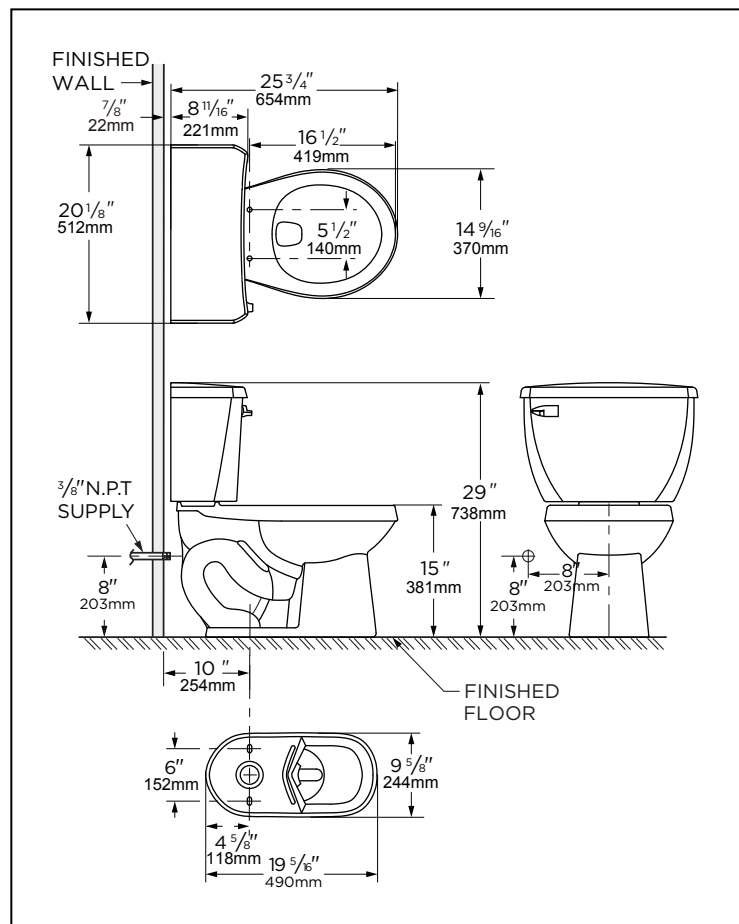
N/A

**Available Colors:**

- White
- Other: Refer to Price Book for additional colors/finishes

**Warranty:**

- Limited Lifetime on Vitreous China, refer to the website for more details.



**NOTES:** All dimensions are in inches and millimeters. Illustrations may not be drawn to scale.

**IMPORTANT:**

Dimensions of fixtures are nominal and may vary within the range of tolerances established by ASME standard A 112.19.2 THIS FIXTURE QUALIFIES ACCORDING TO ASME TEST PROCEDURES AS A LOW CONSUMPTION WATER CLOSET WITH AN AVERAGE CONSUMPTION OF 1.6 gpf (6.0 Lpf) OR LESS.