

SPECIFICATIONS



Features/Benefits

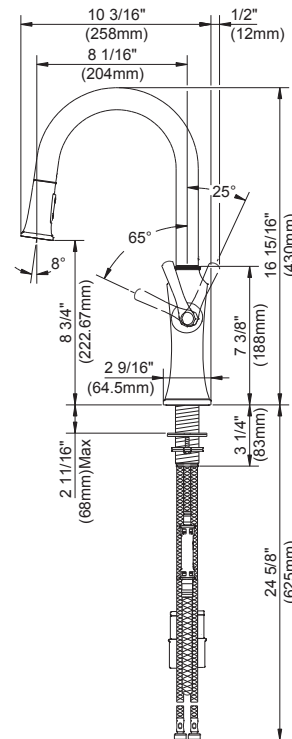
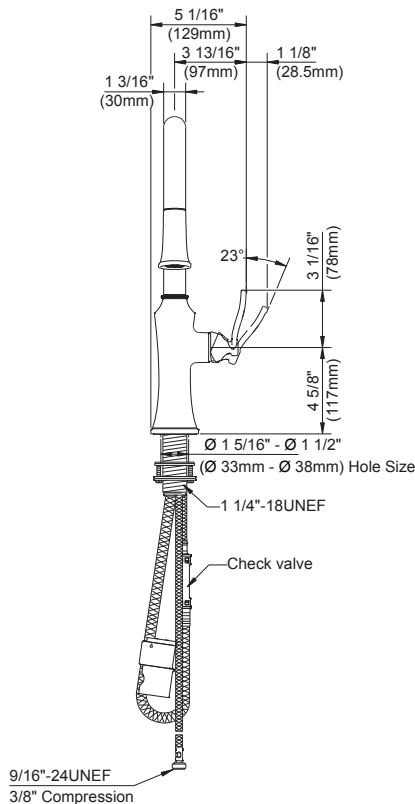
- DockForce® Magnetic Docking Technology
- SnapBack® Retraction System
- Easily Adjustable GripLock® Weight
- 16 15/16" Spout Height, 8 1/16" Spout Reach
- 1.75 gpm (6.6 L/min) Max Flow @ 60 psi
- 2 Function Spray/Aerated Stream
- Ceramic Disc Cartridge
- 360 Degree Swivel Spout
- Single Hole Installation
- Optional Deck Plate, DA607955, Sold Separately

Available Color/Finishes

Chrome

Please see gerberonline.com or current price list for available finishes. Finish is defined by additional suffix.

Standards & Certifications



Submittal Information:

Name: _____
Location: _____

Contractor: _____
Contact #: _____