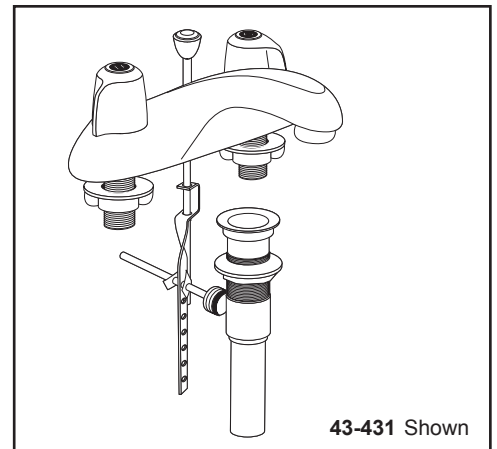


Features:



- Cast brass, heavy chrome plated body
- Metal handles with acrylic hot and cold index buttons
- Compression stems with renewable brass seats
- Working parts can be easily replaced
- 4" centers for mounting
- 2.2gpm (8.3 L/min) @ 60 psi maximum aerator
- ADA compliant handles operate with less than 5 lbs. force

Technical Specifications:


- ASME A112.18.1M
- CABO/ANSI A117.1 (ADA)
- CSA B125
- ANSI/NSF 61-1997b



Catalog Numbers:

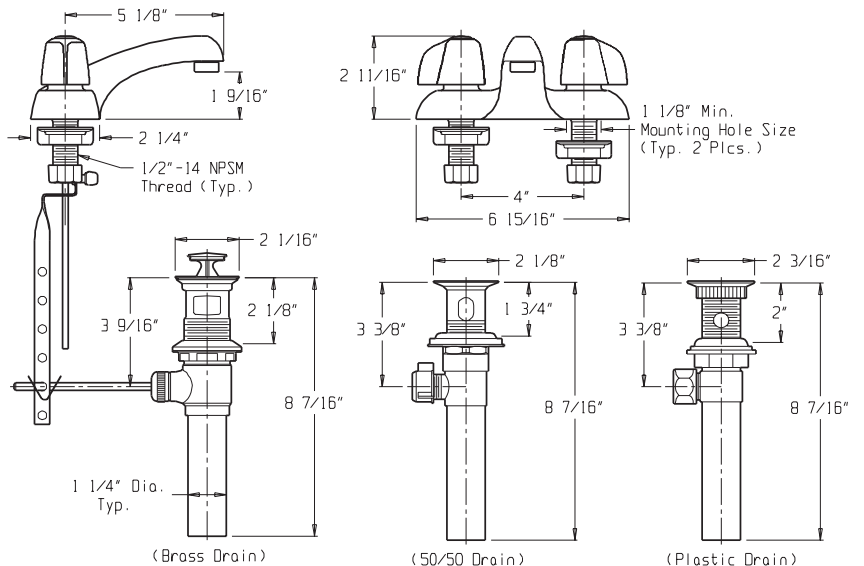
- 43-431 Brass Pop-up (Compression) 
- 43-432 Plastic Pop-up (Compression) 

Prefixes Available:

C0- Metal Handles, Ceramic Cartridges 
 For Less Handles, Ceramic Cartridges,
 See 53-100 Series

Suffixes Available

None



Job Name	
Date	
Model Specified	
Quantity	
Customer	
Contractor	
Architect/engineer	

GERBER®

PROFESSIONAL PERFORMANCE

Gerber Toll Free Technical Support: 888-648-6466
 www.gerberonline.com

