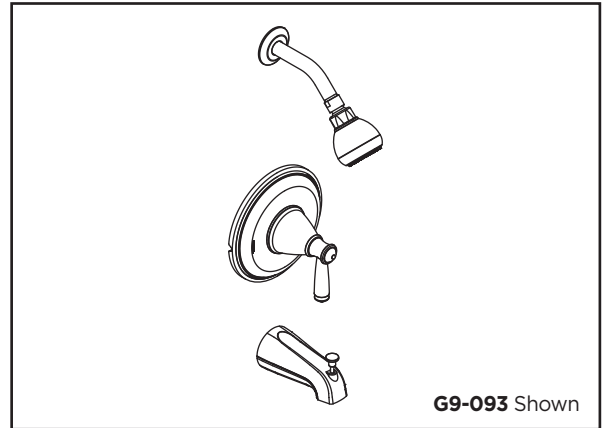




Features:

- Traditional styling
- 2 3/4" faceplate
- Shower at 2.5 gpm @ 80 psi
- Chrome and Brushed Nickel finishes
- Fit on Gerber *PLUS*™ washerless valves GS-315 series and ceramic valves GH-301, GH-305
- Single function showerhead
- Back to back capability
- Diverter tub spout in thread/slip combination
- 4 3/4" tub spout length
- Fully ADA compliant
- Limited Lifetime Warranty



Standards & Certifications:

- ASME A112.18.1M
- ANSI A117.1
- IAPMO/cUPC
- Mass Code

Catalog Numbers:

- G9-090** Single Handle and Flange Trim Kit, Chrome
- G9-090-BN** Single Handle and Flange Trim Kit, Brushed Nickel
- G9-092** Shower Only Trim Kit, Chrome
- G9-092-BN** Shower Only Trim Kit, Brushed Nickel
- G9-093** Tub/Shower Trim Kit, Chrome
- G9-093-BN** Tub/Shower Trim Kit, Brushed Nickel

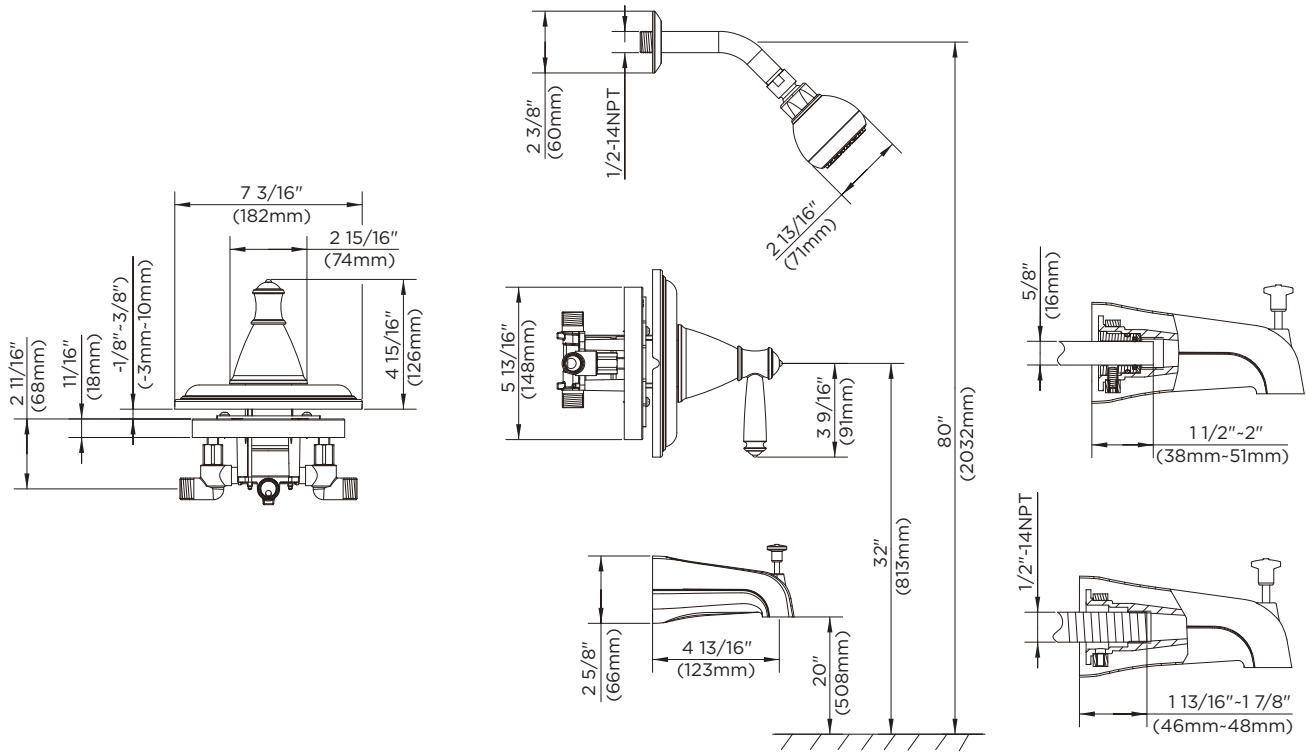
Prefixes Available:

None

Suffixes Available:

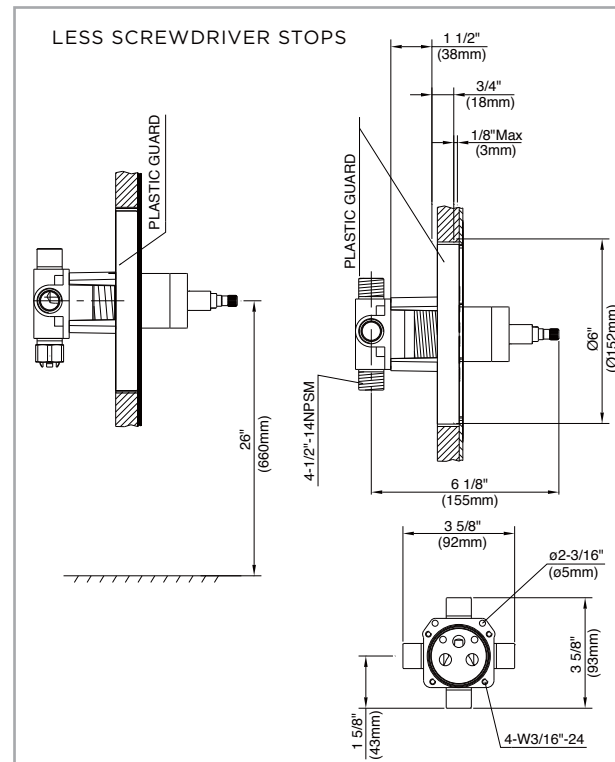
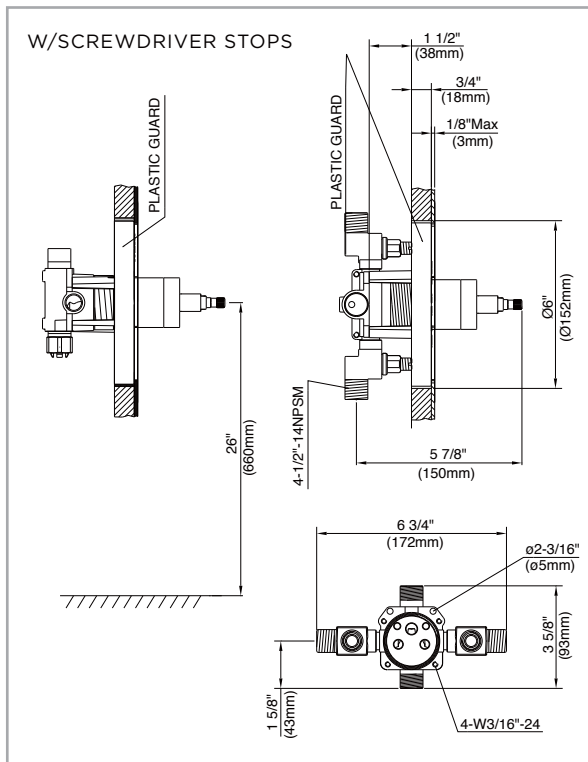
None

Job Name	
Date	
Model Specified	
Quantity	
Customer	
Contractor	
Architect/engineer	



SINGLE HANDLE PRESSURE BALANCE TUB & SHOWER VALVES

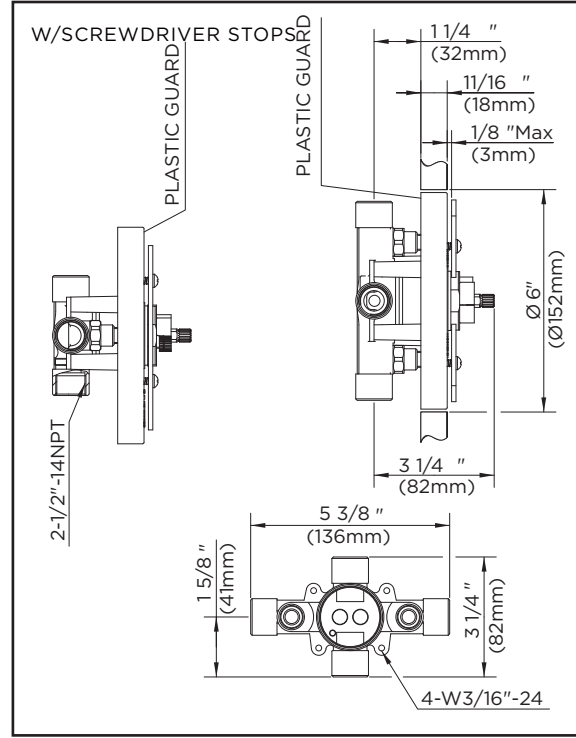
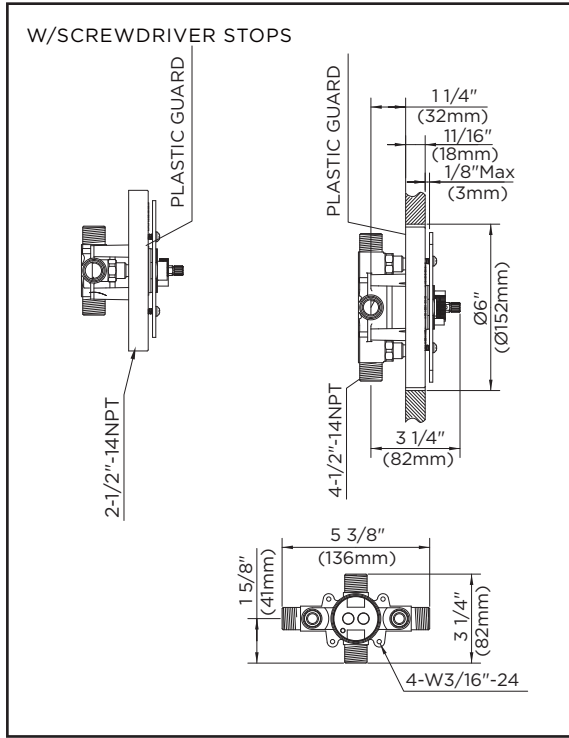
Critical Dimensions : Rough-in valve GH-305 (w/stops) & GH-301 (Less stops)





GERBER PLUS VALVES

Critical Dimensions : Rough-in valve GS-315 (PK) (w/stops) & GS-313-PK (w/stops)



Critical Dimensions : Rough-in valve GS-314-PK (w/stops) & GS-317-PK (w/stops)

