




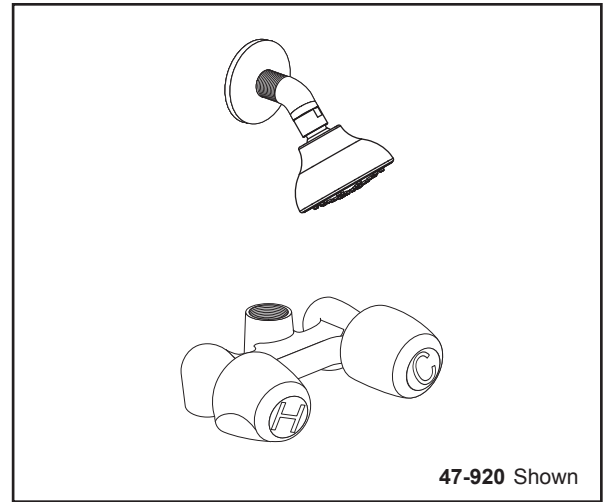
GERBER

47-900 Series Gerber Classics Two Handle Tub & Shower Fittings



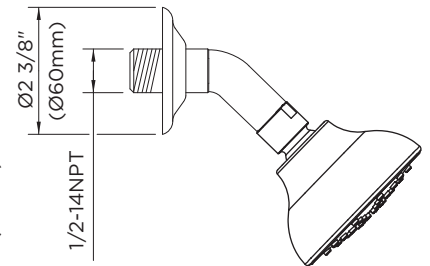
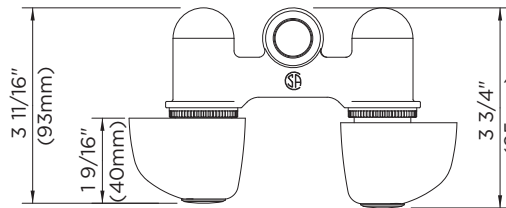
Features:

- Features compression cartridge
- Body cast of high copper content brass
- Exposed parts have heavy chrome plate finish
- Working parts can easily be replaced
- Single function showerhead 49-107 at max. 2.0GPM (7.6LPM) WaterSense listed 
- 1/2" I.P.S. or Sweat water inlet connections
- 3-3/8" Centers
- ADA compliant metal handles operate with less than 5 lbs. force
- Brass plug for tub filler outlet



Standards & Certifications:

- ANSI/ASME A112.18.1M
- ANSI A117.1 (ADA)
- IAPMO/cUPC



Catalog Numbers:

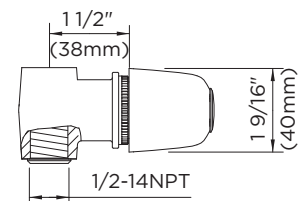
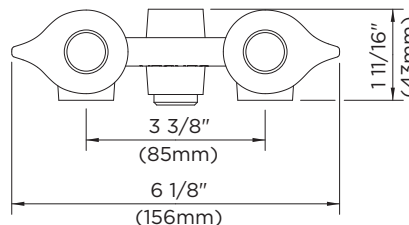
- 47-900** IPS/ (Chrome) less head, arm & flange
- 47-920** IPS/ (Chrome) regular head, shower arm
- 07-47-920** IPS/ (chrome) regular head, shower arm

Prefixes Available:

07-Metal Fluted Handles

Suffixes Available:

None



Job Name	
Date	
Model Specified	
Quantity	
Customer	
Contractor	
Architect/engineer	

Gerber Toll Free Technical Support: 888-648-6466
www.gerberonline.com