



Two Handle Tub Fittings

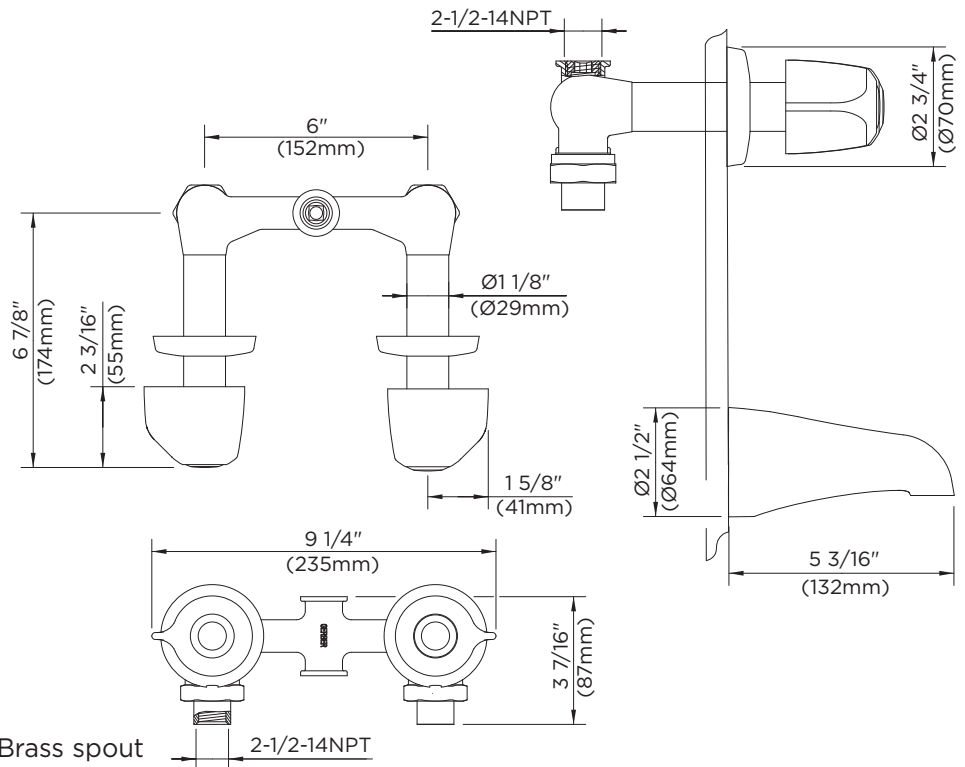
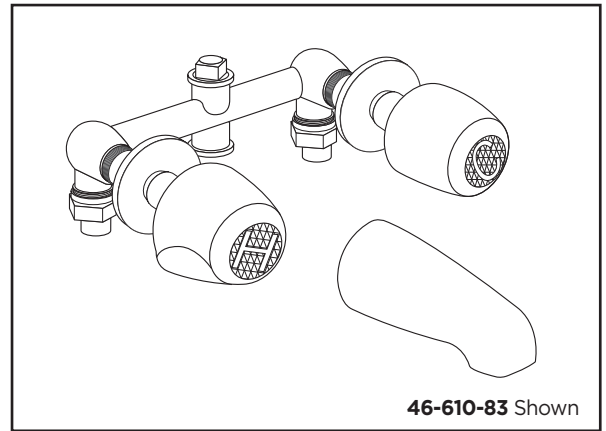


Features:

- Compression stems
- Body cast of high copper content brass
- Exposed parts have heavy chrome plated finish
- Working parts can be easily replaced
- 1/2" I.P.S. or 1/2" nominal copper sweat connections
- 6" centers with sliding sleeve escutcheons
- ADA compliant metal handles operate with less than 5 lbs. force
- Zinc die cast tub spout

Standards & Certifications:

- ANSI/ASME A112.18.1M
- ANSI A117.1 (ADA)
- IAPMO/cUPC
- MASS code



Catalog Numbers:

- 46-610-83** IPS/Sweat Chrome
- 46-610-83-86** IPS/Sweat Chrome/Brass spout

Prefixes Available:

None

Suffixes Available:

-86 Brass spout

Job Name	
Date	
Model Specified	
Quantity	
Customer	
Contractor	
Architect/engineer	