


SPECIFICATIONS

Features/Benefits



- 1.2 gpm (4.5 L/min) maximum aerator @ 60 psi
- Ball Valve
- 3 1/4" (82mm) Spout Height, 4" (101mm) Spout Length
- 3-hole installation
- 4 1/2" center to center installation range

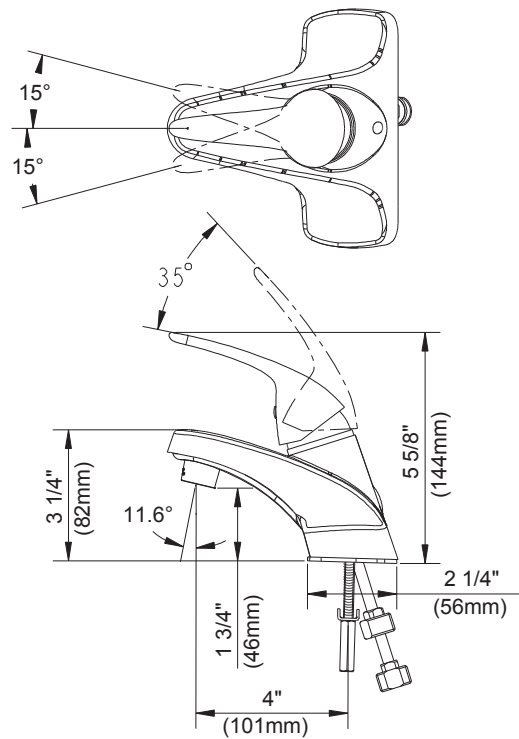
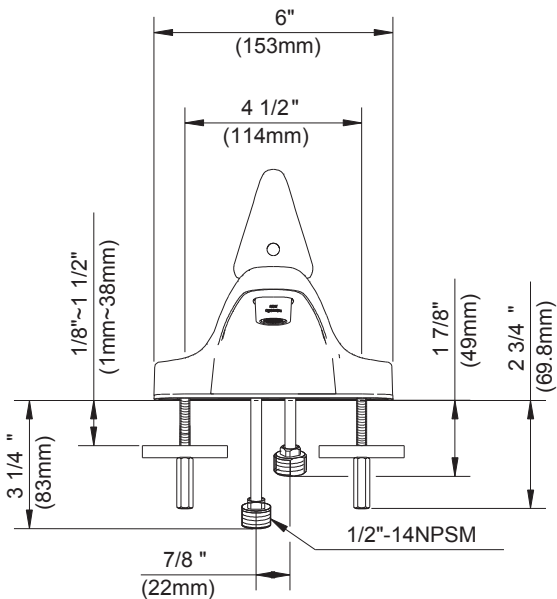
Available Color/Finishes

 Chrome
Please see gerber.com or current price list for available finishes. Finish is defined by additional suffix.

Catalog Numbers

40-113-W (G0040113W) Less Drain Assembly

Standards & Certifications



Submittal Information:

Name: _____
Location: _____

Contractor: _____
Contact #: _____