



GERBER

40-025

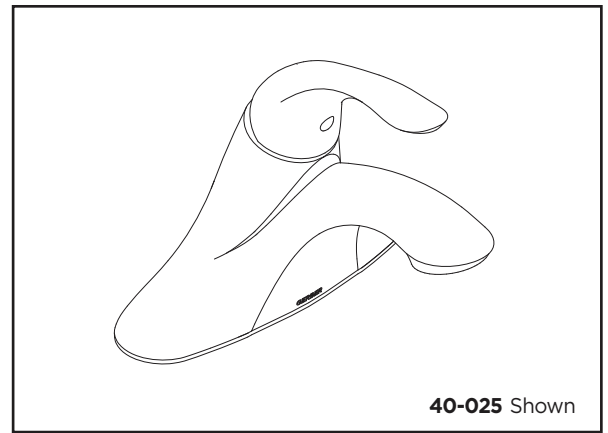
Viper™

Single Handle Lavatory Faucet



Features:

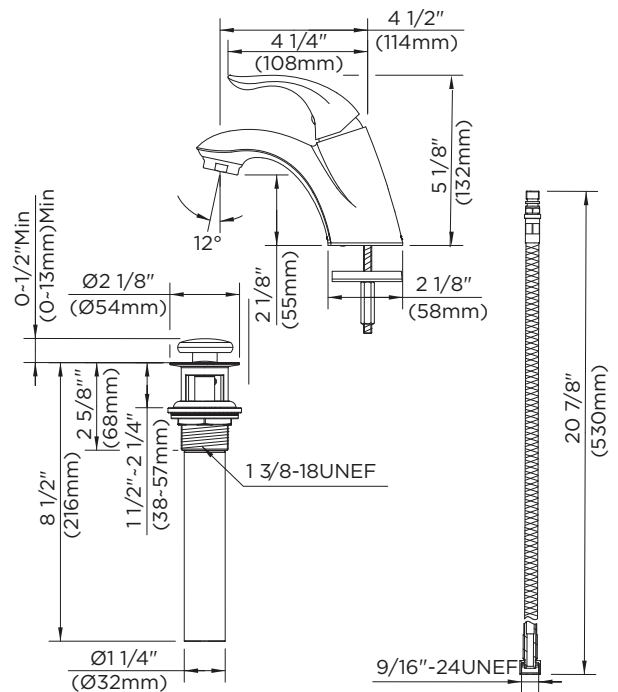
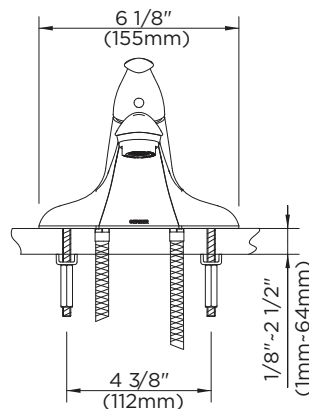
- Three hole installation
- Ceramic disc cartridge GA507906N
- Includes 50/50 touch down drain GA505219P with color-matching cap and black tailpiece
- 4" center to center installation range
- Chrome or brushed nickel finish
- 1.2 gpm (4.5L/min) pressure compensating aerator GA50096654N @ 60 psi
- Lead free waterway per NSF/ANSI 372
- Fully ADA compliant
- Limited lifetime warranty
- Meets CEC requirements



40-025 Shown

Standards & Certifications:

- ASME A112.18.1M
- NSF/ANSI 372
- IAPMO/cUPC
- ICC/ANSI A117.1
- Mass Code
- EPA/WaterSense



Catalog Numbers:

- 40-025 Chrome
- 40-025-BN Brushed Nickel

Prefixes Available:

None

Suffixes Available:

- BN Brushed Nickel

Job Name	
Date	
Model Specified	
Quantity	
Customer	
Contractor	
Architect/engineer	

Gerber Toll Free Technical Support: 1-888-648-6466
www.gerberonline.com