



# GERBER

VITREOUS CHINA  
TOILET  
**20-022**

LAVATORIES

TOILETS

BIDETS / URINALS

CAST IRON



## Maxwell® 1.28 ErgoHeight™ Compact Elongated Back Outlet Toilet

4 1/4" vertical

### Features:

- 1.28 gpf/4.8 Lpf high efficiency two-piece toilet
- Floor mount back outlet
- Elongated ErgoHeight™ bowl
- Compact design fits in round front space
- Dual-fed siphon jet
- Fluidmaster® fill valve
- 3" flush valve
- Color matched tank lever
- Available in White
- 2 bolt caps
- ADA compliant
- Toilet seat not included

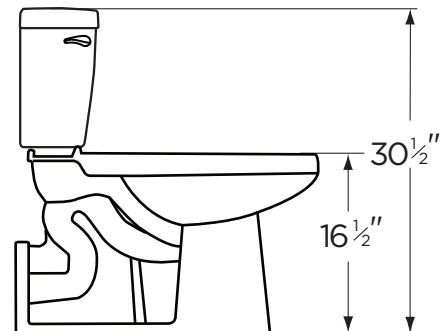
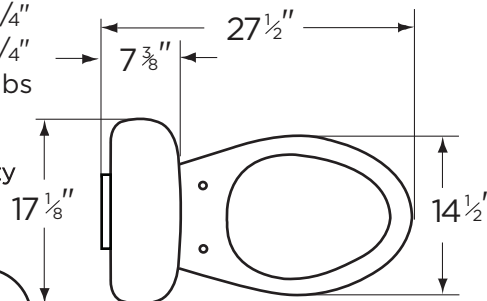


**Specifications:** Bowl—#21-975 Elongated Bowl

Tank—#28-980

### Dimensions:

- Height .....30 1/2"
- Width .....17 1/8"
- Depth .....27 1/2"
- Rough-in .....4 1/4"
- Water Surface from Rim ..... 5 1/8"
- Trapway (ave) ..... N/A
- Trapway (min) ..... 2"
- Water Surface .....9 5/8"x 7 3/4"
- Water Seal .....2 1/4"
- Shipping Weight .....82 lbs



### Warranty:

- 5 year, limited lifetime warranty

THIS FIXTURE QUALIFIES ACCORDING TO ASME TEST PROCEDURES AS A HIGH EFFICIENCY WATER CLOSET WITH AN AVERAGE CONSUMPTION OF 1.28 gpf (4.8 Lpf) OR LESS.



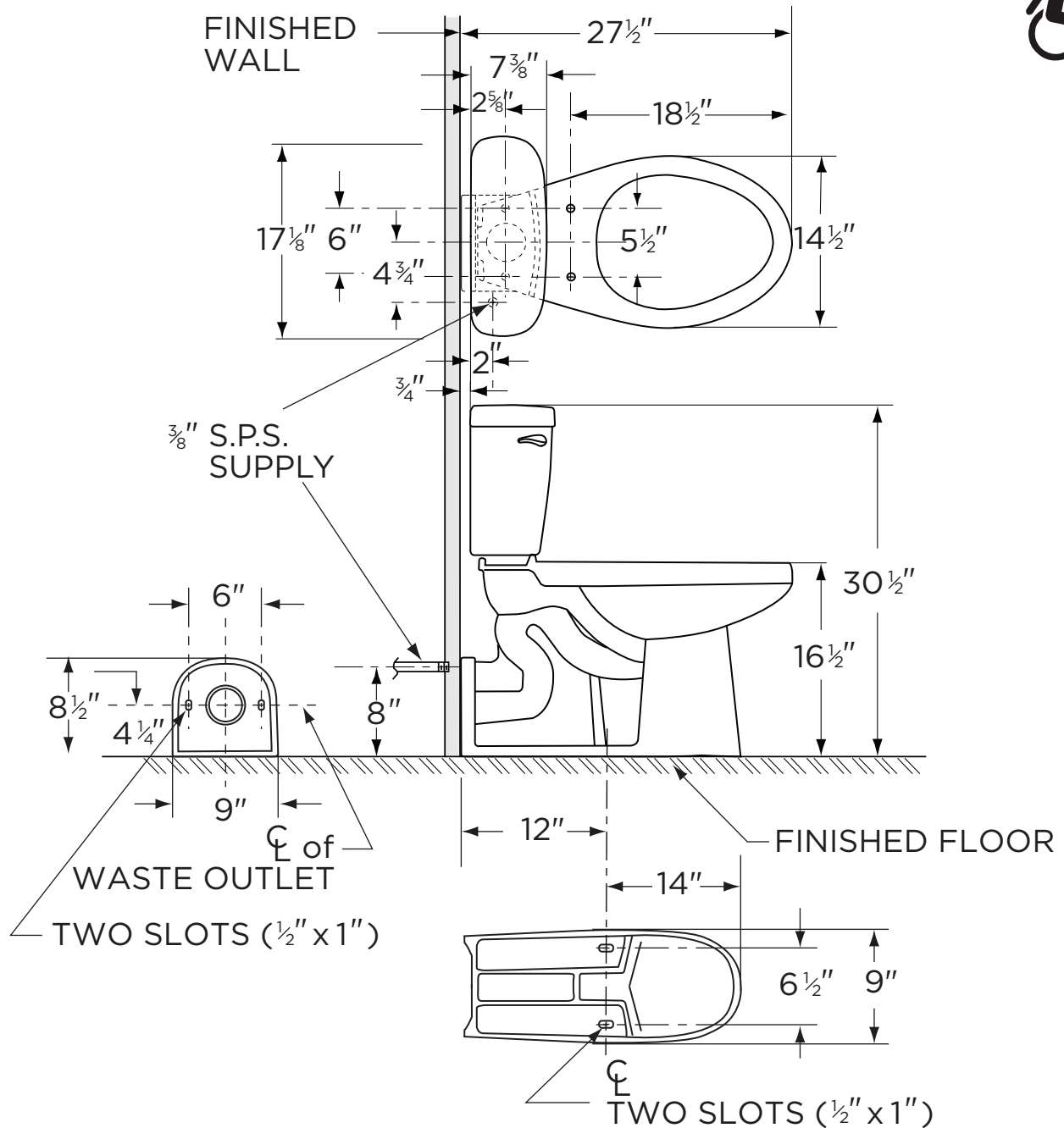
www.gerberonline.com

Job Name	
Date	
Model Specified	
Quantity	
Customer	
Contractor	
Architect/engineer	



# GERBER

1.28 gpf (4.8 Lpf) MAXWELL® TOILET  
20-022  
Compact Elongated Back Outlet  
(Bowl 21-975 with Tank 28-980)



**NOTES:**

All dimensions are in inches.

Illustrations may not be drawn to scale.

**IMPORTANT:**

Dimensions of fixtures are nominal and may vary within the range of tolerances established by ASME Standard A 112.19.2.

THIS FIXTURE QUALIFIES ACCORDING TO ASME TEST PROCEDURES AS A HIGH EFFICIENCY WATER CLOSET WITH AN AVERAGE CONSUMPTION OF 1.28 gpf (4.8 Lpf) OR LESS.