



VITREOUS CHINA

TOILET  
**SE-21-117**

LAVATORIES

TOILETS

BIDETS / URINALS

CAST IRON



# MAXWELL® SE ErgoHeight™ 17" High Elongated Toilet

10" Rough-in

### Features:

- 1.6 gpf/6 Lpf two-piece toilet
- Elongated ErgoHeight bowl
- Dual-fed siphon jet
- 2" flush valve
- Color matched front tank lever (White only)
- Available in White only
- 2 bolt caps
- ADA Compliant

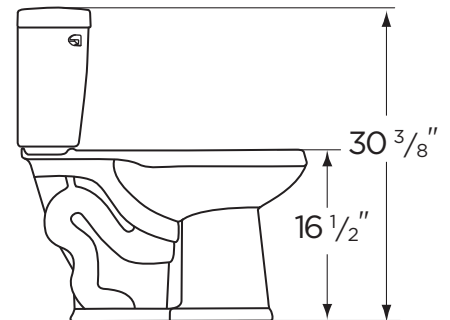
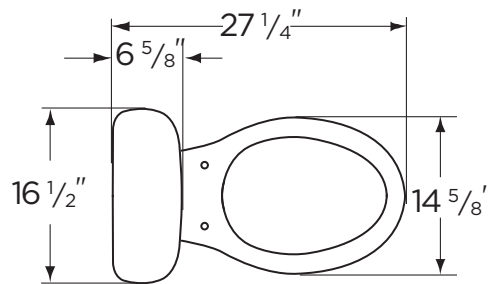
### Dimensions:

- Height ..... 30 3/8"
- Width ..... 16 1/2"
- Depth ..... 27 1/4"
- Rough-in ..... 10"
- Water Surface from Rim ..... 6"
- Trapway ..... 1 3/4"
- Water Surface ..... 10 3/8" x 7 3/4"
- Water Seal ..... 2 1/4"
- Shipping Weight ..... 73.5 lbs



**Specifications:** Bowl—#21-128 Elongated Bowl  
Seat not included

Tank—#28-175



THIS FIXTURE QUALIFIES ACCORDING TO ASME TEST PROCEDURES AS A LOW CONSUMPTION WATER CLOSET WITH AN AVERAGE CONSUMPTION OF 1.6 gpf (6Lpf) OR LESS.



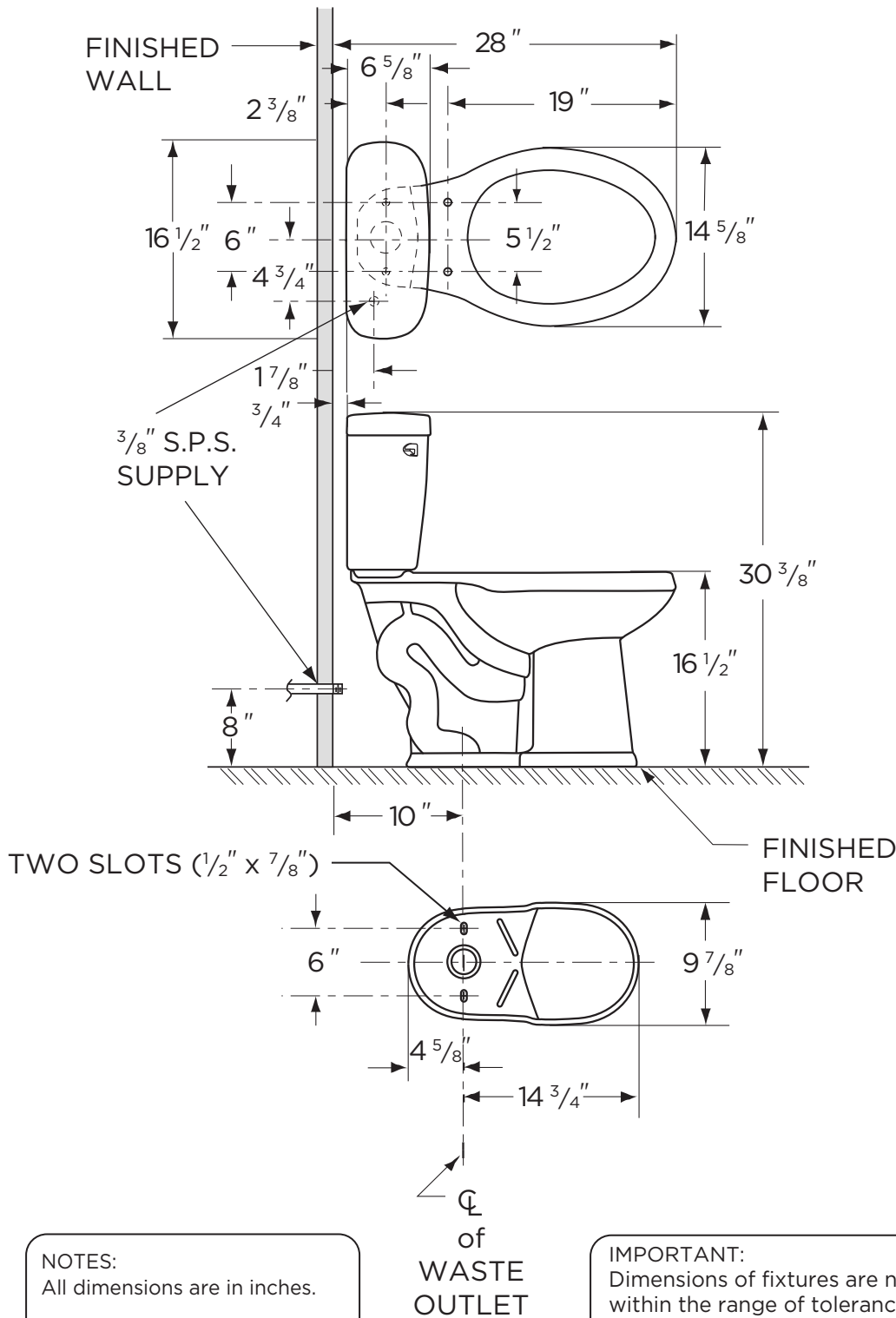
[www.gerberonline.com](http://www.gerberonline.com)

Job Name	
Date	
Model Specified	
Quantity	
Customer	
Contractor	
Architect/engineer	



# 1.6 gpf (6 Lpf) MAXWELL® SE TOILET

SE-21-117  
17" High Elongated, 10" Rough-in  
(Bowl 21-128 with Tank 28-175)



**NOTES:**  
All dimensions are in inches.  
Illustrations may not be drawn to scale.

**IMPORTANT:**  
Dimensions of fixtures are nominal and may vary within the range of tolerances established by ASME Standard A 112.19.2.  
THIS FIXTURE QUALIFIES ACCORDING TO ASME TEST PROCEDURES AS A LOW CONSUMPTION WATER CLOSET WITH AN AVERAGE CONSUMPTION OF 1.6 gpf (6Lpf) OR LESS.