



GERBER

www.gerberonline.com

Wicker Park™ Semi-Recessed Lavatory

□ 12-825-SP

Features:

- Vitreous China
- Self-rimming lavatory for semi-recessed installation
- Space saving design
- Installs on a minimum countertop depth of 13 1/2"
- Rear Overflow
- 21 3/8" x 17 5/8" rectangular lavatories
- 1 hole (12-822)
- 4" centers (12-825)
- ADA Compliant
- Overpacked with protective cushioning to prevent breakage



12-825 Lavatory
Shown

Fixtures:

Models	12-822-SP	12-825-SP
Configuration	Single Hole	4" Centers
	Semi-Recessed	
Height	6 3/8"	
Width	21 3/8"	
Depth	17 5/8"	
Inside Basin Dimensions	16 3/4" x 10 3/8"	
Shipping Weight	19 lbs	

Accessories:

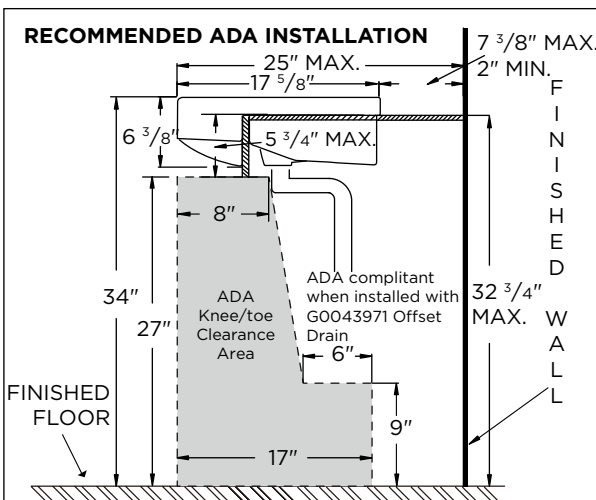
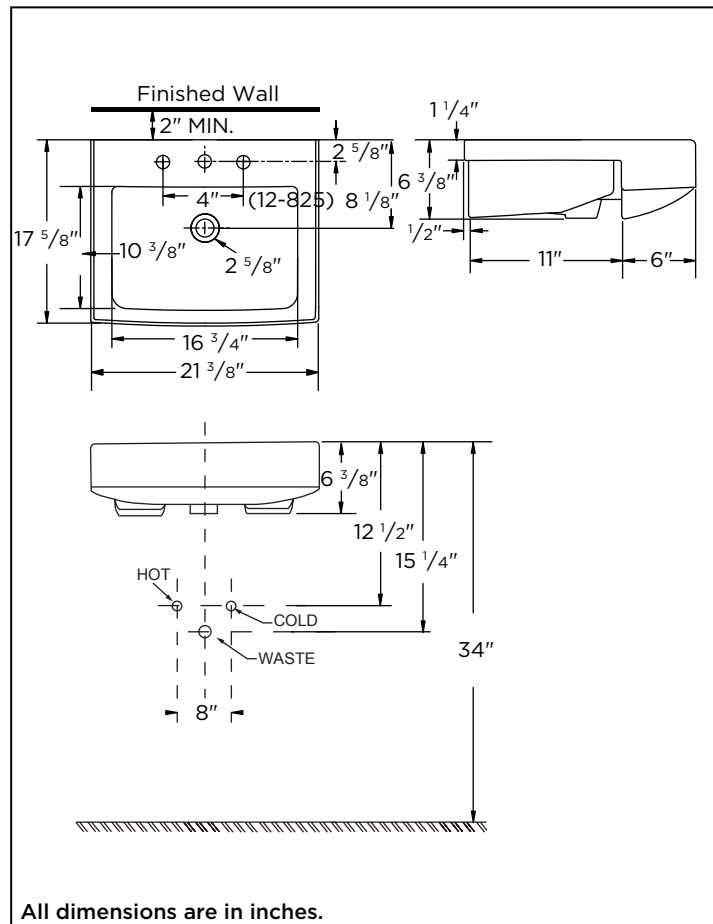
- None

Colors/Finishes:

- White Only

Warranty:

- Limited Lifetime Warranty; Five (5) Year Limited Warranty on other Parts



NOTES: Illustrations may not be drawn to scale.

* Dimensions shown for locations of supply lines and "P" trap are suggested.

IMPORTANT:

Dimensions of fixtures are nominal and may vary within the range of tolerances established by ASME standard A 112.19.2