



VITREOUS CHINA

TOILET  
**DF-21-118**

LAVATORIES

TOILETS

BIDETS / URINALS

CAST IRON



# MAXWELL® DUAL FLUSH ErgoHeight™ 16 1/2" High Elongated Toilet

12" Rough-in



### Features:

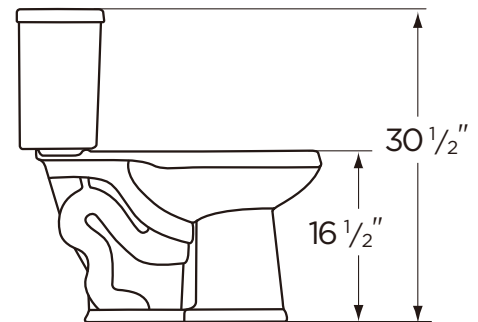
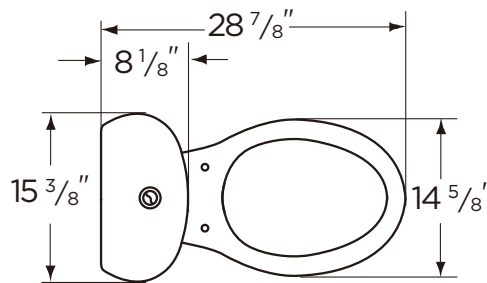
- Dual Flush 1.1/1.6 gpf (4.0/6.0 Lpf)
- High Efficiency Toilet (HET)
- ADA, Elongated Front Bowl
- Glazed Trapway
- Reverse Trap
- Front Jet Flushing Action
- Top Mounted, Two-button Actuator
- Syphonic Flush Action Keeps Bowl Clean
- Available in White and Biscuit
- 2 Bolt Caps



### Dimensions:

- Height ..... 30 1/2"
- Width ..... 15 3/8"
- Depth ..... 28 7/8"
- Rough-in ..... 12"
- Water Surface from Rim ..... 6"
- Trapway ..... 1 3/4"
- Water Surface ..... 10 3/8" x 7 3/4"
- Water Seal ..... 2 1/4"
- Shipping Weight ..... 71.5 lbs

**Specifications:** Bowl—#21-128 Elongated Bowl      Tank—#DF-28-190  
Seat not included



THIS FIXTURE QUALIFIES  
ACCORDING TO ASME TEST  
PROCEDURES AS A HIGH-  
EFFICIENCY WATER CLOSET  
WITH AN AVERAGE CONSUMPTION  
OF 1.28 gpf (4.8 Lpf) OR LESS.



www.gerberonline.com

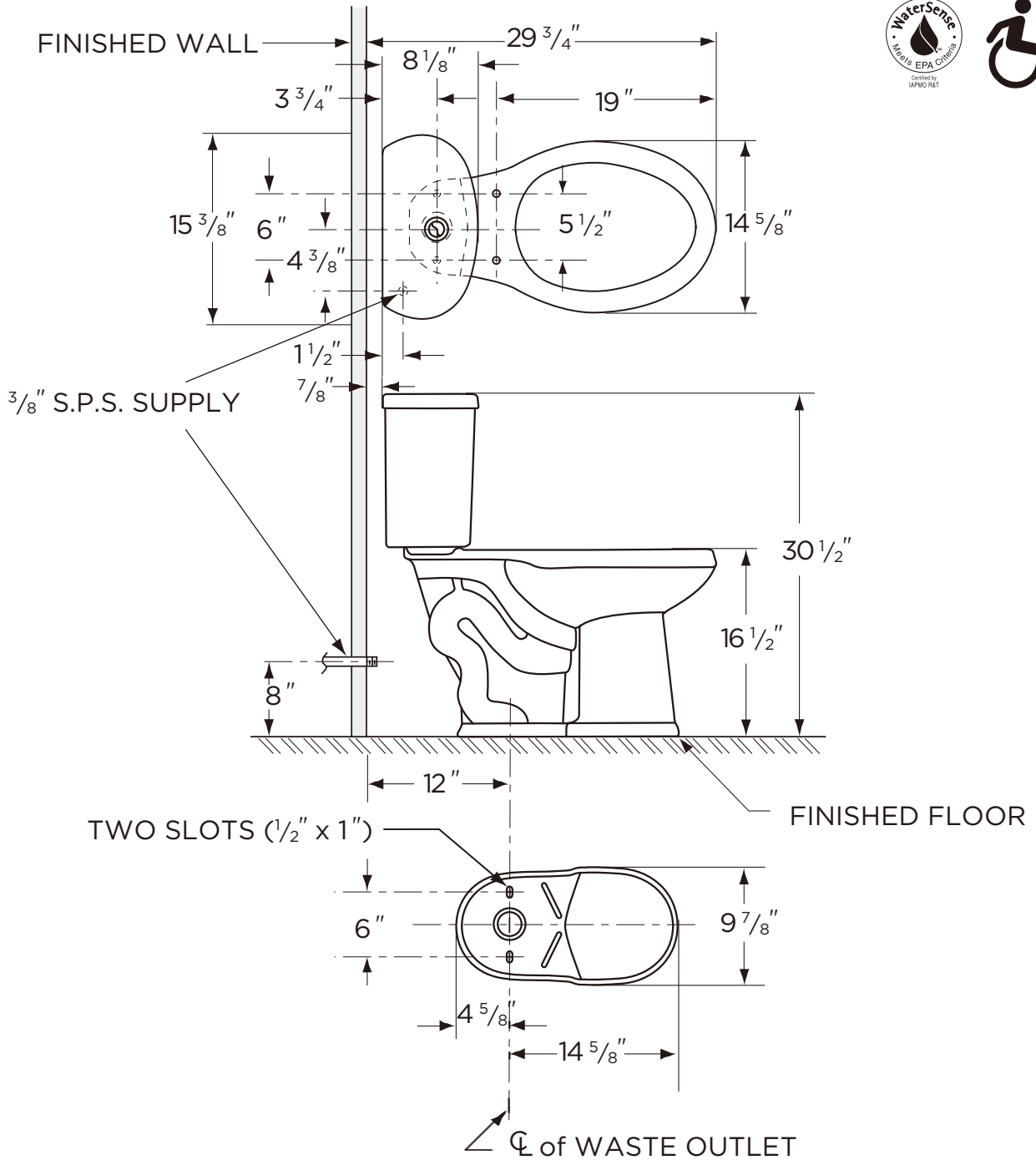
Job Name	
Date	
Model Specified	
Quantity	
Customer	
Contractor	
Architect/engineer	



1.1/1.6 gpf (4.0/6.0 Lpf) MAXWELL® DUAL-FLUSH TOILET

DF-21-118

16 1/2" High Elongated, 12" Rough-in  
(Bowl 21-128 with Tank DF-28-190)



NOTES:  
All dimensions are in inches.

Illustrations may not be drawn to scale.

IMPORTANT:

Dimensions of fixtures are nominal and may vary within the range of tolerances established by ASME Standard A 112.19.2.

THIS FIXTURE QUALIFIES ACCORDING TO ASME TEST PROCEDURES AS A HIGH-EFFICIENCY WATER CLOSET WITH AN AVERAGE CONSUMPTION OF 1.28 gpf (4.8 Lpf) OR LESS.