


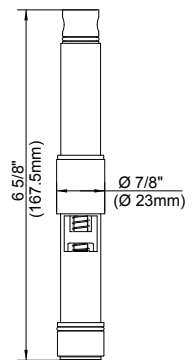
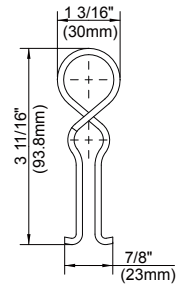
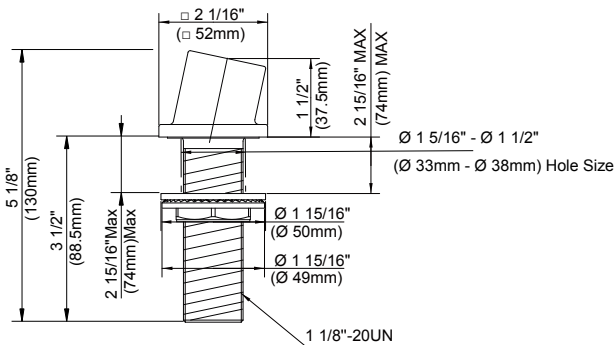
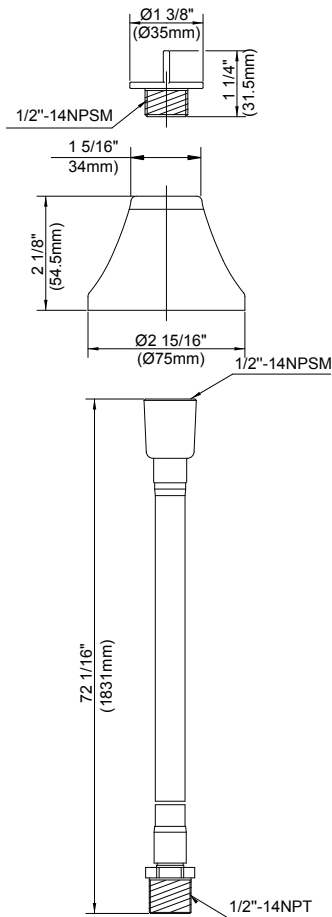
SPECIFICATIONS

Features/Benefits

- Includes Hose, Holder and Diverter
- Fits Personal Spray D492120
- Includes Protection Cap for Rough-In Until Personal Spray Installed
- Coordinates with Avian™, Mid-Town® and Sirius® Collections

Available Color/Finishes

Color	Description
	Chrome
Please see danze.com or current price list for available finishes.	
Finish is defined by additional suffix.	



Submittal Information:

Name: _____
Location: _____

Contractor: _____
Contact #: _____