

SPECIFICATIONS

PARMA™ HANDSHOWER

Model

D462033

Description

- 5 function handshower: wide, centerjet, aeration, massage and wide + centerjet
- Check valve included for backflow prevention Ω
- Dual valve technology
- Easy clean jets
- Uses 20% less water than a standard handshower flowing at 2.5 gpm
- 2.0gpm (7.6 L/min) maximum flow rate @80psi

Standards



• UPC/cUPC



• ASME A112.18.1M/ A112.18.1

WaterSense Pending

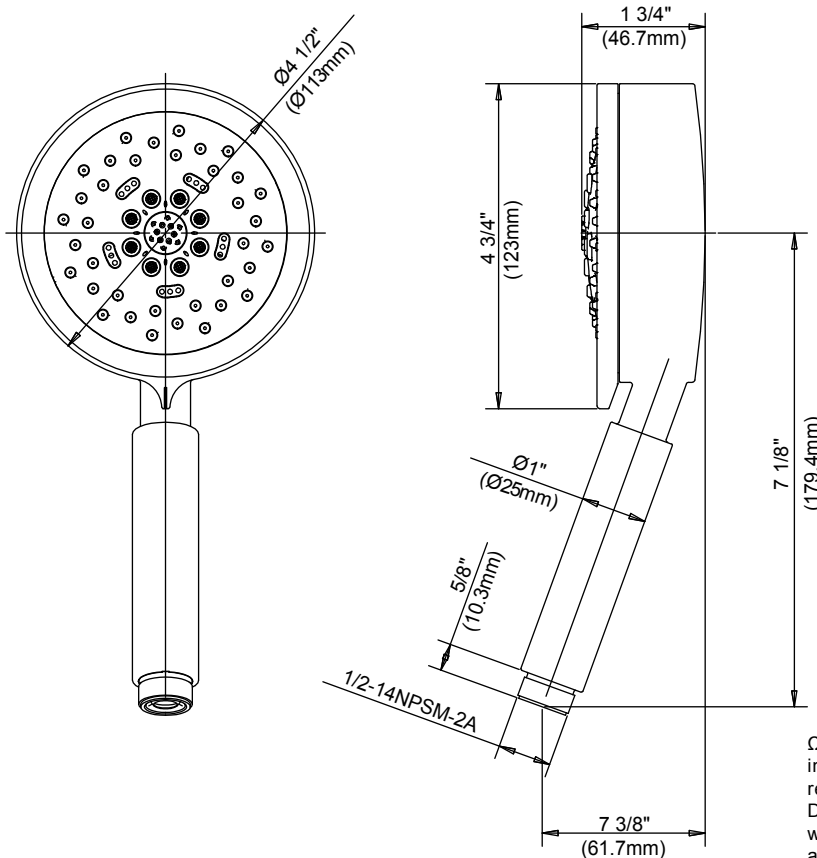
Warranty

Danze products are covered by a manufacturer's limited "lifetime" warranty for manufacturing defects.



Finishes Available

- Chrome
- Other: Refer to Price List for additional finish



Ω-Your Danze Handshower Assemblies contain two integral check valves which individually meet the requirements of ASME 112.18.3 Performance Devices and Systems in Plumbing Fixtures & Fittings which is referenced in ASME 112.18.1. Check valves are located in the handshower handle and the hose.

Submittal Information:

Job Name: _____

Location: _____

Contractor: _____

Contact #: _____