

SPECIFICATIONS


Features/Benefits

- 2.5 gpm (9.5 L/min) Max Flow @ 80 psi
- Single Function Showerhead
- Pressure Manifold™ Technology Maximizes Performance
- Air Injection™ Technology
- Brass Ball Joint with Polymer Shell
- Easy Clean Nozzles



Available Color/Finishes

Color	Description
-------	-------------

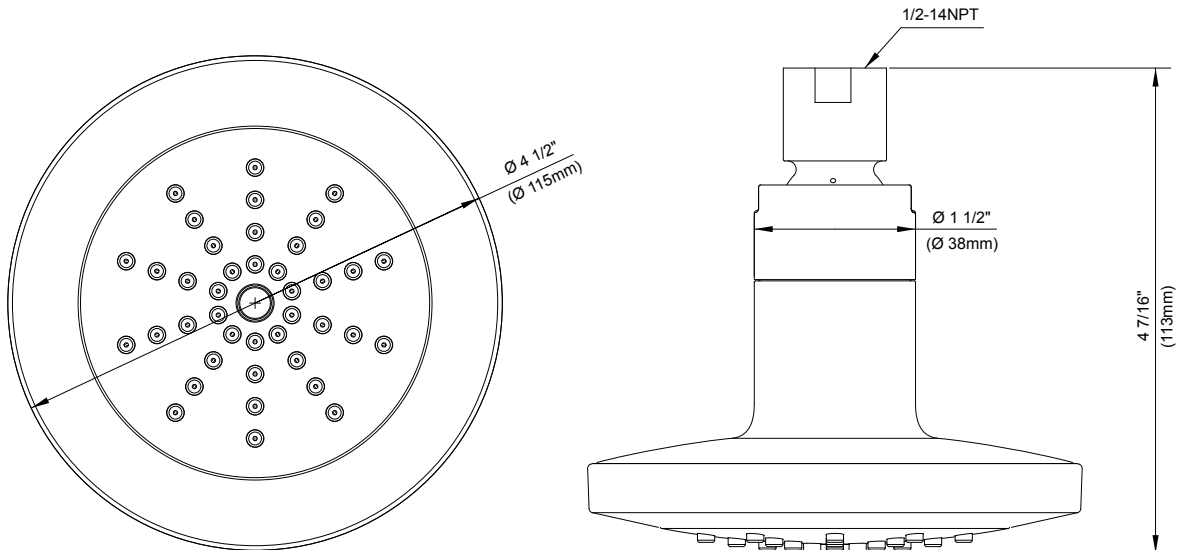
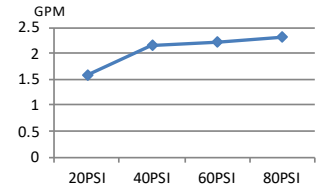
	Chrome
---	--------

Please see danze.com or current price list for available finishes.
Finish is defined by additional suffix.

Standards & Certifications



Flow Rate



Submittal Information:

Name: _____
Location: _____

Contractor: _____
Contact #: _____