

**SPECIFICATIONS**

**Features/Benefits**

- 1.75 gpm (6.6 L/min) Max Flow @ 80 psi (D460034)
- 2.0 gpm (7.6 L/min) Max Flow @ 80 psi (D460035)
- 5 Functions: Wide, Centerjet, Aeration, Massage and Wide + Centerjet
- Brass Ball Joint with Polymer Shell
- Air Injection™ Technology
- Dual Valve™ Technology Optimizes Water Flow
- Easy-Glide™ Selector Ring
- Easy Clean Nozzles



**Available Color/Finishes**

Color	Description
-------	-------------

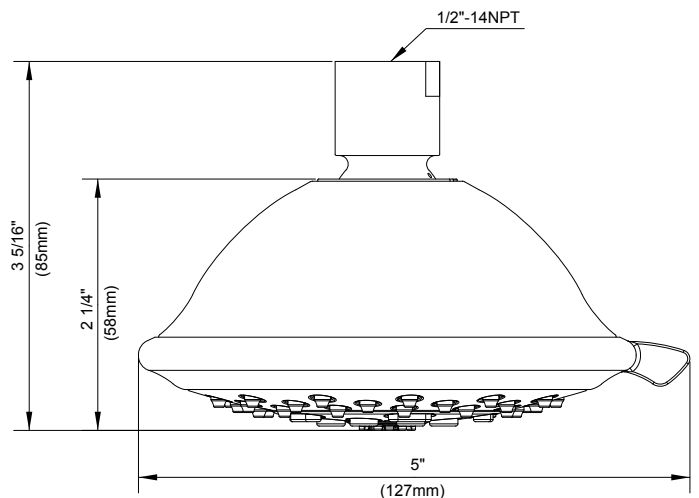
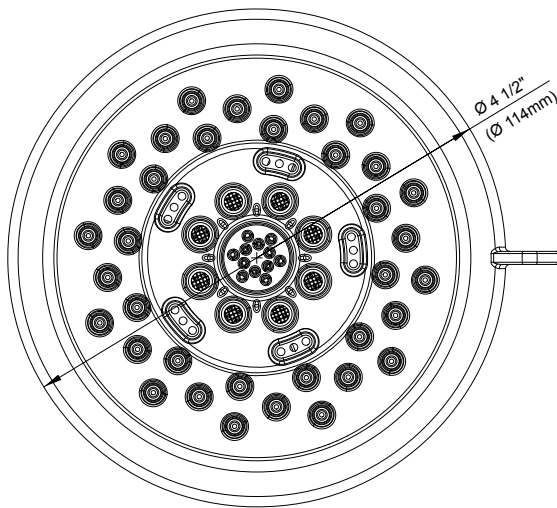
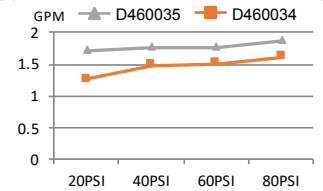
Chrome

Please see [gerberonline.com](http://gerberonline.com) or current price list for available finishes. Finish is defined by additional suffix.

**Standards & Certifications**



**Flow Rate**



**Submittal Information:**

Name: \_\_\_\_\_  
 Location: \_\_\_\_\_

Contractor: \_\_\_\_\_  
 Contact #: \_\_\_\_\_