

SPECIFICATIONS



Features/Benefits

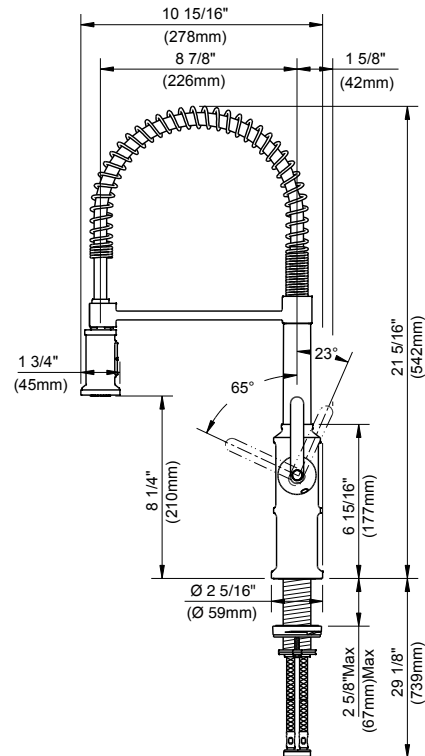
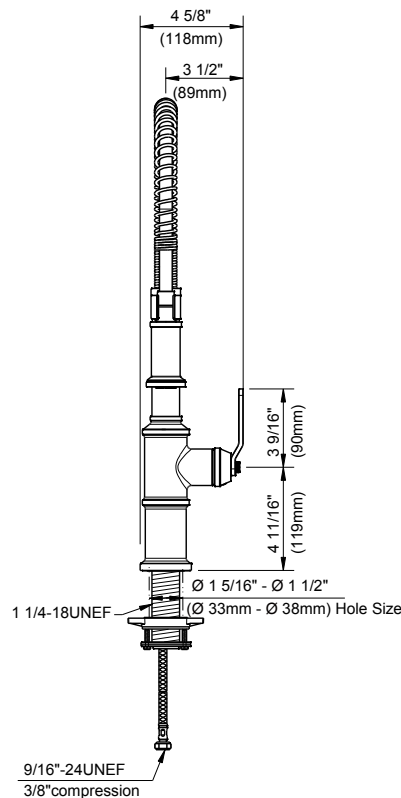
- Spring-Action Spray Wand
- 21 5/16" Spout Height, 8 7/8" Spout Reach
- 1.75 gpm (6.6 L/min) Max Flow @ 60 psi (Sprayhead GA56804750N)
- 1.5 gpm (5.7 L/min) Max Flow @ 60 psi (Sprayhead GA56804752N)
- Twist-Action 2 Function Spray/Aerated Stream
- Ceramic Disc Cartridge
- 360 Degree Swivel Spout
- Single Hole Installation
- Optional Deck Plate, DA665051 Sold Separately for 3-Hole Applications

Available Color/Finishes

Chrome

Please see gerberonline.com or current price list for available finishes. Finish is defined by additional suffix.

Standards & Certifications



Submittal Information:

Name: _____
 Location: _____

Contractor: _____
 Contact #: _____