



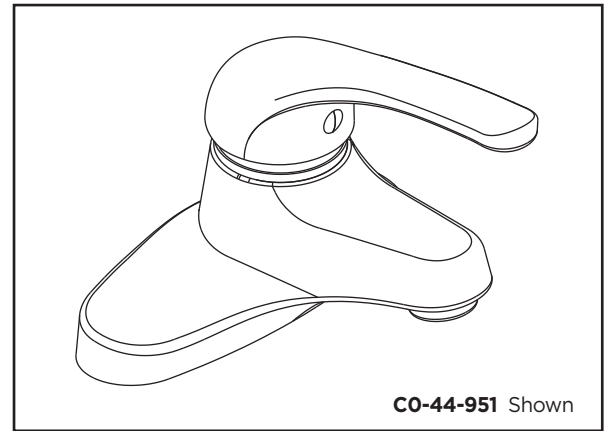
GERBER

CO-44-951 Series Commercial Faucet Single Handle Lavatory Faucet



Features:

- Solid cast brass housing
- Vandal proof metal lever handles
- Ceramic disc cartridge G0092298
- 4" centers for mounting
- 0.5 gpm (1.9L/min) maximum aerator G0097297 @ 60 psi
- 1/2" NPSM supply connection w/brass coupling nuts
- Max. 1 3/8" deck thickness
- Lead free waterway per NSF/ANSI 372
- Fully ADA compliant
- Limited lifetime warranty
- Meets CEC requirements



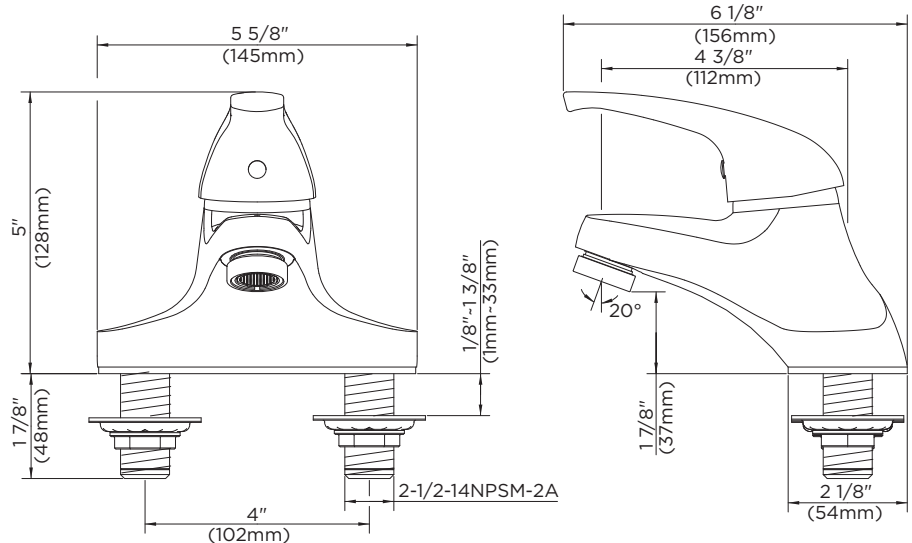
CO-44-951 Shown

Standards & Certifications:

- ASME A112.18.1M
- NSF/ANSI 372
- IAPMO/cUPC
- ICC/ANSI A117.1
- Mass Code
- WaterSense Pending

Catalog Numbers:

- CO-44-951** Less Drain Assembly
CO-44-932 With Brass Grid Strainer



Prefixes Available:

CO = Metal Lever Handle

Suffixes Available:

None

Job Name	
Date	
Model Specified	
Quantity	
Customer	
Contractor	
Architect/engineer	

Gerber Toll Free Technical Support: 888-648-6466
www.gerberonline.com